

PARTS CATALOGUE

MODEL YEAR 1997

YZF600

YZF600RJ(5AH1) U49

YZF600RJC(5HA2) CALIFORNIA

STARTING VIN (5AH1): JYA5AHE0*VA000135 and following
STARTING VIN (5HA2): JYA5AHC0*VA000135 and following

Color Code	Color-Rite Code	Color Name	Abbreviation
004B	5492+ 1/1492	BLACK 2	BW2
006M	5185	STAR SILVER	SS
0564	5815	DEEP PURPLISH BLUE METALLIC C	DPBMC
0121	5335/1065	VIVID RED COCKTAIL 1	VRC1

OWNERS LIT-11626-10-55

ASSEMBLY LIT-11666-10-55

SERVICE LIT-11616-10-55

FOREWORD

-INTRODUCTION- To The Yamaha Parts Fiche

This parts fiche lists parts and sub-assemblies for the .YZF600RJ/RJC. When preparing a parts order, please refer to the most recently updated microfiche for this model.

THE YAMAHA PARTS FICHE

SYMBOLS

[]	Inactive, no longer available
U.R.	Use size (thickness) and/or number as required
U.N.	Use as many as you need
T	Number of teeth in a gear
V	Voltage for light bulbs
S	"S" type oil seal or "S" type circlip
SD,SO,SW	"SD", "SO", or "SW" type oil seal
E,R	"E" or "R" type circlip
F/No.	Frame No. (Applicable Machine No.)
L.M.	Locally made
O.L.	Obtain locally
AP	Alternate Part

SUPERSEDED PART NUMBERS

If part 'A' has been superseded by part 'B', the superseding part number "B" will appear in the part number listing with the superseded part number "A" appearing in parentheses immediately following the description.

EXAMPLE:

Ref. No.	Part No.	Description	Qty.
8	(Part 'B') 123-45678-00-00	(Part 'A') CYLINDER (111-12345-00-00)	1

A part that has been supersede to a kit may be identified by a 99999-00000-00 part number appearing in the part number column. The old superseded part number will appear in parentheses immediately following the description. Listed directly below the 99999 part number will be those parts making up the kit. The description of the parts making up the kit will be preceded by a small black dot (.) and the description will be indented one letter space.

EXAMPLE:

Ref. No.	Part No.	Description	Qty.
8	99999-12345-00	CYLINDER (111-12345-00-00)	1
	234-56789-00-00	• HEAD, CYLINDER	1

SIZES

Except for steel balls (ball sizes are indicated in inches), all parts sizes are indicated in millimeters as in the following examples:

Hose (Rubber or Vinyl)	Inside Diameter - Length
O-Ring	Section Area - Inside Diameter
Washer, Shim, Collar	Inside Diameter - Outside Diameter Thickness (Length)

ASSEMBLIES AND COMPONENT PARTS

Assemblies and their component parts, are identified by an indentation of one letter space, and the description is preceded by a dot (.). If two main assemblies are listed, and have the same basic description (i.e.: left and right sides of the same assembly), one will immediately follow the other. If each of these main assemblies is made up of almost the same components, these component parts will be listed immediately under the second main assembly line and will be indicated, as noted above.

If the component is the same for both main assemblies, the quantity indicated will be the total required. If the component is not the same for both main assemblies, the quantity for each separate item will be listed separately.

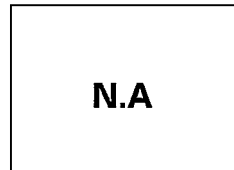
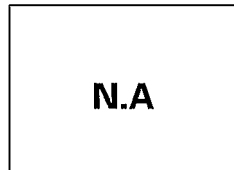
EXAMPLE:

Description	Qty
CARBURETOR ASSY, LEFT	1
CARBURETOR ASSY, RIGHT	1
. JET, PILOT	2
. NOZZLE, MAIN	2
. LEVER, STARTER, LEFT	1
. LEVER, STARTER, RIGHT	1

APPLICABLE SERIAL NO.

(1) Engine Serial No.

(2) Frame Serial No.

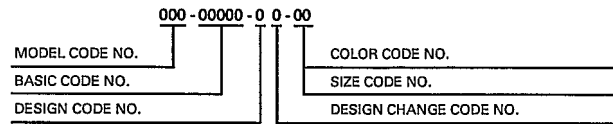


FOREWORD

THE YAMAHA PART NUMBER

The Yamaha part number consists of 12 digits. Each number represents a specific piece of information relating to a replacement part. The following is a guide for reading and interpreting the Yamaha part number.

BASIC PART NUMBER CONFIGURATION:



MODEL CODE NUMBER

FIRST THREE DIGITS . . . 000-00000-00-00

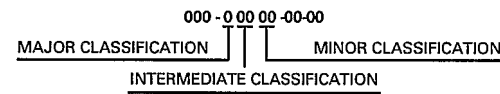
Every model in each Yamaha product line is assigned a model number to identify that particular model. All component parts are given the model code number relating to the model on which they were first used.

Example: 4DU-00000-00-00 identifies the XJ600SE.
3FA-00000-00-00 identifies the YFA1E.

BASIC CODE NUMBER

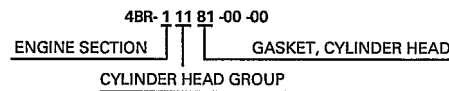
MIDDLE FIVE DIGITS . . . 000-00000-00-00

These "Middle Five Digits" indicate the type of part i.e., piston, rings, lower units, etc. The five digits are broken down as follows:



The "Major Classification" indicates the section to which the parts belong, i.e., engine, electrical etc. The "Intermediate" and "Minor Classifications" indicate more specific details.

Example:



DESIGN CODE NUMBER: 000-00000-00-00

The design code distinguishes like component parts from one another when specification differences are involved. For example, distinguishing a standard size piston ring from an oversized piston ring.

Example:

4BR-11610-0 0 -00 Standard Piston Ring Set for XJ600SE
4BR-11610-2 0 -00 Oversize Piston Ring Set for XJ600SE

DESIGN CHANGE CODE NUMBER: 000-00000-00-00

This code number is used to identify a difference between a new component part and old one when a new part is created by changing the old one.

Example: YFZ350E

2GU-11610-0 0 -00 PISTON RING SET, STD. - ORIGINAL
2GU-11610-0 1 -00 PISTON RING SET, STD. - FIRST DESIGN CHANGE

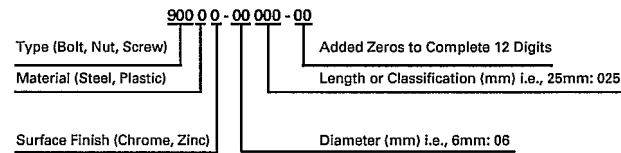
Only major changes to performance, durability, quality, appearance, cost or interchangeability will affect a part number change.

COLOR CODE & SIZE CODE NUMBER: 000-00000-00-00

When applicable, the last two digits of the part number identify:

1. Color Code: The painted color or type of plating or surface treatment used on certain parts.
2. Size Code: The last two digits are also used to show the size of parts (mm). Such as the thickness of shims or the size of pistons.

HARDWARE (Fastener) PART NUMBER CONFIGURATION:



TYPE:

A fastener part number always begins with the number "9" followed by either a 0, 1, 2, 3, 4, 5, 6, 7 or 8 designating one of eight major divisions within this group.

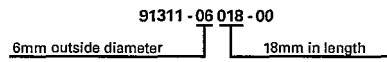
FOREWORD

Example:

- 9 0 000-00000-00 "0" designates various types.
- 9 1 000-00000-00 "1" designates bolts, cotter pins, etc.
- 9 2 000-00000-00 "2" designates screw, nuts, etc.
- 9 3 000-00000-00 "3" designates oil seals, o-rings, bearings, etc.
- 9 4 000-00000-00 "4" designates spark plugs.
- 9 5 000-00000-00 "5" designates bolts and nuts.
- 9 7 000-00000-00 "7" designates ISO bolts.
- 9 8 000-00000-00 "8" designates ISO screws and nuts.

The only major divisions which the mechanic should become familiar with are those related to the general hardware (nuts, bolts, and washers), since these are the most commonly used and most often replaced items. By knowing how to interpret the part number, the dimensions of a piece of hardware can be determined. This can be very helpful during major engine repair, and general parts replacement.

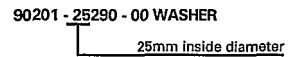
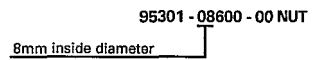
BOLT EXAMPLE:



EXCEPTION:

It is NOT possible to identify the LENGTH of bolts having a 901 prefix. Only the bolt diameter can be identified with this number.

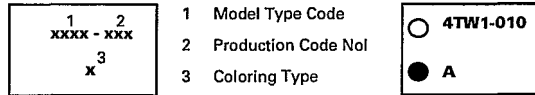
NUT AND WASHER EXAMPLE:



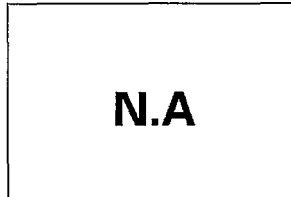
-MODEL LABEL-

A label called "Model Label" is affixed in the location as indicated in (3) below. When using this parts catalogue, please be sure to cross-reference the "model code - production code No." in the catalogue to the "model code - production code No." indicated on the Model Label affixed onto the product concerned.

"MODEL LABEL" INDICATION



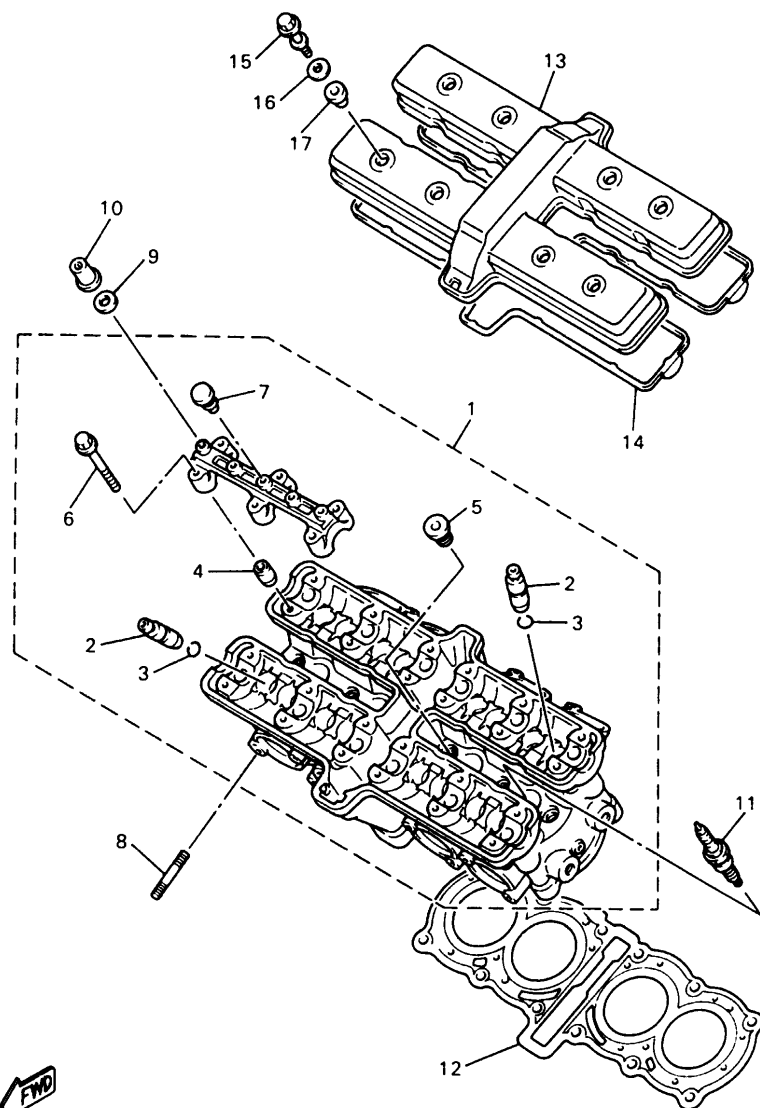
MODEL LABEL AFFIXING LOCATION



MODEL CODE - PRODUCTION CODE NUMBER OF MODEL LISTED IN THIS PARTS CATALOG

Model Code	Production Code No.	Country (destination)
5AH1	010	U49
5HA2	010	CALIFORNIA

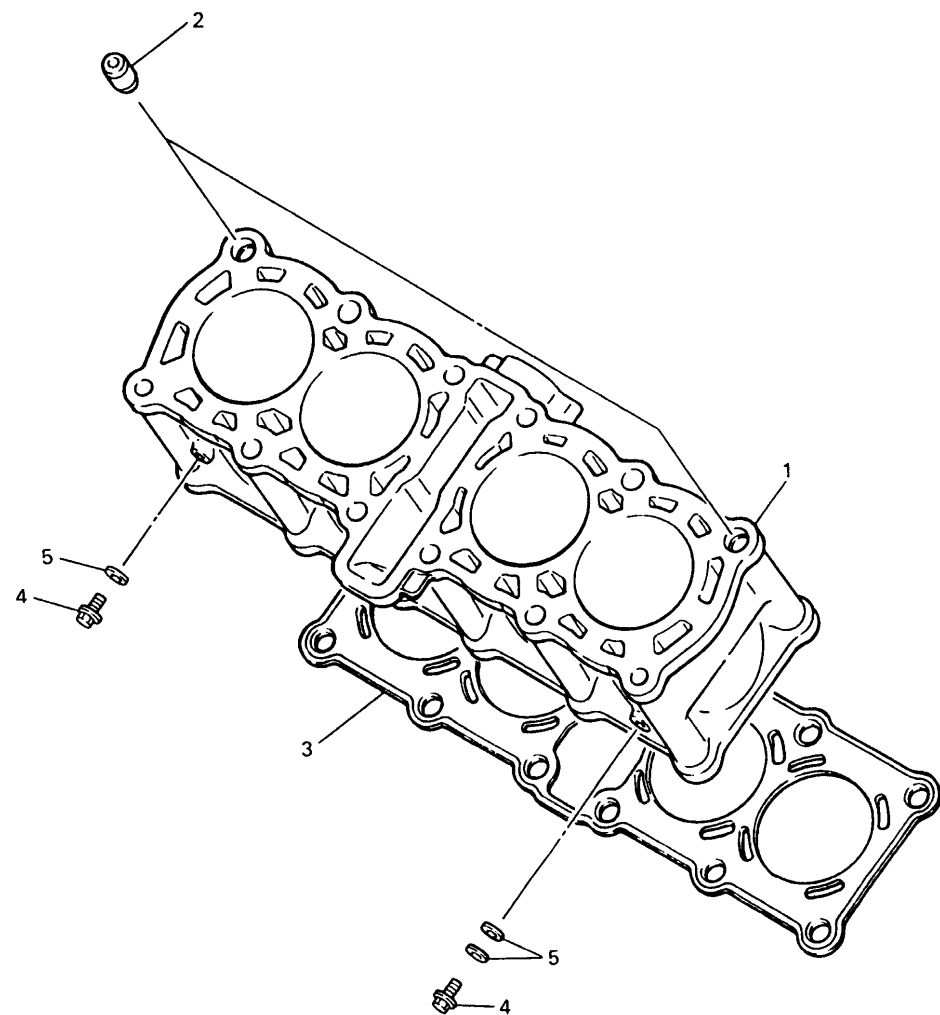
CYLINDER HEAD



4JH351-4010

Ref. No.	Part Number	Description	Qty	Remarks
1	4MM-11101-01-00	CYLINDER HEAD ASSY	1	
2	3TJ-11133-10-00	. .GUIDE, INTAKE VALVE	16	
3	93440-07149-00	. .CIRCLIP	16	
4	99510-08016-00	. .PIN, DOWEL	12	
5	90340-12112-00	. .PLUG, STRAIGHT SCREW	6	
6	90105-06384-00	. .BOLT, FLANGE	24	
7	90338-08174-00	. .PLUG	12	
8	95617-06630-00	BOLT, STUD	8	
9	90201-090P4-00	WASHER, PLATE	12	
10	90179-09612-00	NUT	12	
11	NGK-CR9E0-00-00	PLUG, SPARK (NGK R CR9E)	4	UR
12	4JH-11181-00-00	GASKET, CYLINDER HEAD 1	1	
13	3TJ-11191-00-00	COVER, CYLINDER HEAD 1	1	
14	4TV-11193-00-00	GASKET, HEAD COVER 1	1	
15	90109-064F0-00	BOLT	8	
16	90209-11262-00	WASHER	8	
17	2GH-1111G-00-00	RUBBER, MOUNT 1	8	

CYLINDER

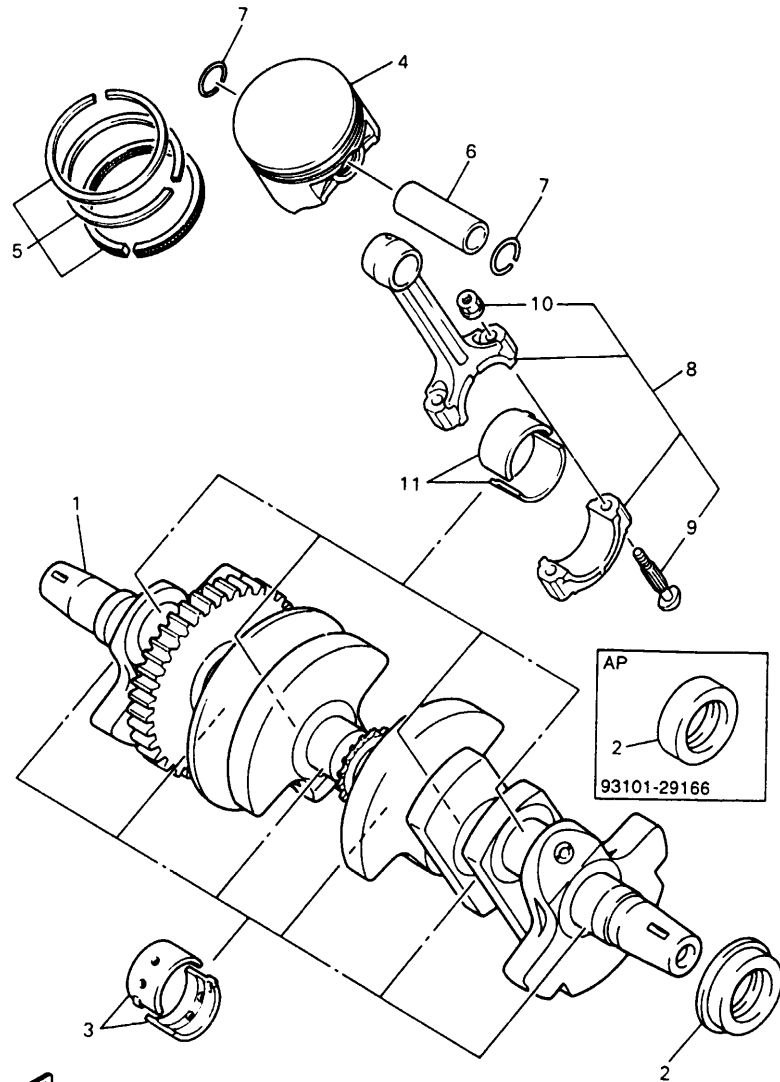


Ref. No.	Part Number	Description	Qty	Remarks
1	4MM-11311-01-00	CYLINDER 1	1	
2	93612-16254-00	PIN, DOWEL	2	
3	3TJ-11351-00-00	GASKET, CYLINDER	1	
4	95807-06014-00	BOLT, FLANGE	2	
5	90430-06014-00	GASKET	3	



5AH2110-7020

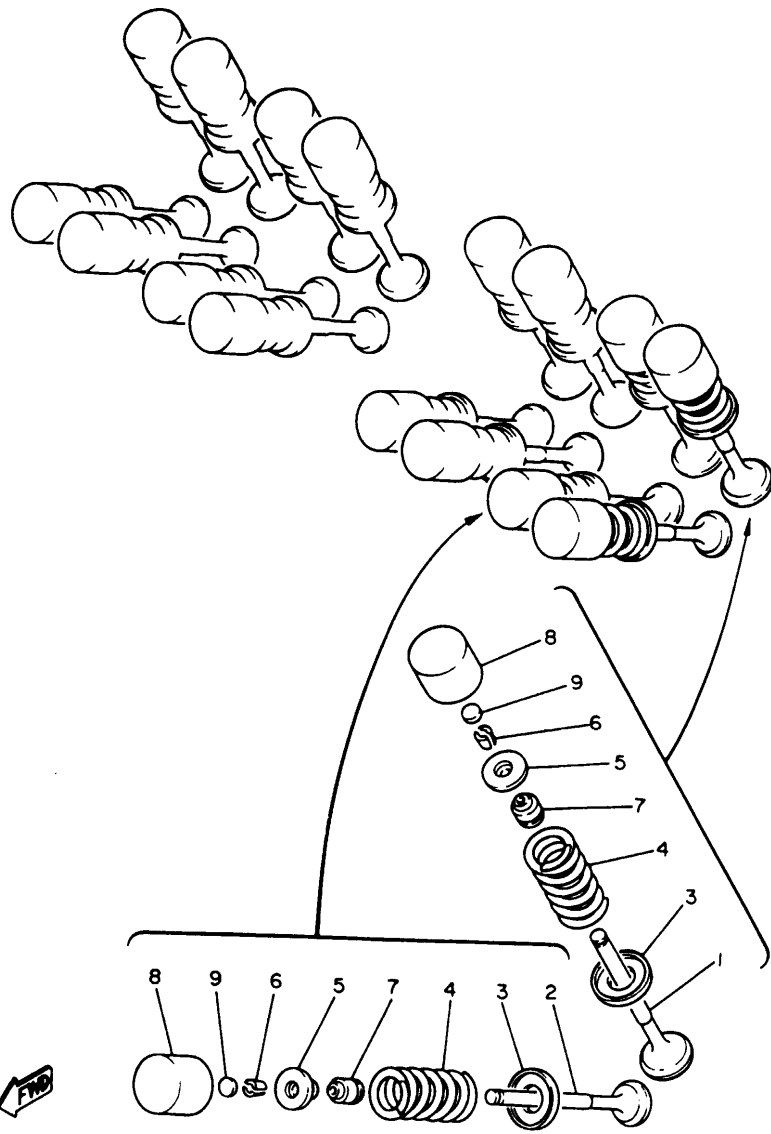
CRANKSHAFT PISTON



4JH351-5030

Ref. No.	Part Number	Description	Qty	Remarks
1	4TV-11411-00-00	CRANKSHAFT	1	
2	93101-29165-00	OIL SEAL	1	UR
	93101-29166-00	OIL SEAL	1	AP
3	4TV-11416-00-00	PLANE BEARING, CRANKSHAFT 1	12	UR
	4TV-11416-10-00	PLANE BEARING, CRANKSHAFT 1	12	UR
	4TV-11416-20-00	PLANE BEARING, CRANKSHAFT 1	12	UR
	4TV-11416-30-00	PLANE BEARING, CRANKSHAFT 1	12	UR
	4TV-11416-50-00	PLANE BEARING, CRANKSHAFT 1	12	UR
	4TV-11416-40-00	PLANE BEARING, CRANKSHAFT 1	12	UR
4	4TV-11631-00-00	PISTON (STD)	4	
5	4JH-11603-00-00	PISTON RING SET (STD)	4	
6	4JH-11633-00-00	PIN, PISTON	4	
7	90468-12069-00	CLIP	8	
8	4JH-11650-00-00	CONNECTING ROD ASSY	4	
9	4JH-11654-00-00	. BOLT, CONNECTING ROD ..	2	
10	90179-07652-00	. NUT	2	
11	4TV-11656-00-00	PLANE BEARING, CONNECTING ROD	8	UR
	4TV-11656-10-00	PLANE BEARING, CONNECTING ROD	8	UR
	4TV-11656-20-00	PLANE BEARING, CONNECTING ROD	8	UR
	4TV-11656-30-00	PLANE BEARING, CONNECTING ROD	8	UR

VALVE

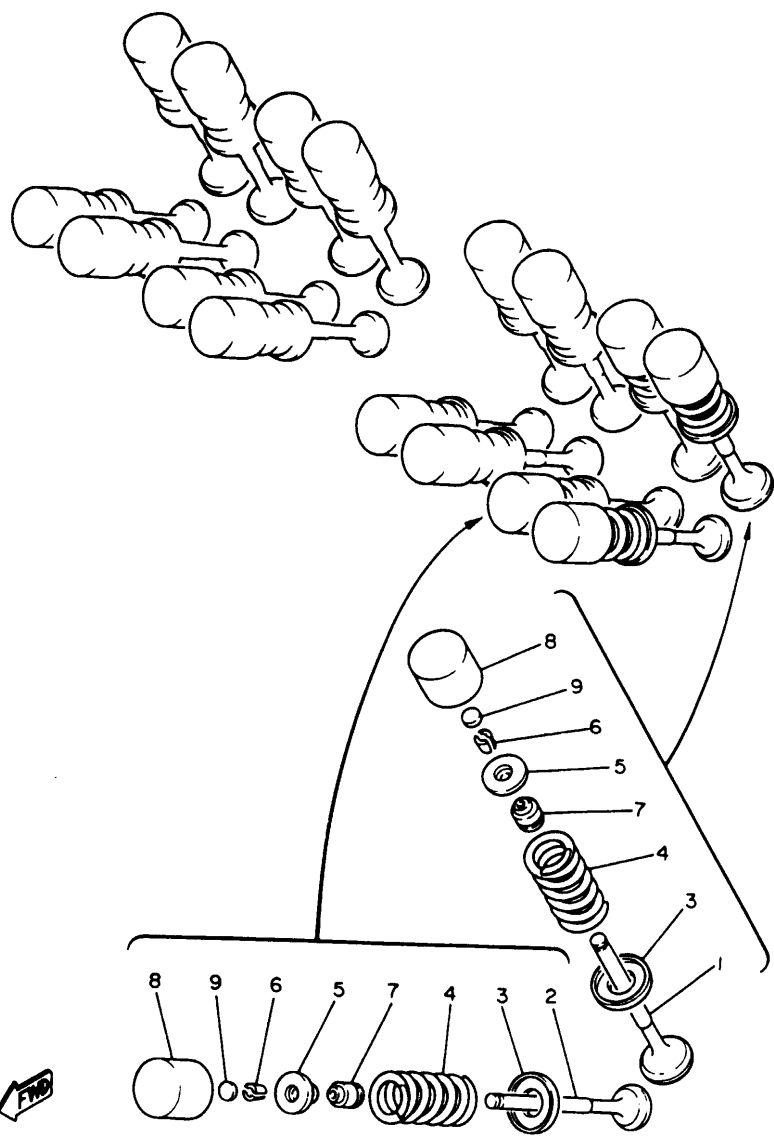


1WG010-6040

Ref. No.	Part Number	Description	Qty	Remarks
1	4JH-12111-00-00	VALVE, INTAKE	8	
2	4TV-12121-01-00	VALVE, EXHAUST	8	
3	1WG-12116-00-00	SEAT, VALVE SPRING	16	
4	4TV-12113-00-00	SPRING, VALVE INNER	16	
5	3TJ-12117-00-00	RETAINER, VALVE SPRING ..	16	
6	1HX-12118-00-00	COTTER, VALVE	32	
7	4TV-12119-00-00	SEAL, VALVE STEM	16	
8	3FV-12153-10-00	LIFTER, VALVE	16	UR YELLOW
	3FV-12153-09-00	LIFTER, VALVE (O/S)	16	AP GREEN
9	1HX-12168-00-00	PAD, ADJUSTING 2 (1.20)	16	UR
	1HX-12168-20-00	PAD, ADJUSTING 2 (1.25)	16	UR
	1HX-12168-40-00	PAD, ADJUSTING 2 (1.30)	16	UR
	1HX-12168-60-00	PAD, ADJUSTING 2 (1.35)	16	UR
	1HX-12168-80-00	PAD, ADJUSTING 2 (1.40)	16	UR
	1HX-12168-A0-00	PAD, ADJUSTING 2 (1.45)	16	UR
	1HX-12168-F0-00	PAD, ADJUSTING 2 (1.50)	16	UR
	1HX-12168-H1-00	PAD, ADJUSTING 2 (1.55)	16	UR
	1HX-12168-K1-00	PAD, ADJUSTING 2 (1.60)	16	UR
	1HX-12168-M1-00	PAD, ADJUSTING 2 (1.65)	16	UR
	1HX-12168-R1-00	PAD, ADJUSTING 2 (1.70)	16	UR
	1HX-12168-U1-00	PAD, ADJUSTING 2 (1.75)	16	UR
	1HX-12168-W1-00	PAD, ADJUSTING 2 (1.80)	16	UR
	1HX-12168-Y1-00	PAD, ADJUSTING 2 (1.85)	16	UR
	1HX-12169-11-00	PAD, ADJUSTING 2 (1.90)	16	UR
	1HX-12169-31-00	PAD, ADJUSTING 2 (1.95)	16	UR
	1HX-12169-50-00	PAD, ADJUSTING 2 (2.00)	16	UR
	1HX-12169-70-00	PAD, ADJUSTING 2 (2.05)	16	UR
	1HX-12169-90-00	PAD, ADJUSTING 2 (2.10)	16	UR
	1HX-12169-E0-00	PAD, ADJUSTING 2 (2.15)	16	UR

CONTINUED ON NEXT FRAME ►

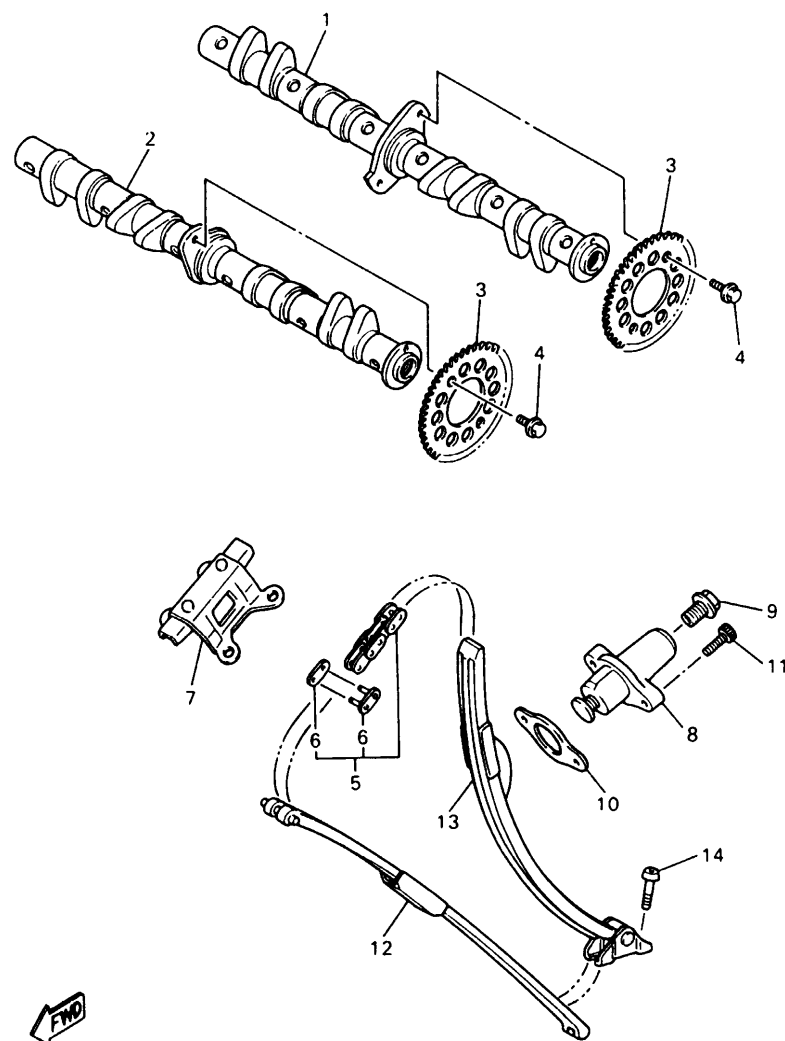
VALVE



Ref. No.	Part Number	Description	Qty	Remarks
9	1HX-12169-G0-00	PAD, ADJUSTING 2 (2.20) 16	UR
	1HX-12169-J0-00	PAD, ADJUSTING 2 (2.25) 16	UR
	1HX-12169-L0-00	PAD, ADJUSTING 2 (2.30) 16	UR
	1HX-12169-N0-00	PAD, ADJUSTING 2 (2.35) 16	UR
	1HX-12169-T0-00	PAD, ADJUSTING 2 (2.40) 16	UR

1WG010-6040

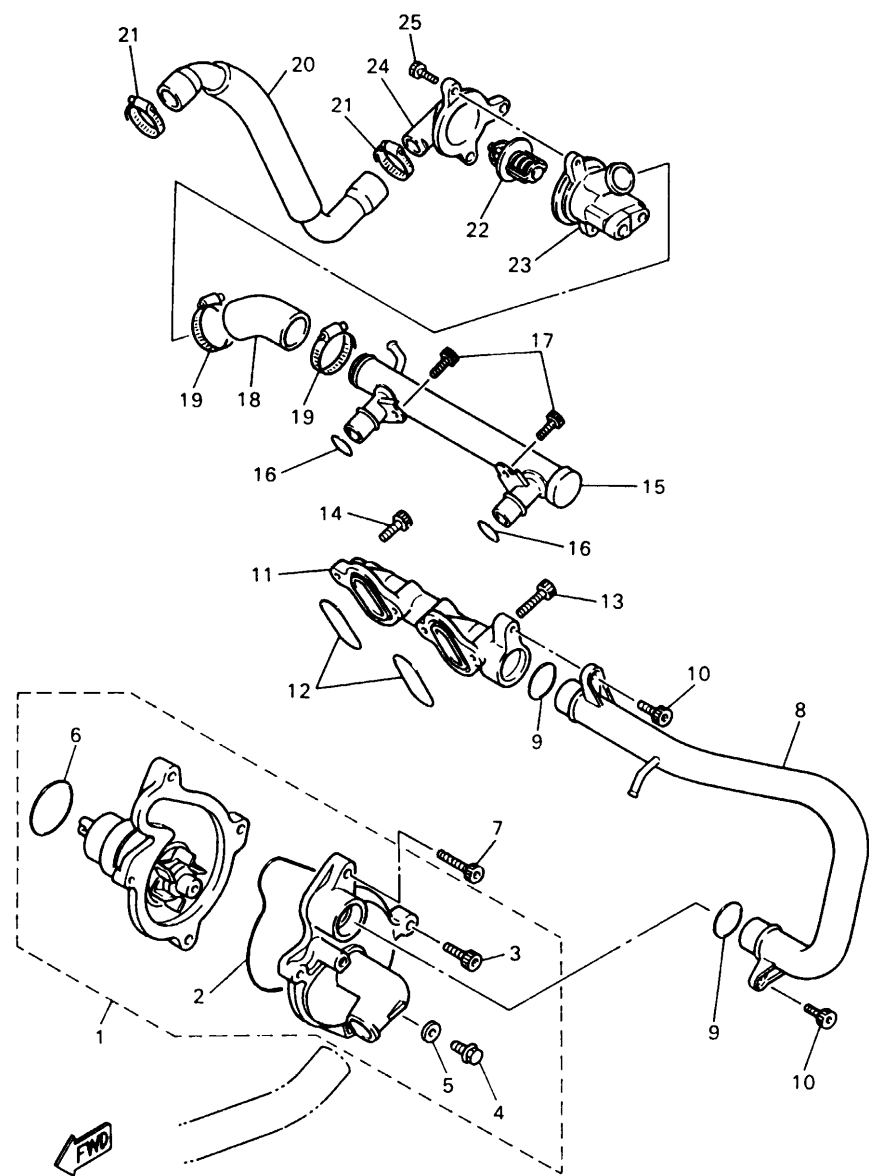
CAMSHAFT CHAIN



4JH351-4050

Ref. No.	Part Number	Description	Qty	Remarks
1	4NC-12171-01-00	CAMSHAFT 1	1	
2	4NC-12181-00-00	CAMSHAFT 2	1	
3	1WG-12176-00-00	SPROCKET, CAM CHAIN	2	
4	90105-07385-00	BOLT, FLANGE	4	
5	9Y581-32117-00	CHAIN (D.I.D. 215F DHA 118L)	1	
6	4TV-11498-00-00	. PIN, JOINT	1	
7	3TJ-12241-00-00	GUIDE, STOPPER 2	1	
8	1WG-12210-02-00	TENSIONER ASSY, CAM CHAIN	1	
9	90109-112F1-00	BOLT	1	
10	4BE-12213-00-00	GASKET, TENSIONER CASE ..	1	
11	91317-06025-00	BOLT	2	
12	3HE-12251-00-00	DAMPER, CHAIN 1	1	
13	4JH-12252-00-00	DAMPER, CHAIN 2	1	
14	90109-065A8-00	BOLT	2	

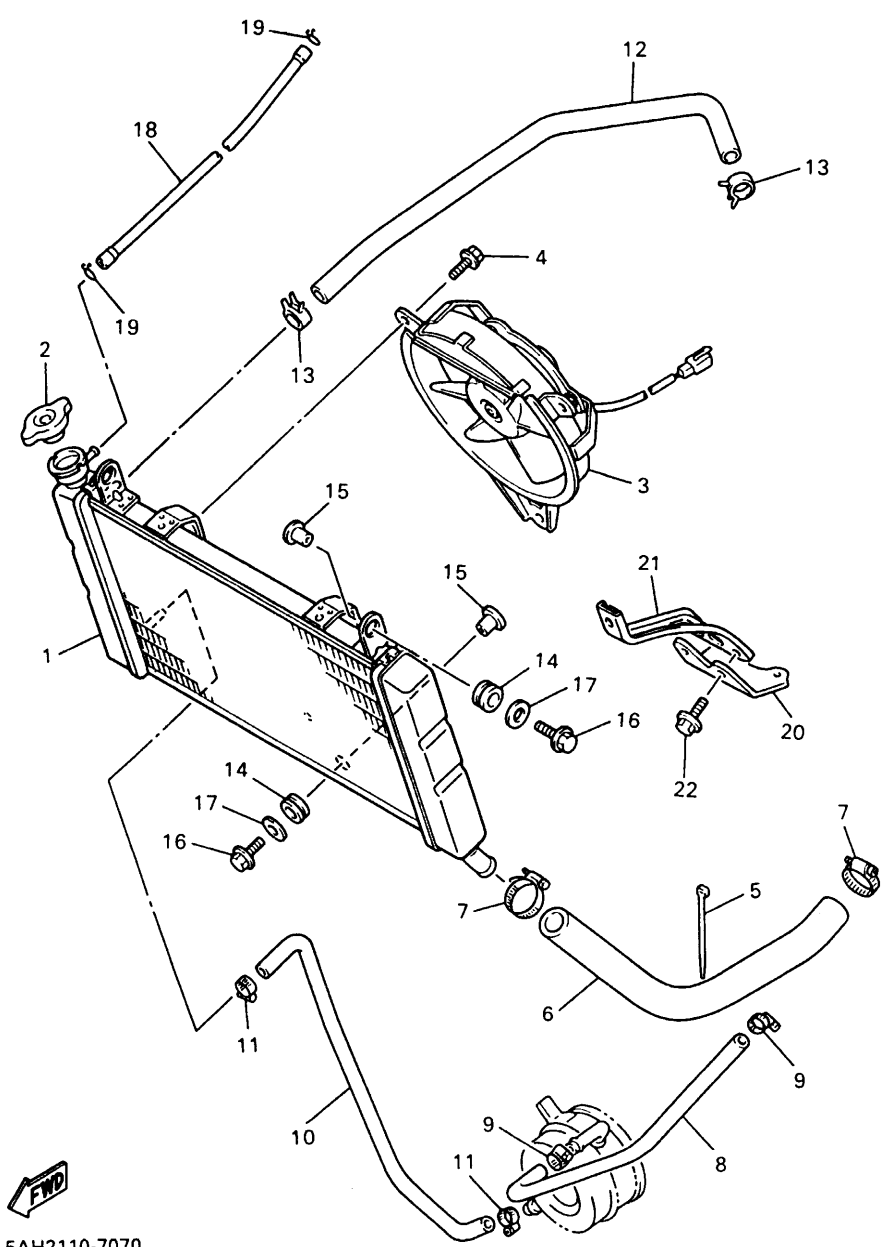
WATER PUMP



4JH351-4060

Ref. No.	Part Number	Description	Qty	Remarks
1	3TJ-Y1242-00-00	WATER PUMP ASSY	1	
2	1WG-12439-00-00	.O-RING	1	
3	91317-06025-00	. BOLT	2	
4	95027-06012-00	. BOLT, FLANGE	1	
5	90430-06014-00	. GASKET	1	
6	93210-33133-00	.O-RING	1	
7	91317-06035-00	BOLT	2	
8	4JH-12481-00-00	PIPE 1	1	
9	93210-21190-00	O-RING	2	
10	91317-06010-00	BOLT	2	
11	1WG-12446-01-00	JOINT	1	
12	93210-17746-00	O-RING	2	
13	91317-06040-00	BOLT	3	
14	91317-06025-00	BOLT	1	
15	4JH-12482-00-00	PIPE 2	1	
16	93210-15414-00	O-RING	2	
17	91317-06010-00	BOLT	2	
18	3TJ-12576-00-00	HOSE 1	1	
19	90450-32051-00	HOSE CLAMP ASSY	2	
20	4JH-12577-00-00	HOSE 2	1	
21	90450-32051-00	HOSE CLAMP ASSY	2	
22	4JH-12410-00-00	THERMOSTAT ASSY	1	
23	3TJ-12417-00-00	HOUSING, THERMOSTAT	1	
24	3TJ-12413-00-00	COVER, THERMOSTAT	1	
25	91317-06020-00	BOLT	2	

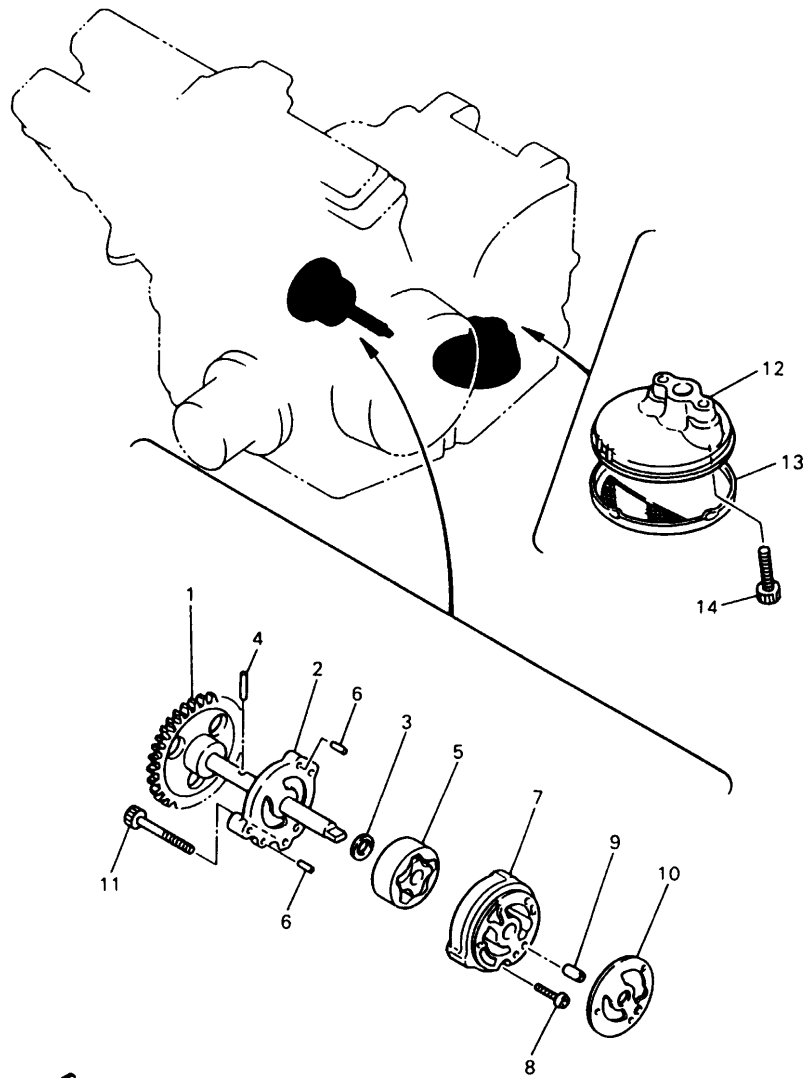
RADIATOR HOSE



5AH2110-7070

Ref. No.	Part Number	Description	Qty	Remarks
1	4TV-12461-00-00	RADIATOR ASSY	1	
2	4JH-12462-00-00	CAP, RADIATOR	1	
3	4JH-12405-00-00	BLOWER ASSY	1	
4	95811-06010-00	BOLT, FLANGE	3	
5	90464-12045-00	CLAMP	1	
6	4TV-12578-00-00	HOSE 3	1	
7	90450-32051-00	HOSE CLAMP ASSY	2	
8	4TV-12579-00-00	HOSE 4	1	
9	90450-17036-00	HOSE CLAMP ASSY	2	
10	4JH-12588-00-00	HOSE 5	1	
11	90450-17036-00	HOSE CLAMP ASSY	2	
12	4JH-1243A-00-00	HOSE 1	1	
13	90467-11090-00	CLIP	2	
14	90480-15363-00	GROMMET	3	
15	90387-07391-00	COLLAR	3	
16	95807-06025-00	BOLT, FLANGE	3	
17	90201-06071-00	WASHER, PLATE	3	
18	90445-083J9-00	HOSE (L960)	1	
19	90467-08075-00	CLIP	2	
20	4JH-1244F-00-00	BRACKET 1	1	
21	4JH-2142K-00-00	BRACKET, RADIATOR	1	
22	95807-06012-00	BOLT, FLANGE	2	

OIL PUMP



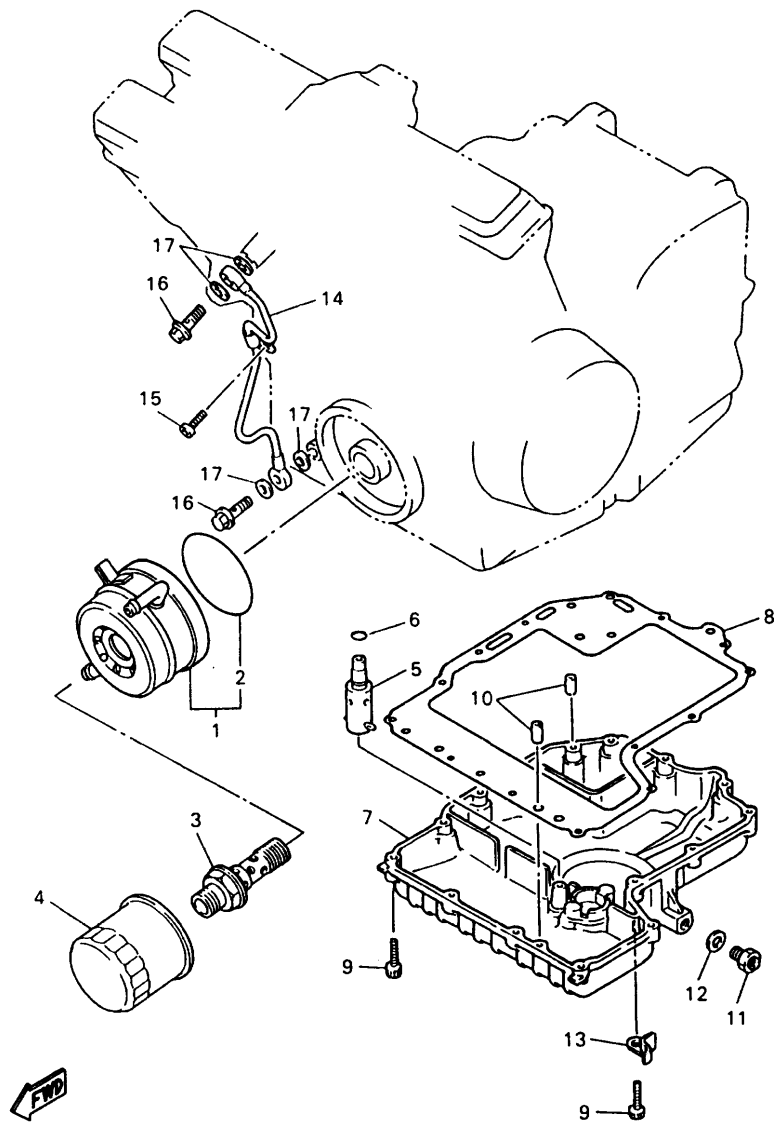
Ref. No.	Part Number	Description	Qty	Remarks
1	4JH-13330-00-00	PUMP SHAFT ASSY	1	
2	1WG-13316-00-00	COVER, PUMP	1	
3	90201-113K2-00	WASHER, PLATE	1	
4	93603-17070-00	PIN, DOWEL	1	
5	1WG-13310-00-00	ROTOR ASSY 1	1	
6	93603-09106-00	PIN, DOWEL	2	
7	1WG-13336-00-00	HOUSING, ROTOR	1	
8	98507-06020-00	.SCREW, PAN HEAD	1	
9	99530-08012-00	PIN, DOWEL	1	
10	1WG-13329-00-00	GASKET, PUMP COVER	1	
11	90110-06130-00	BOLT, HEXAGON SOCKET HEAD	3	
12	3TJ-13412-00-00	HOUSING, STRAINER	1	
13	4H7-13411-02-00	STRAINER, OIL	1	
14	90110-06225-00	BOLT, HEXAGON SOCKET HEAD	2	



4JH351-4080

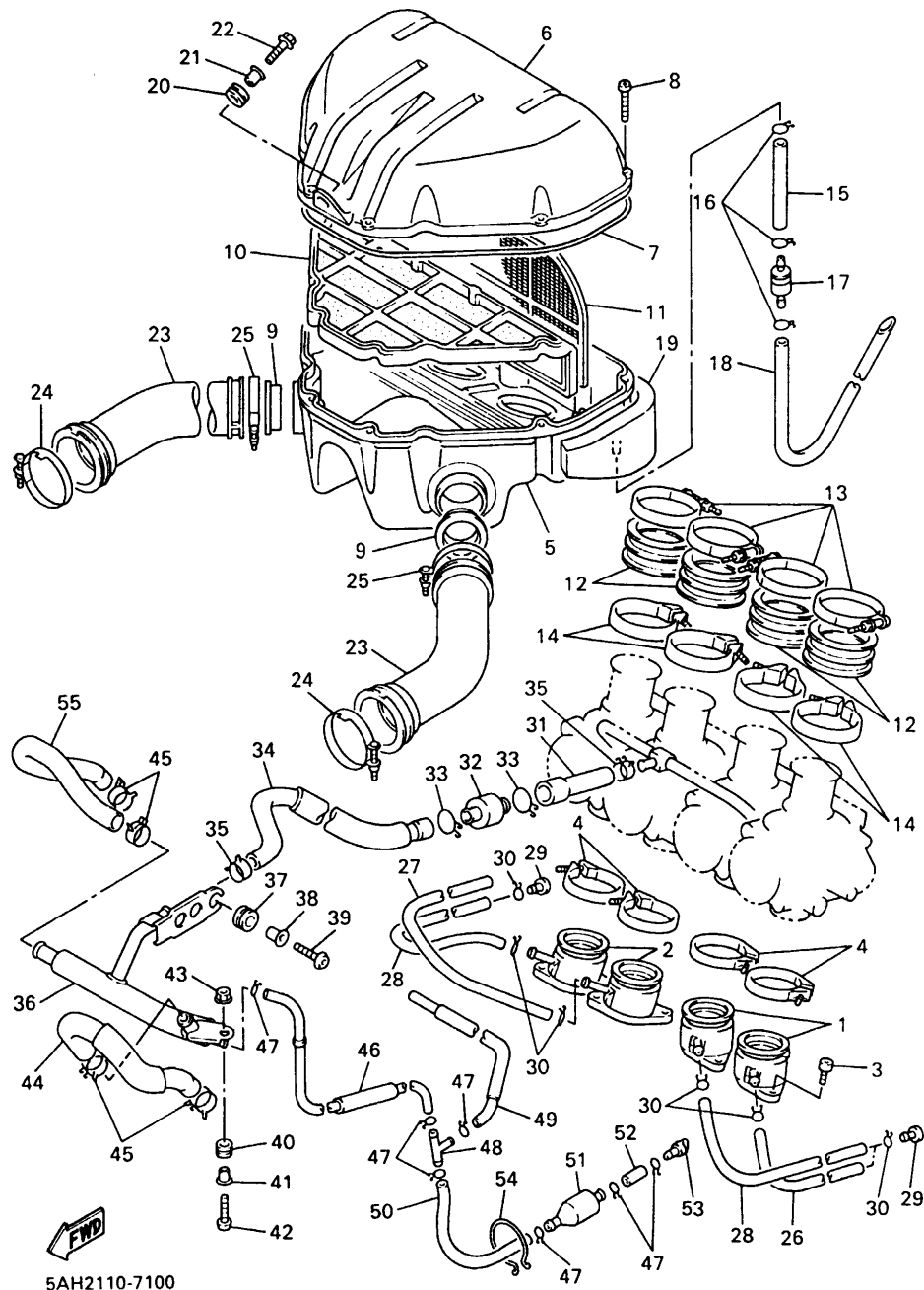
OIL COOLER

Ref. No.	Part Number	Description	Qty	Remarks
1	4TV-13470-00-00	OIL COOLER ASSEMBLY	1	
2	4JH-13473-00-00	.O-RING	1	
3	90401-20165-00	BOLT, UNION	1	
4	3FV-13440-00-00	ELEMENT ASSY, OIL CLEANER	1	
5	4G0-13490-01-00	RELIEF VALVE ASSY	1	
6	93210-10096-00	O-RING	1	
7	4JH-13417-00-00	COVER, STRAINER	1	
8	4TV-13414-00-00	GASKET, STRAINER COVER	1	
9	91317-06025-00	BOLT	14	
10	99530-08016-00	PIN, DOWEL	2	
11	3VD-13455-00-00	PLUG	1	
12	214-11198-01-00	.GASKET	1	
13	90465-10306-00	CLAMP	1	
14	3HE-13161-00-00	PIPE, DELIVERY 1	1	
15	91317-06010-00	BOLT	1	
16	90401-10106-00	BOLT, UNION	2	
17	90430-10188-00	GASKET	4	



4TV351-6090

INTAKE

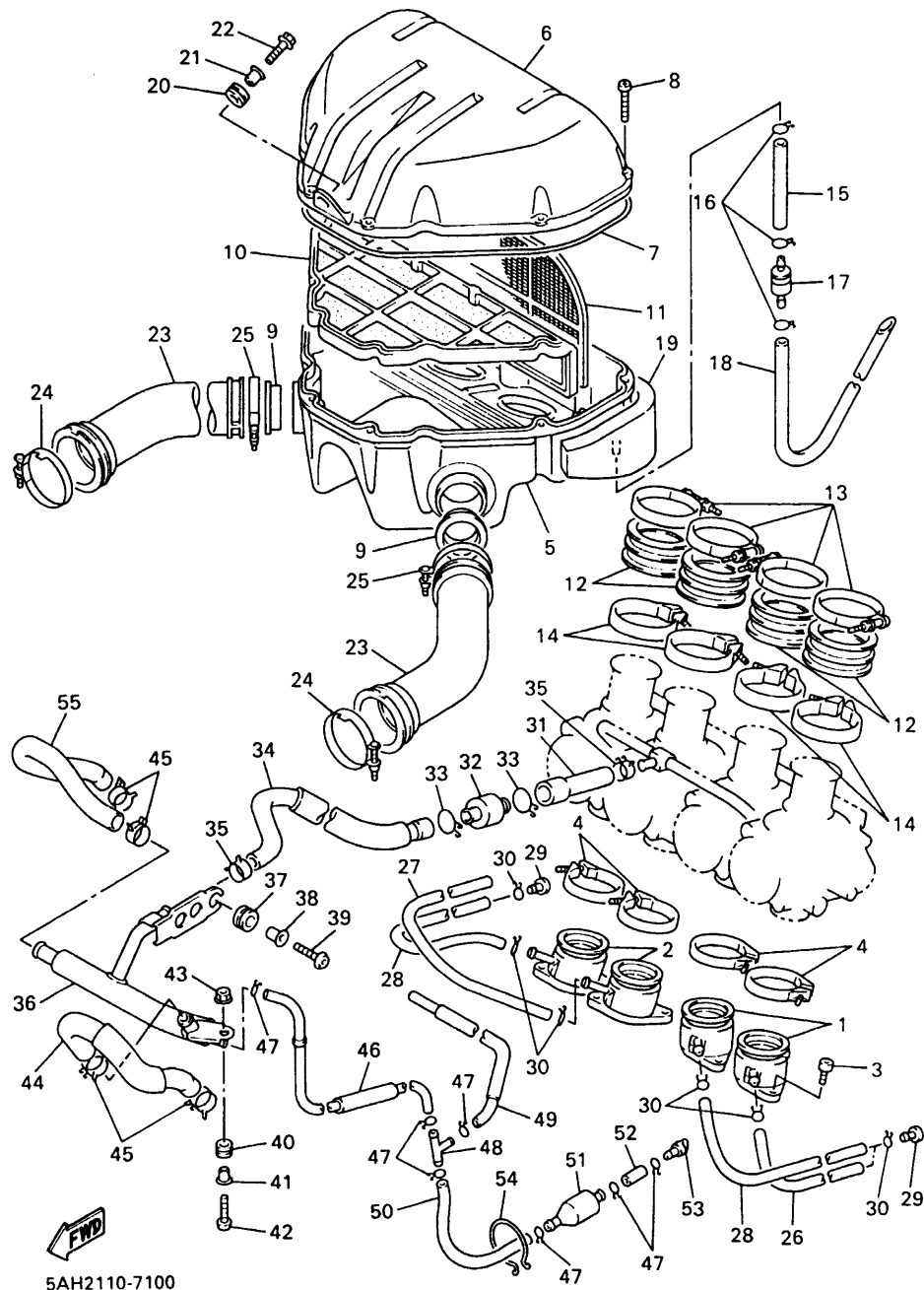


5AH2110-7100

Ref. No.	Part Number	Description	Qty	Remarks
1	4JH-13586-02-00	JOINT, CARBURETOR 1	2	
2	4JH-13596-02-00	JOINT, CARBURETOR 2	2	
3	91317-06020-00	BOLT	8	
4	90450-52074-00	HOSE CLAMP ASSY	4	
5	4WE-14411-00-00	CASE, AIR CLEANER 1	1	
6	4TV-14421-00-00	CASE, AIR CLEANER 2	1	
7	4KM-14452-00-00	SEAL	1	
8	98507-05025-00	SCREW, PAN HEAD	8	
9	4TV-1441J-00-00	PIPE, SILENCER	2	
10	4TV-14468-00-00	PLATE, ELEMENT FITTING	1	
11	4TV-1444A-00-00	NET, FLAME ARRESTER 1	1	
12	4TV-14453-00-00	JOINT, AIR CLEANER 1	4	
13	4TV-14455-00-00	BAND	4	
14	90450-60085-00	HOSE CLAMP ASSY	4	
15	90445-11452-00	HOSE (L125)	1	
16	90467-10041-00	CLIP	3	
17	4X7-2149Y-00-00	FILTER ASSY	1	
18	90445-075G7-00	HOSE (L600)	1	
19	5AH-14409-00-00	DAMPER	1	
20	90480-12314-00	GROMMET	1	
21	90387-065J6-00	COLLAR	1	
22	90119-06172-00	BOLT, WITH WASHER	1	
23	4TV-1446F-00-00	JOINT, SURGE TANK 1	2	
24	4TV-13575-00-00	BAND	2	
25	90460-59211-00	CLAMP, HOSE	2	
26	90445-09488-00	HOSE (L170)	1	
27	90445-09496-00	HOSE (L310)	1	
28	90445-09757-00	HOSE (L90)	2	
29	90338-05194-00	PLUG	3	

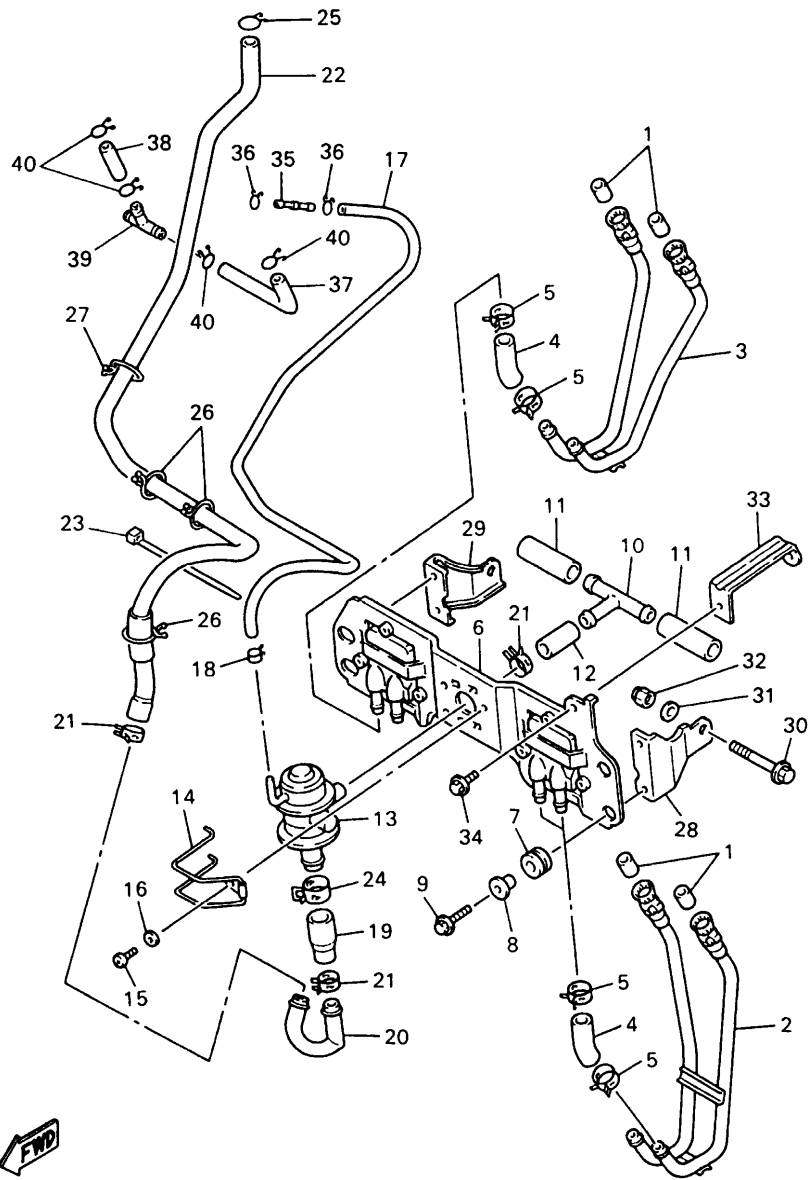
CONTINUED ON NEXT FRAME ►

INTAKE



Ref. No.	Part Number	Description	Qty	Remarks
30	90467-08017-00	CLIP	7	
31	4TV-14485-01-00	PIPE, JOINT	1	
32	3GM-14467-00-00	SEAL	1	
33	90467-20030-00	CLIP	2	
34	4TV-14197-00-00	PIPE	1	
35	90467-19160-00	CLIP	2	
36	4TV-14466-00-00	PIPE	1	
37	90480-15363-00	GROMMET	1	
38	90387-07391-00	COLLAR	1	
39	90110-06087-00	BOLT, HEXAGON SOCKET HEAD	1	
40	90480-12237-00	GROMMET	1	
41	90387-087L0-00	COLLAR	1	
42	92017-06016-00	BOLT, BUTTON HEAD	1	
43	95707-06500-00	NUT, FLANGE	1	
44	4TV-14148-00-00	PIPE	1	
45	90467-20154-00	CLIP	4	
46	4TV-1443E-00-00	PIPE, DRAIN	1	
47	90467-11106-00	CLIP	7	
48	90413-08009-00	WAY 3	1	
49	90445-110H9-00	HOSE (L390)	1	
50	90445-114J7-00	HOSE	1	
51	4TV-14226-00-00	CUP, DRAIN	1	
52	90445-11262-00	HOSE (L30)	1	
53	4TV-14191-00-00	PLUG, DRAIN	1	
54	90464-44109-00	CLAMP	1	
55	4TV-14149-00-00	PIPE	1	

AIR INDUCTION SYSTEM

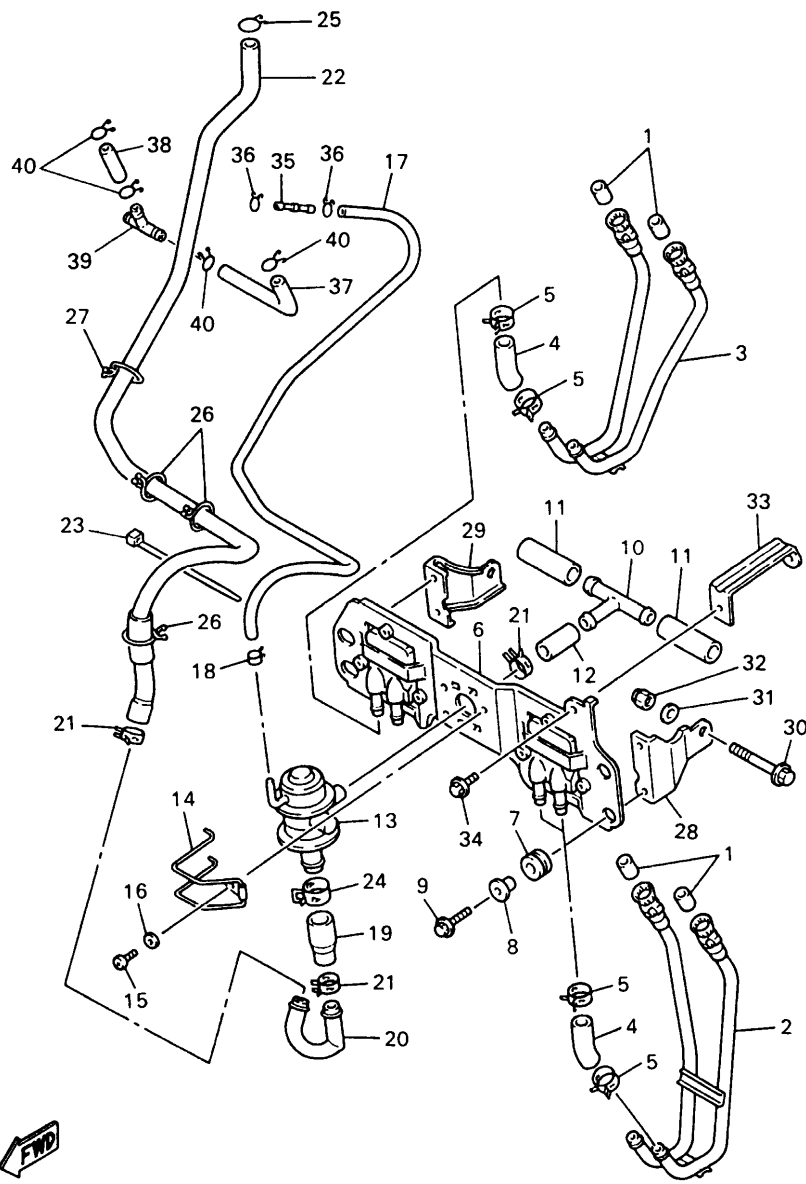


5AH2110-7110

Ref. No.	Part Number	Description	Qty	Remarks
1	42H-14714-10-00	GASKET, MUFFLER	4	
2	4WE-14872-00-00	PIPE 2	1	
3	4MM-14873-00-00	PIPE 3	1	
4	2LJ-14883-00-00	HOSE, BEND 3	4	
5	90468-08104-00	CLIP	8	
6	4MM-14808-00-00	REED VALVE ASSY	1	
7	90480-15316-00	GROMMET	4	
8	90387-07391-00	COLLAR	4	
9	95027-06025-00	BOLT, FLANGE	4	
10	2LJ-14874-00-00	PIPE 4	1	
11	4MM-14881-00-00	HOSE, BEND 1	2	
12	2LJ-14882-00-00	HOSE, BEND 2	1	
13	4MM-14840-00-00	AIR CUT VALVE ASSY	1	
14	90462-20188-00	CLAMP	1	
15	98507-06016-00	SCREW, PAN HEAD	1	
16	92907-06600-00	WASHER, PLATE	1	
17	90445-091J2-00	HOSE (L685)	1	
18	90467-08092-00	CLIP	1	
19	4MM-14885-00-00	HOSE, BEND 5	1	
20	4MM-14875-00-00	PIPE 5	1	
21	90467-19051-00	CLIP	3	
22	4MM-14884-00-00	HOSE, BEND 4	1	
23	5Y9-12491-00-00	CLAMP 1	1	
24	90467-23067-00	CLIP	1	
25	90467-14015-00	CLIP	1	
26	90464-23041-00	CLAMP	3	
27	90464-30040-00	CLAMP	1	
28	4MM-14868-00-00	BRACKET 2	1	
29	4MM-14869-00-00	BRACKET 3	1	

CONTINUED ON NEXT FRAME ►

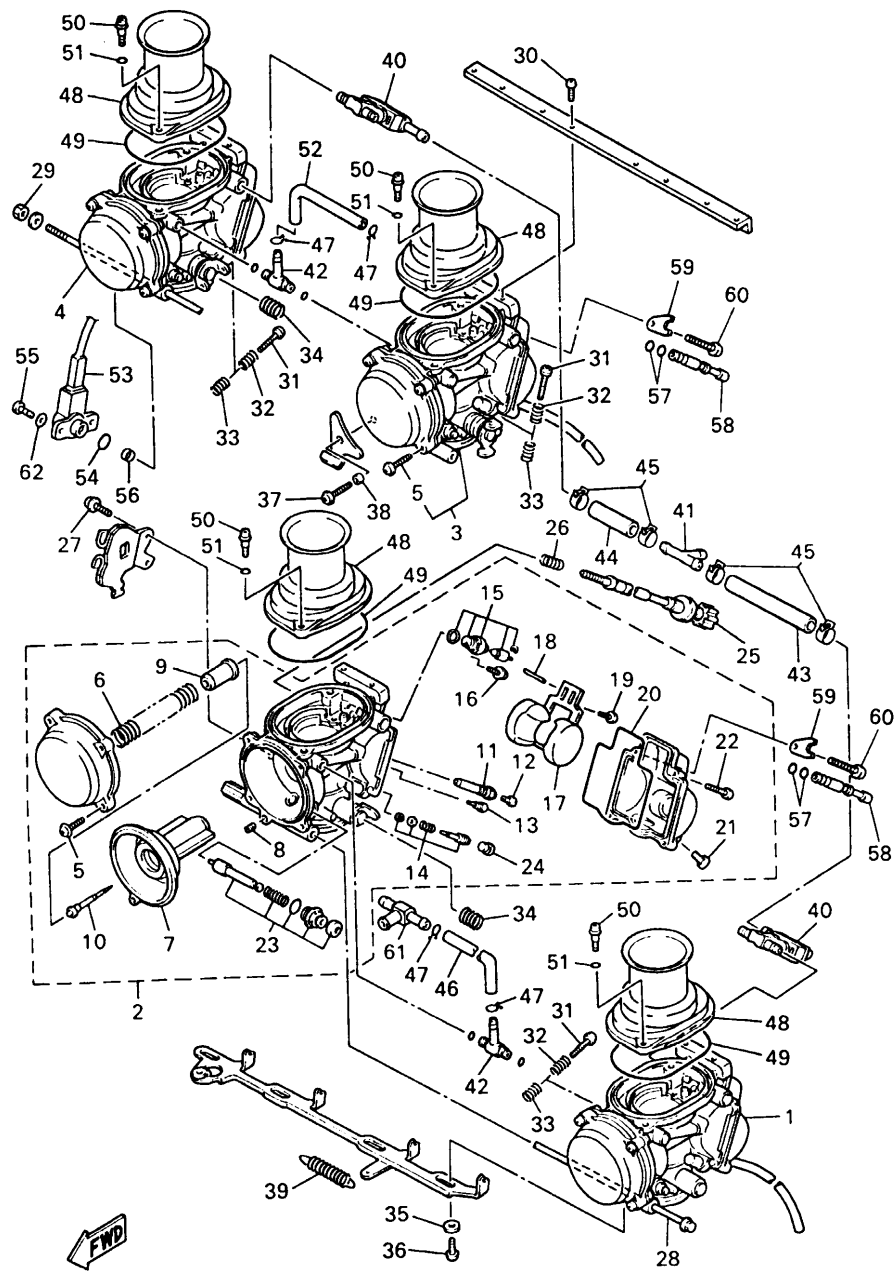
AIR INDUCTION SYSTEM



Ref. No.	Part Number	Description	Qty	Remarks
30	90105-10169-00	BOLT, FLANGE	2	
31	92907-10600-00	WASHER, PLATE	2	
32	95617-10100-00	NUT, U	2	
33	4MM-14849-00-00	BRACKET	1	
34	95807-06010-00	BOLT, FLANGE	1	
35	4MM-13582-00-00	PIPE	1	
36	90467-08017-00	CLIP	2	
37	1WT-24311-00-00	PIPE, FUEL 1	1	
38	90445-11763-00	HOSE (L45)	1	
39	3H3-24376-00-00	PIPE, JOINT 1	1	
40	90467-10008-00	CLIP	4	

5AH2110-7110

CARBURETOR

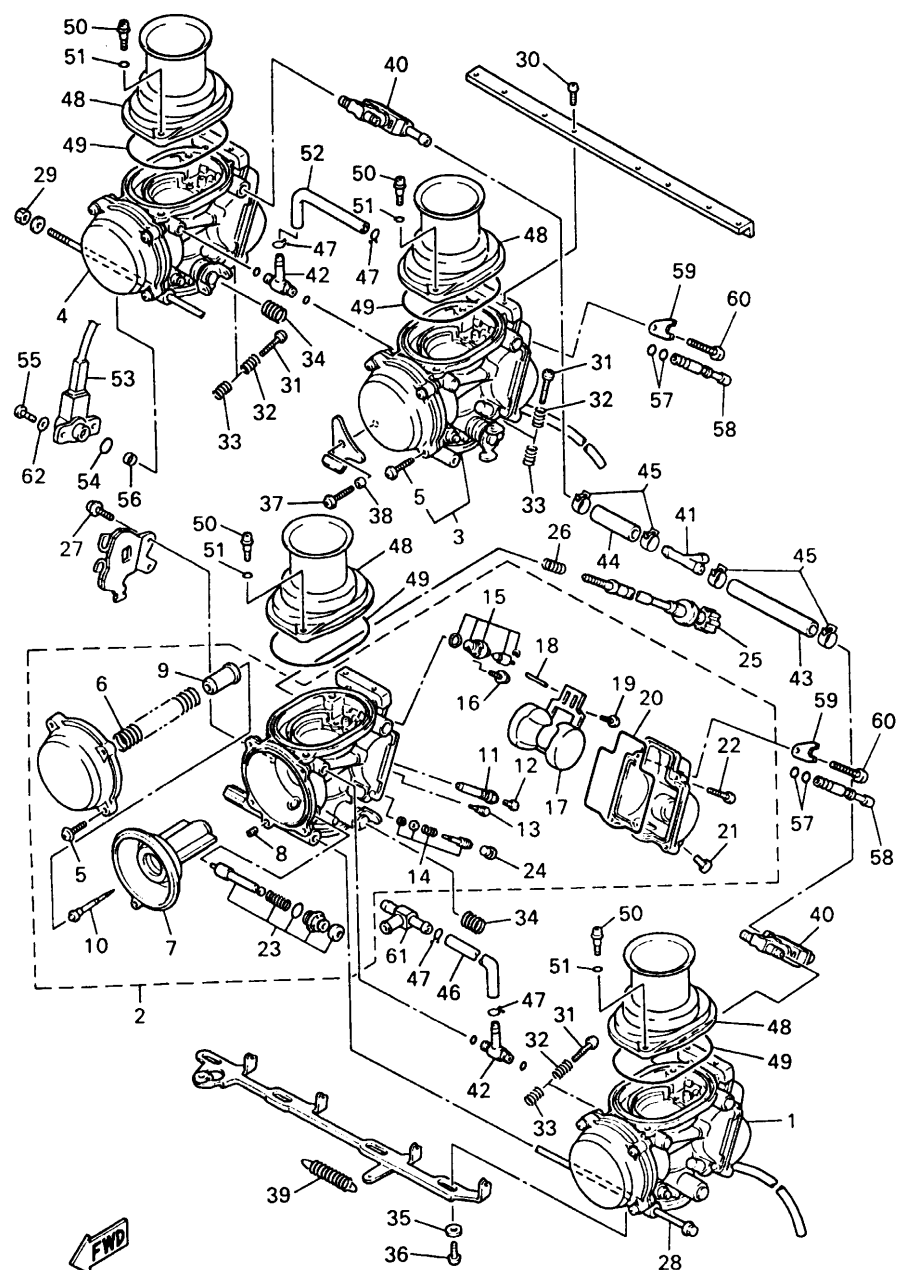


5AH2110-7120

Ref. No.	Part Number	Description	Qty	Remarks
1	5AH-14901-01-00	CARBURETOR ASSY 1	1	
2	5AH-14902-01-00	CARBURETOR ASSY 2	1	
3	5AH-14903-01-00	CARBURETOR ASSY 3	1	
4	5AH-14904-01-00	CARBURETOR ASSY 4	1	
5	4JH-14216-00-00	.SCREW	3	UR #3
	4JH-14216-00-00	.SCREW	3	4
	4JH-14216-00-00	.SCREW	4	
6	4TV-14933-00-00	.SPRING, DIAPHRAGM	1	
7	4TV-14940-00-00	.DIAPHRAGM ASSY	1	
8	4JH-14515-00-00	.JET	1	
9	4JH-14936-00-00	.SEAT, SPRING	1	
10	4TV-14916-00-00	.NEEDLE	1	4
	4TV-14916-10-00	.NEEDLE	1	3
11	4TV-1414G-00-00	.PIPE, MAIN BREED	1	
12	3TJ-14943-87-00	.JET, MAIN (#148)	1	
13	4JH-14948-02-00	.JET (38)	1	
14	4JH-14105-00-00	.PILOT SCREW SET	1	
15	4JH-14107-00-00	.NEEDLE VALVE SET	1	
16	3TJ-14216-40-00	.SCREW	1	
17	4JH-14985-00-00	.FLOAT	1	
18	676-14548-00-00	.PIN, FLOAT ARM	1	
19	688-14592-00-00	.SCREW	1	
20	4JH-14984-00-00	.GASKET, FLOAT CHAMBER	1	
21	3TJ-14191-40-00	.PLUG, DRAIN	1	
22	98502-04014-00	.SCREW, PAN HEAD	3	3
	98502-04014-00	.SCREW, PAN HEAD	3	4
	98502-04014-00	.SCREW, PAN HEAD	4	
23	4TV-1410A-01-00	.STARTER SET	1	
24	4MM-14118-00-00	.CAP	1	

CONTINUED ON NEXT FRAME ►

CARBURETOR

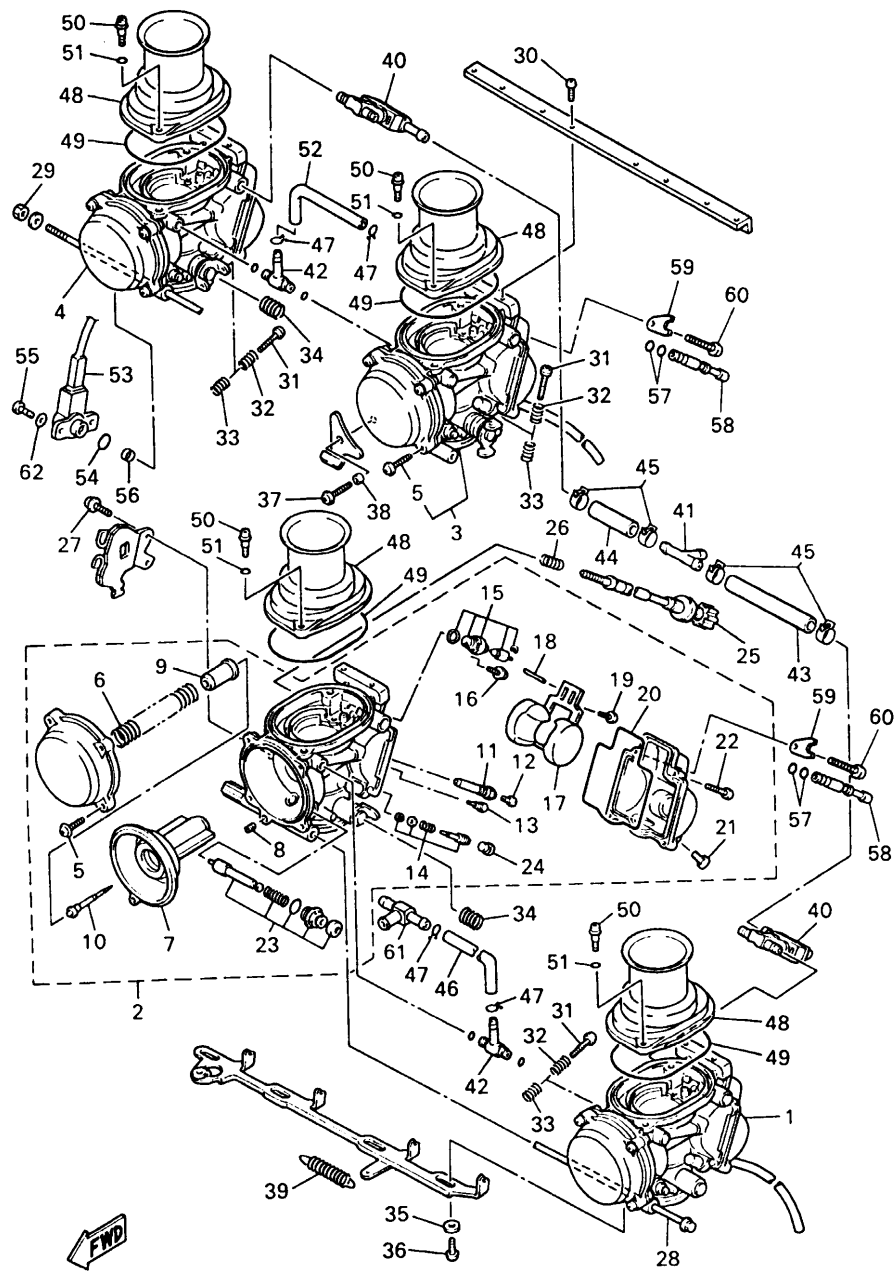


5AH2110-7120

Ref. No.	Part Number	Description	Qty	Remarks
25	4JH-14922-00-00	SCREW, THROTTLE	1	
26	4JH-14934-00-00	SPRING, THROTTLE STOP	1	
27	4JH-14429-00-00	SCREW	1	
28	4JH-14162-00-00	BOLT, HOLDING	1	
29	4JH-14358-00-00	NUT	1	
30	4JH-14325-00-00	SCREW, PAN HEAD	8	
31	4JH-14121-00-00	SCREW, THROTTLE STOP	3	
32	7A9-14555-00-00	SPRING	3	
33	4JH-14133-00-00	SPRING, THROTTLE STOP	3	
34	4JH-14487-00-00	SPRING	2	
35	90202-06056-00	WASHER, PLATE	6	
36	3TJ-14245-40-00	SCREW, GUIDE	3	
37	4JH-14565-00-00	SCREW	1	
38	4JH-14264-00-00	COLLAR	1	
39	4JH-14935-00-00	SPRING	1	
40	4JH-14350-00-00	PIPE ADAPTOR ASSY	2	
41	4JH-13918-00-00	PIPE T	1	
42	4JH-14197-00-00	PIPE	2	
43	4JH-14294-00-00	HOSE	1	
44	4JH-14298-00-00	PIPE	1	
45	4JH-14137-00-00	CLIP	4	
46	4TV-14349-00-00	PIPE 1	1	
47	3TJ-14937-40-00	CLIP	4	
48	4TV-1440F-00-00	JOINT, AIR FILTER 1	4	
49	4JH-14561-00-00	O-RING	4	
50	4JH-14245-00-00	SCREW, GUIDE	8	
51	4TV-14561-00-00	O-RING	8	
52	4TV-14348-00-00	PIPE 1	1	
53	4TV-85885-00-00	THROTTLE POSITION SENSOR ASSY	1	

CONTINUED ON NEXT FRAME ➤

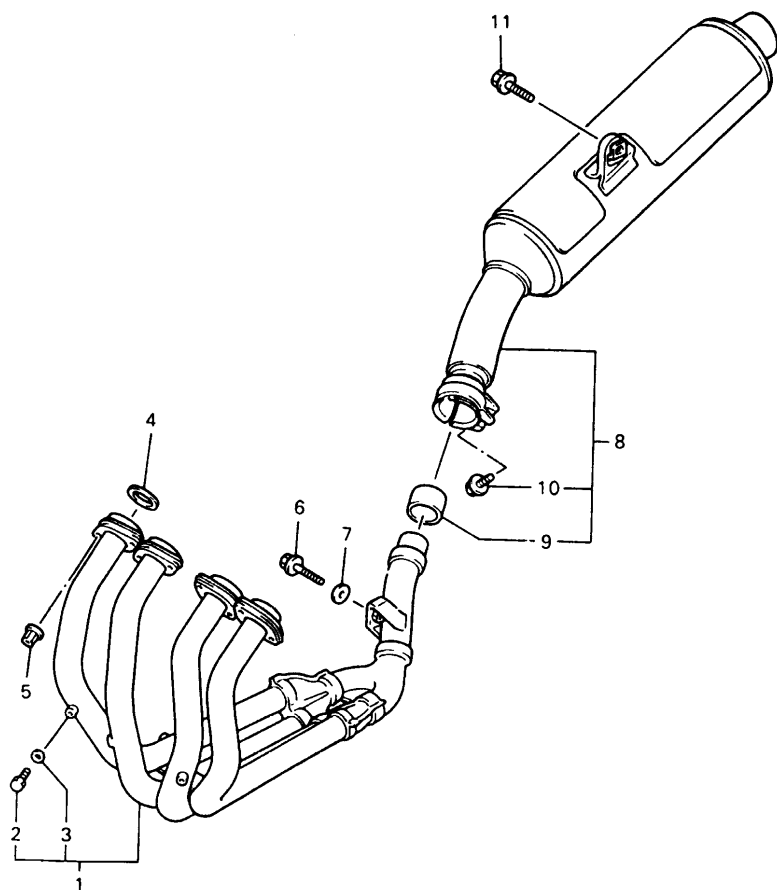
CARBURETOR



5AH2110-7120

Ref. No.	Part Number	Description	Qty	Remarks
54	4TV-14562-00-00	O-RING	1	
55	4TV-14216-00-00	SCREW	2	
56	4TV-14534-00-00	COLLAR	1	
57	4NC-14561-00-00	O-RING	4	
58	4NC-14568-00-00	JOINT	2	
59	4NC-14527-00-00	PLATE	2	
60	4NC-14325-00-00	SCREW, PAN HEAD	2	
61	4TV-14465-00-00	PIPE	1	
62	4TV-14557-00-00	WASHER	2	

EXHAUST

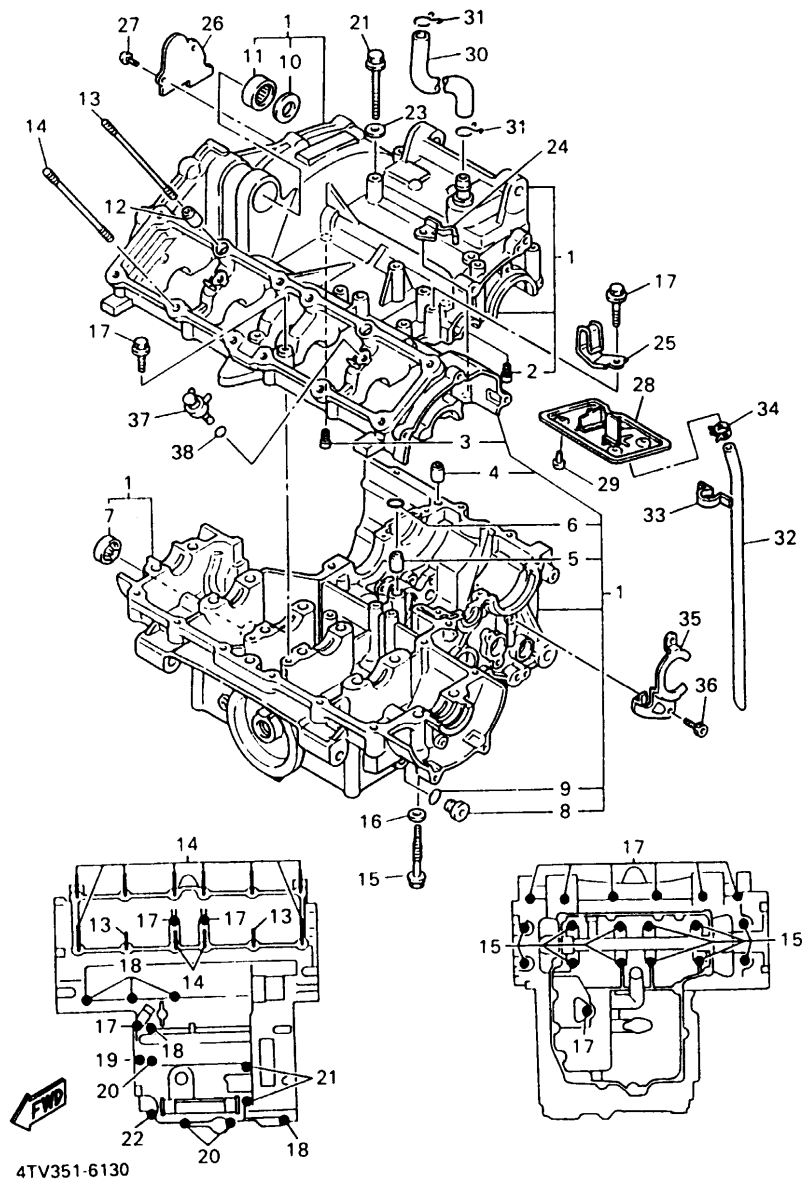


Ref. No.	Part Number	Description	Qty	Remarks
1	4TV-14602-00-00	EXHAUST PIPE COMP.	1	
2	97080-06008-00	..BOLT	4	
3	92990-06600-00	..WASHER, PLATE	4	
4	3YF-14613-01-00	GASKET, EXHAUST PIPE	4	
5	90179-06668-00	NUT	8	
6	95817-08030-00	BOLT, FLANGE	1	
7	90201-08730-00	WASHER, PLATE	1	
8	5AH-14710-00-00	MUFFLER ASSEMBLY 1	1	
9	3XW-14714-00-00	..GASKET, MUFFLER	1	
10	95814-08025-00	..BOLT, FLANGE	1	
11	95814-08020-00	BOLT, FLANGE	1	



4TV351-6120

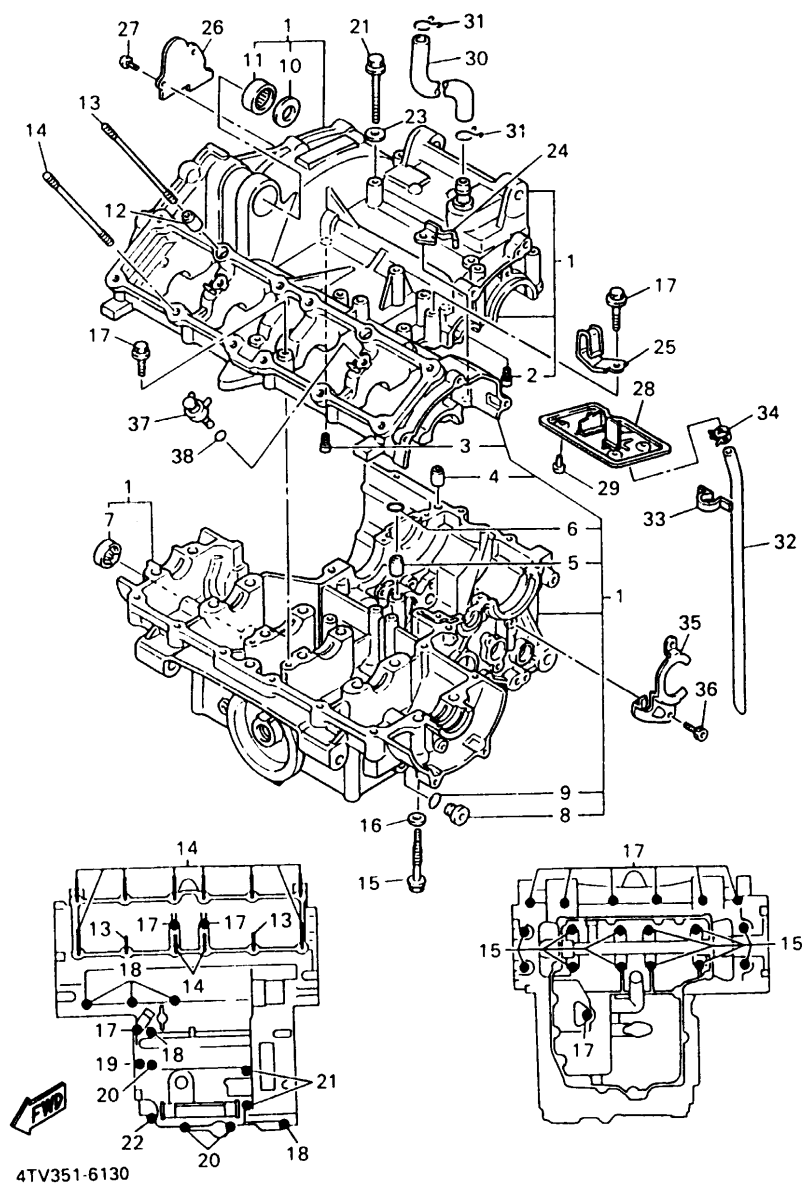
CRANKCASE



Ref. No.	Part Number	Description	Qty	Remarks
1	4JH-15100-03-00	CRANKCASE ASSY	1	
2	11H-15138-00-00	. NOZZLE 1	1	
3	26H-15138-00-00	. NOZZLE 1	1	
4	99530-12016-00	. PIN, DOWEL	1	
5	4JH-15138-00-00	. NOZZLE 1	1	
6	93210-12152-00	. O-RING	1	
7	4H7-15361-00-00	. GAUGE, LEVEL	1	
8	36Y-15189-00-00	. PLUG	2	
9	93210-16325-00	. O-RING	2	
10	90201-237K5-00	. WASHER, PLATE	1	
11	93315-32516-00	. BEARING	1	
12	93612-16254-00	PIN, DOWEL	2	
13	90116-09583-00	BOLT, STUD	2	
14	90116-09584-00	BOLT, STUD	10	
15	90105-08630-00	BOLT, FLANGE	12	
16	90201-087K3-00	WASHER, PLATE	12	
17	95817-06040-00	BOLT, FLANGE	10	
18	95817-06050-00	BOLT, FLANGE	5	
19	95817-06070-00	BOLT, FLANGE	1	
20	95817-06080-00	BOLT, FLANGE	3	
21	95817-06090-00	BOLT, FLANGE	2	
22	95817-08070-00	BOLT, FLANGE	1	
23	90430-06166-00	GASKET	1	
24	90465-10307-00	CLAMP	1	
25	90465-10308-00	CLAMP	1	
26	4JH-11165-00-00	PLATE, BREATHER	1	
27	98507-06012-00	SCREW, PAN HEAD	2	
28	3HE-11145-00-00	PLATE, BREATHER 2	1	
29	98507-06012-00	SCREW, PAN HEAD	4	

CONTINUED ON NEXT FRAME ►

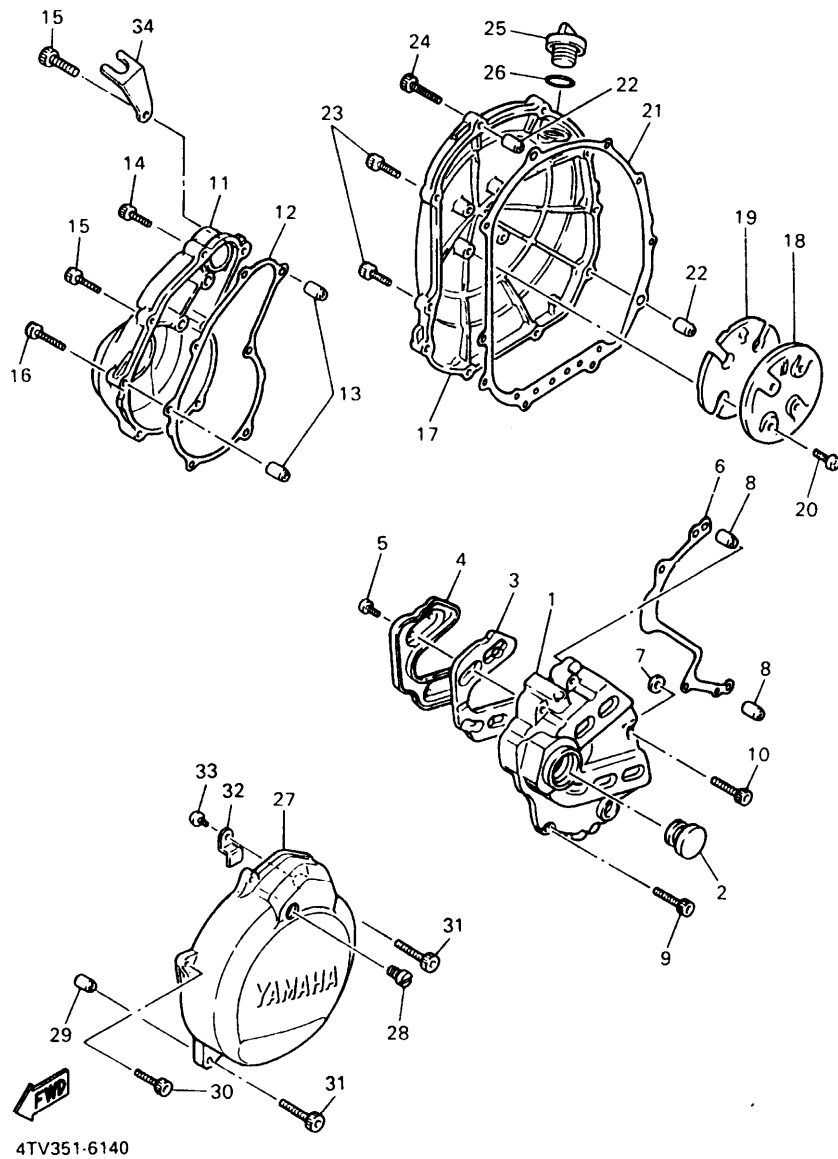
CRANKCASE



Ref. No.	Part Number	Description	Qty	Remarks
30	1WG-11166-00-00	PIPE, BREATHER 1	1	
31	90467-14015-00	CLIP	2	
32	90445-116E9-00	HOSE (L249)	1	
33	90465-06289-00	CLAMP	1	
34	90467-10038-00	CLIP	1	
35	4JH-15381-00-00	PLATE, BEARING COVER	1	
36	91317-06012-00	BOLT	2	
37	3HE-15105-01-00	NOZZLE ASSEMBLY	2	
38	93210-06422-00	O-RING	2	

4TV351-6130

CRANKCASE COVER 1

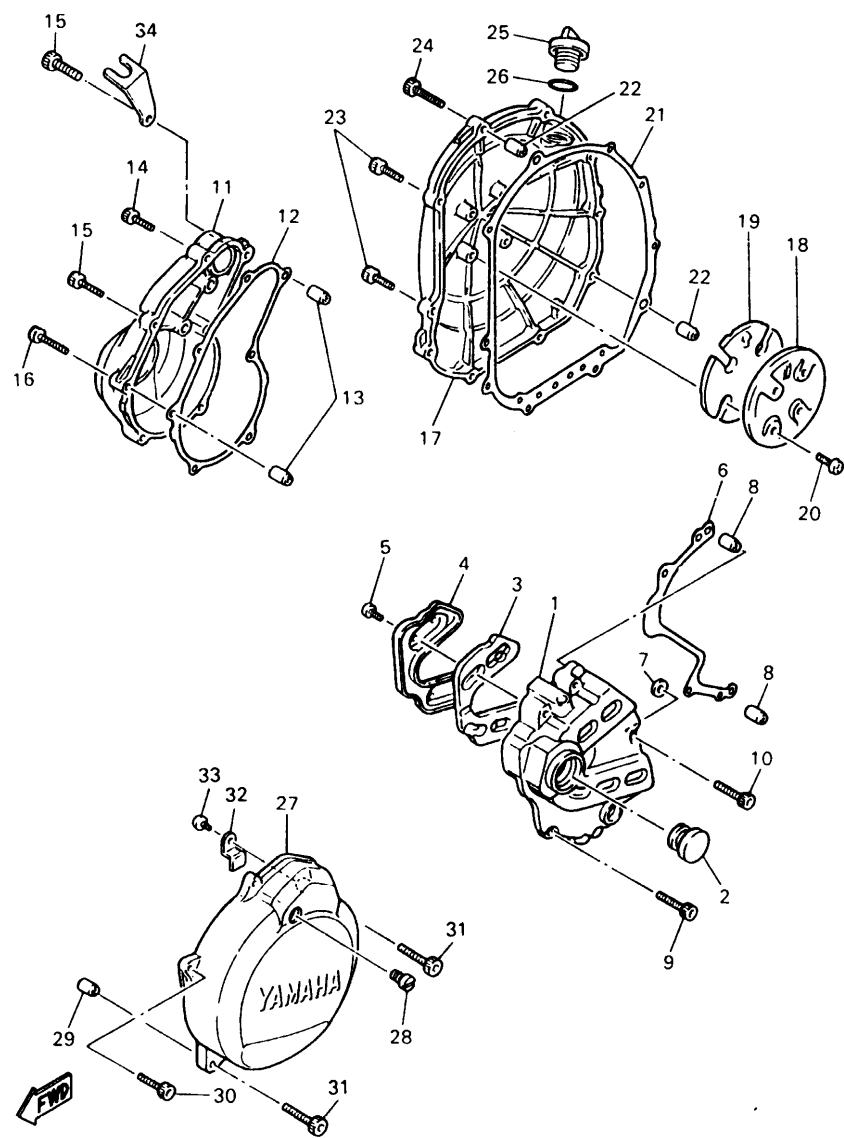


4TV351-6140

Ref. No.	Part Number	Description	Qty	Remarks
1	4JH-15411-00-00	COVER, CRANKCASE 1	1	
2	1L9-15417-00-00	COVER, CAP	1	
3	1WG-15316-00-00	DAMPER, ENGINE MOUNT 1	1	
4	1WG-15427-00-00	COVER, CAP 2	1	
5	98907-05008-00	SCREW, BIND	4	
6	3HE-15451-10-00	GASKET, CRANKCASE COVER 1	1	
7	3HE-15467-10-00	GASKET	1	
8	99530-08016-00	PIN, DOWEL	2	
9	90110-06149-00	BOLT, HEXAGON SOCKET HEAD	4	
10	90110-06130-00	BOLT, HEXAGON SOCKET HEAD	1	
11	4JH-15421-00-00	COVER, CRANKCASE 2	1	
12	4TV-15461-00-00	GASKET, CRANKCASE COVER 2	1	
13	99530-08016-00	PIN, DOWEL	2	
14	91314-06025-00	BOLT	2	
15	91314-06035-00	BOLT	4	
16	91314-06045-00	BOLT	1	
17	4JH-15431-00-00	COVER, CRANKCASE 3	1	
18	1WG-15425-00-00	COVER, GENERATOR 2	1	
19	1WG-15326-00-00	DAMPER, ENGINE MOUNT 2	1	
20	98907-05008-00	SCREW, BIND	4	
21	4TV-15462-00-00	GASKET, CRANKCASE COVER 3	1	
22	99530-08016-00	PIN, DOWEL	2	
23	91314-06025-00	BOLT	8	
24	91314-06035-00	BOLT	2	
25	3F9-15362-00-00	PLUG, OIL LEVEL	1	

CONTINUED ON NEXT FRAME ►

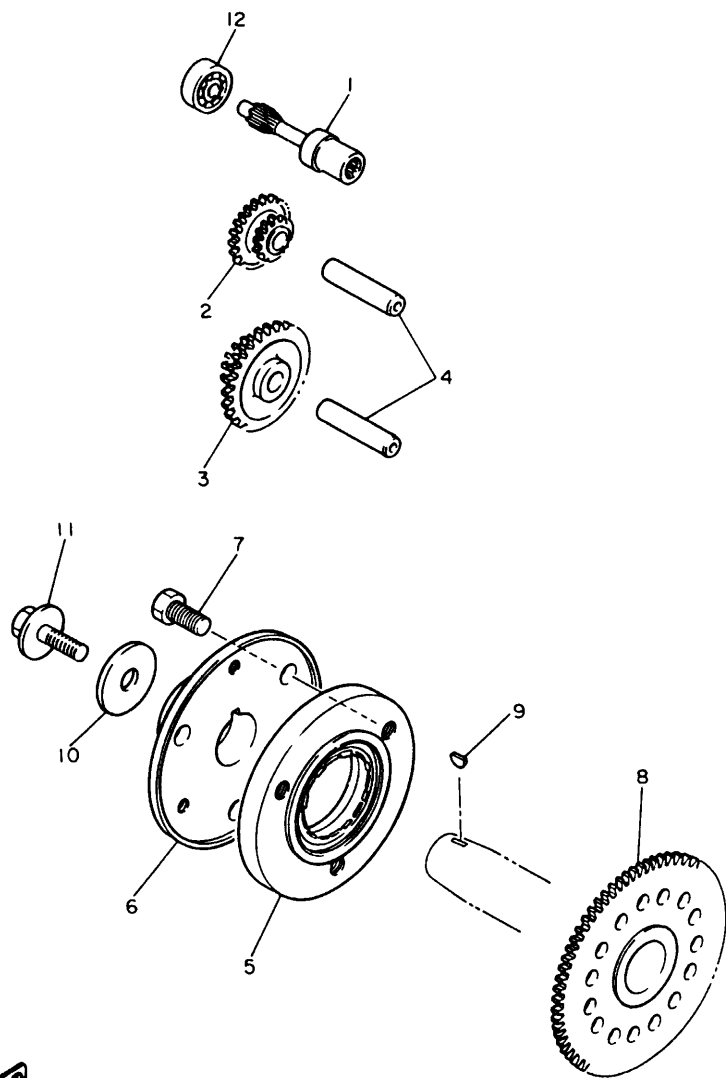
CRANKCASE COVER 1



4TV351-6140

Ref. No.	Part Number	Description	Qty	Remarks
26	93210-27194-00	O-RING	1	
27	4TV-15415-00-00	COVER, GENERATOR	1	
28	90340-08014-00	PLUG, STRAIGHT SCREW	1	
29	99530-08016-00	PIN, DOWEL	2	
30	91314-06025-00	BOLT	3	
31	91314-06035-00	BOLT	2	
32	90462-10182-00	CLAMP	1	
33	98507-06010-00	.SCREW, PAN HEAD	1	
34	4JH-14413-00-00	STAY	1	

STARTER CLUTCH

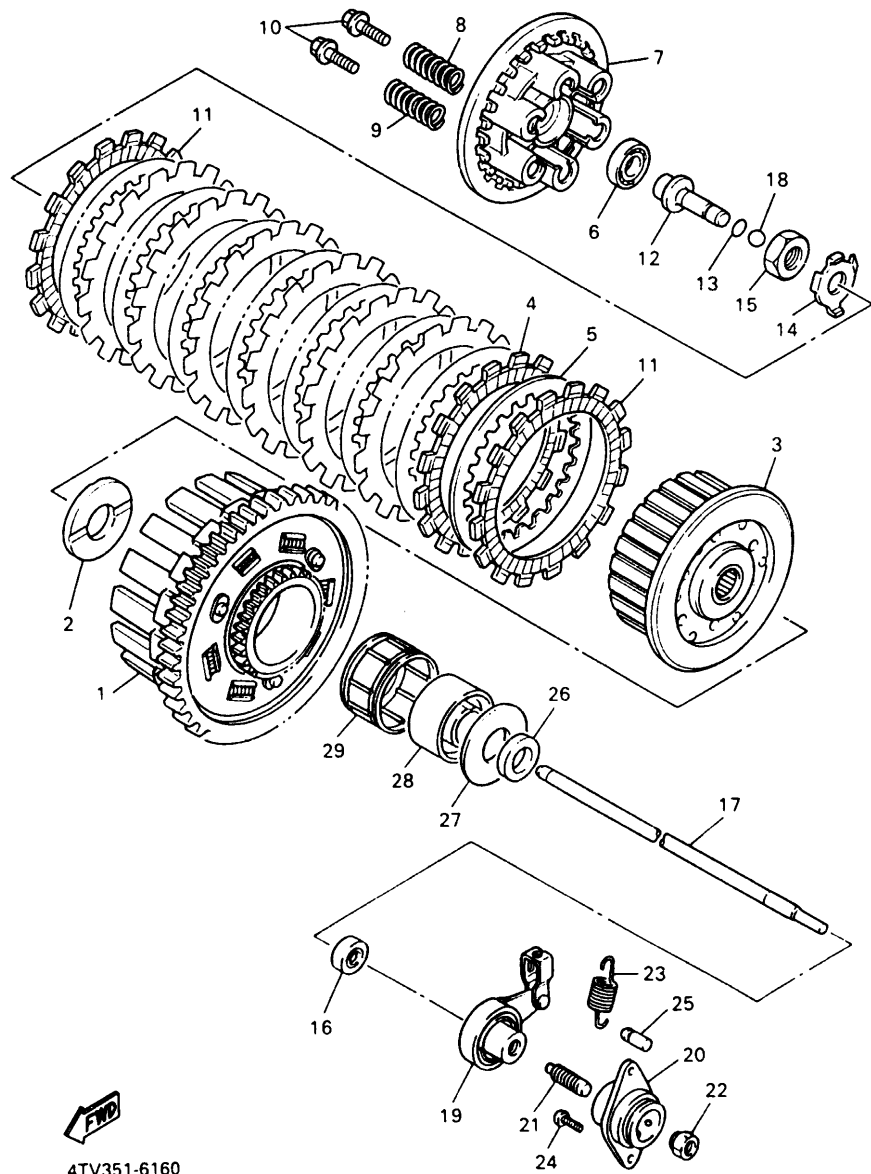


Ref. No.	Part Number	Description	Qty	Remarks
1	3HE-15521-00-00	SHAFT 1	1	
2	3HE-15512-00-00	GEAR, IDLER 1	1	
3	3HE-15517-00-00	GEAR, IDLER 2	1	
4	3TJ-15521-00-00	SHAFT 1	2	
5	3HE-15590-02-00	STARTER ONE-WAY ASSY ...	1	
6	3HE-15524-00-00	WHEEL, STARTER	1	
7	91317-08020-00	.BOLT	3	
8	4JH-15515-00-00	GEAR 3	1	
9	90280-05048-00	KEY, WOODRUFF	1	
10	90201-107K6-00	WASHER, PLATE	1	
11	90105-10445-00	BOLT, FLANGE	1	
12	93306-20006-00	BEARING (B6200)	1	NTN



3HE332-9160

CLUTCH

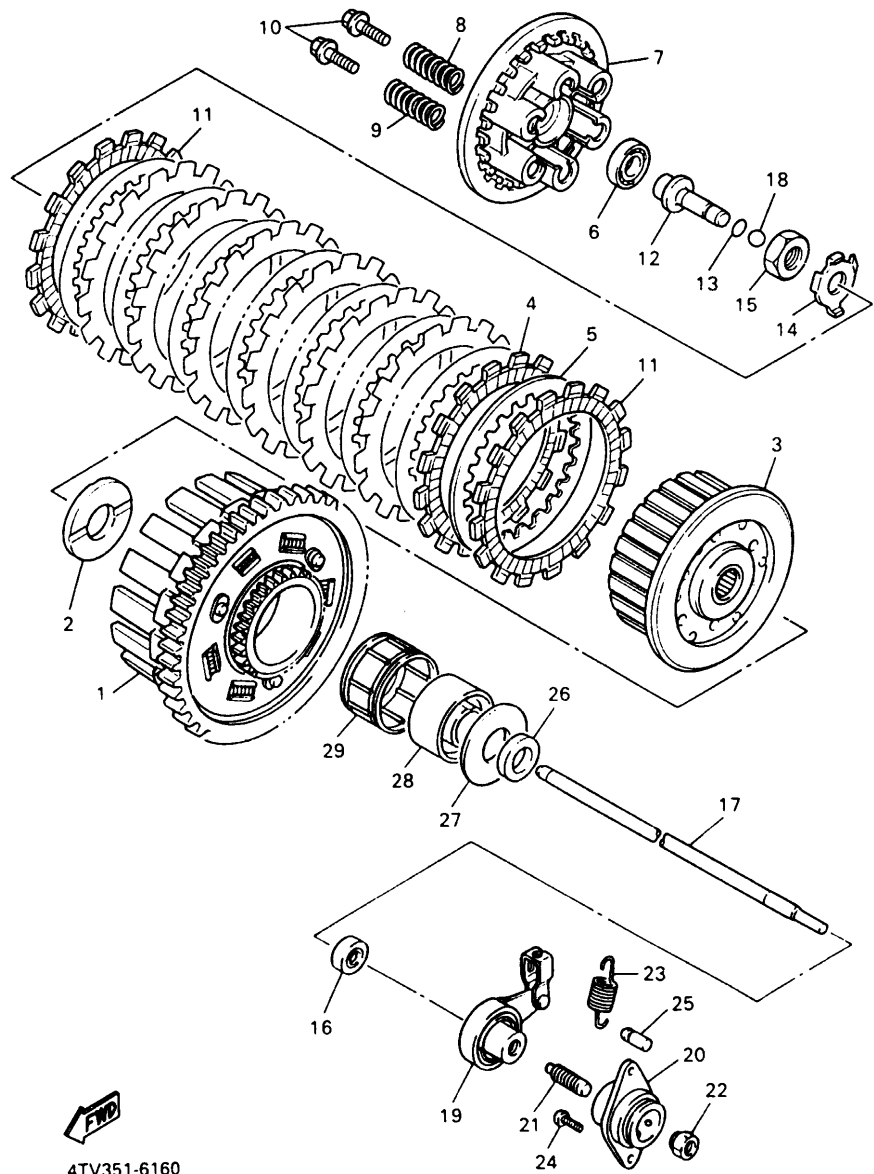


4TV351-6160

Ref. No.	Part Number	Description	Qty	Remarks
1	4JH-16150-00-00	PRIMARY DRIVEN GEAR COMP.	1	
2	1WG-16154-00-00	PLATE, THRUST 1	1	
3	4JH-16371-01-00	BOSS, CLUTCH	1	
4	4JH-16321-00-00	PLATE, FRICTION	7	
5	1LX-16324-00-00	PLATE, CLUTCH 1	8	
6	93306-00105-00	BEARING (B6001)	1	
7	4JH-16351-00-00	PLATE, PRESSURE 1	1	
8	90501-23346-00	SPRING, COMPRESSION	3	
9	90501-224J9-00	SPRING, COMPRESSION	3	
10	90159-06092-00	SCREW, WITH WASHER	6	
11	3JD-16321-00-00	PLATE, FRICTION	2	
12	4JH-16356-00-00	ROD, PUSH 1	1	
13	93210-48364-00	O-RING	1	
14	90215-18225-00	WASHER, LOCK	1	
15	90170-18221-00	NUT	1	
16	93109-08058-00	OIL SEAL (SD07 8-21-5.5 HS) .	1	
17	4JH-16357-00-00	ROD, PUSH 2	1	
18	93505-16006-00	BALL	1	
19	4JH-16340-00-00	PUSH LEVER ASSY	1	
20	1WG-16304-00-00	BALL SCREW HOUSING ASSY	1	
21	90113-08021-00	BOLT, SET	1	
22	90179-08179-00	NUT	1	
23	90506-11488-00	SPRING, TENSION	1	
24	90157-05065-00	SCREW, PAN HEAD	2	
25	132-16346-00-00	HOOK, SPRING	1	
26	90387-212R3-00	COLLAR	1	
27	1WG-16164-00-00	PLATE, THRUST 2	1	
28	1WG-16181-00-00	SPACER 1	1	

CONTINUED ON NEXT FRAME ►

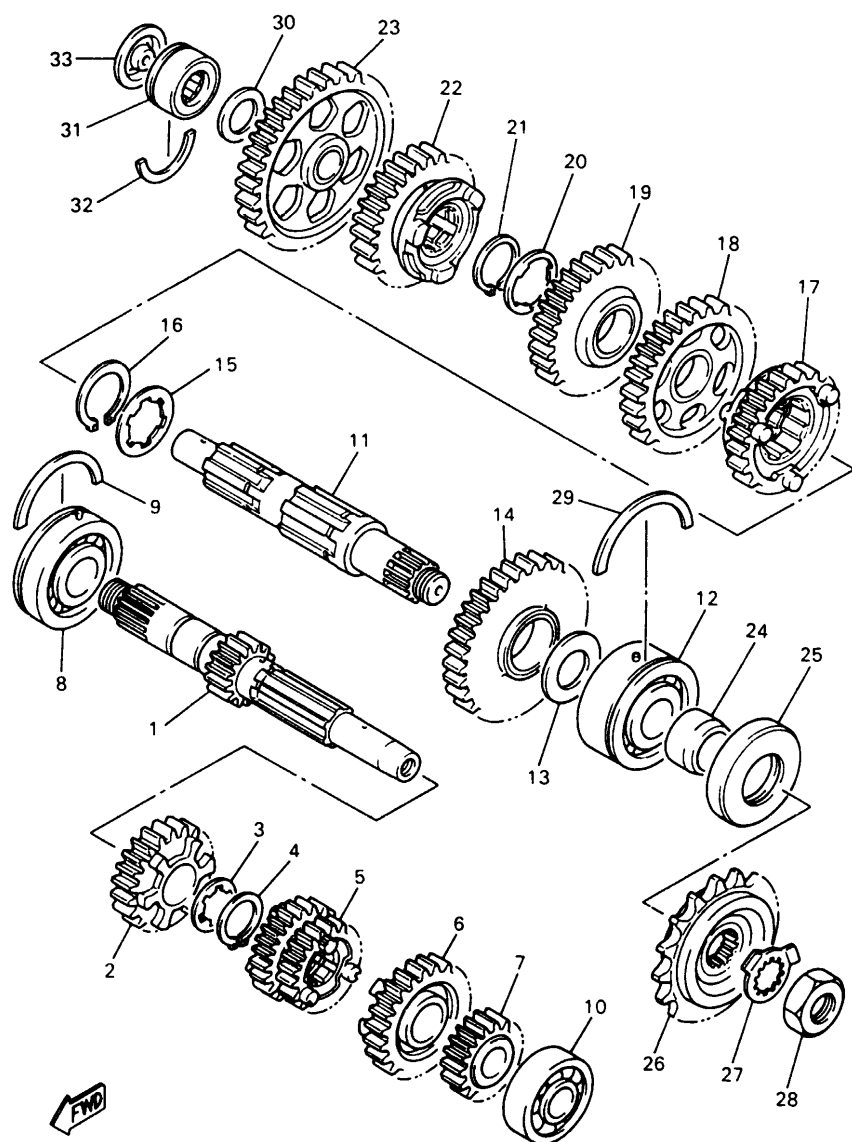
CLUTCH



Ref. No.	Part Number	Description	Qty	Remarks
29	93310-345R8-00	BEARING	1	

4TV351-6160

TRANSMISSION

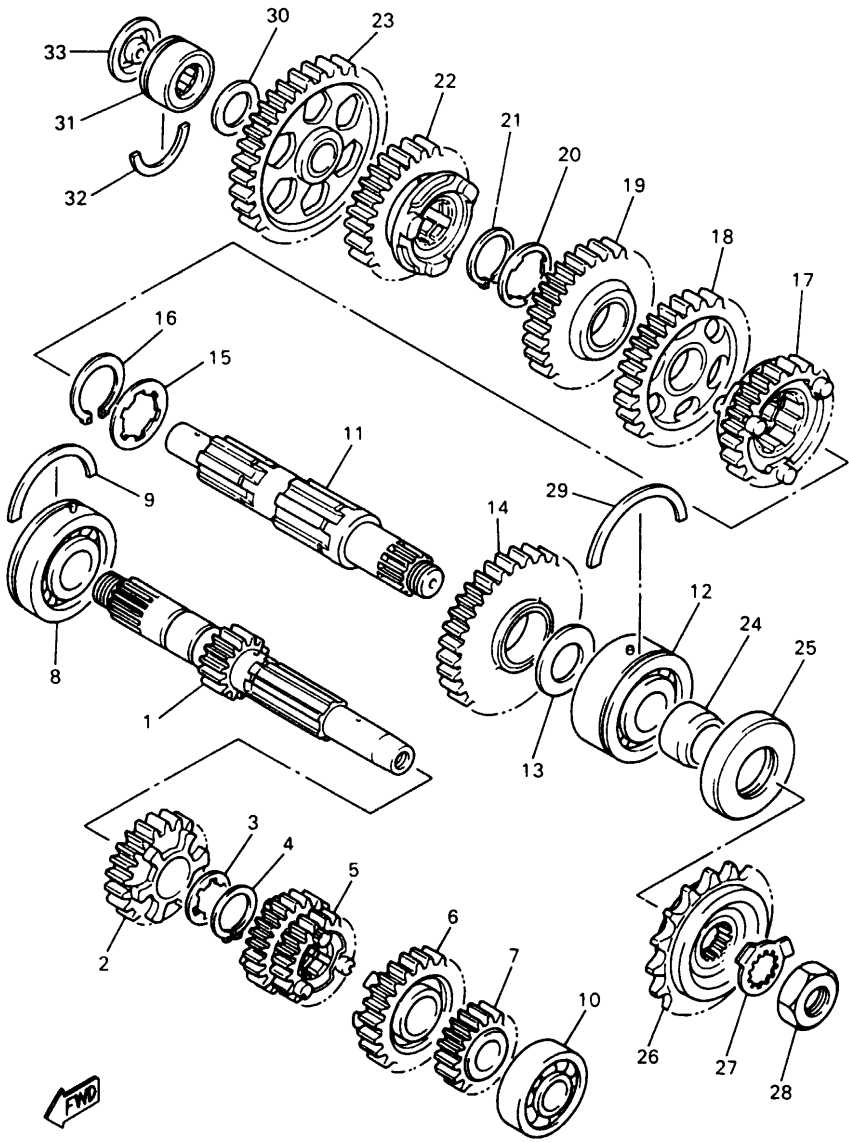


4JH351-4170

Ref. No.	Part Number	Description	Qty	Remarks
1	4JH-17411-00-00	AXLE, MAIN (13T)	1	
2	4TV-17151-00-00	GEAR, 5TH PINION (21T)	1	
3	90209-22191-00	WASHER	1	
4	93440-25084-00	CIRCLIP	1	
5	4JH-17131-00-00	GEAR, 3RD/4TH PINION (22T/21T)	1	
6	4TV-17161-00-00	GEAR, 6TH PINION (27T)	1	
7	4TV-17121-00-00	GEAR, 2ND PINION (19T)	1	
8	93306-37208-00	BEARING	1	
9	93440-54152-00	CIRCLIP	1	
10	93306-20464-00	BEARING	1	
11	4TV-17421-00-00	AXLE, DRIVE	1	
12	93305-20509-00	BEARING	1	
13	4TV-17417-00-00	SHIM 1	1	
14	4JH-17221-00-00	GEAR, 2ND WHEEL (37T)	1	
15	90209-27336-00	WASHER	1	
16	93440-30077-00	CIRCLIP	1	
17	4TV-17261-00-00	GEAR, 6TH WHEEL (29T)	1	
18	4JH-17231-00-00	GEAR, 3RD WHEEL (34T)	1	
19	4JH-17241-00-00	GEAR, 4TH WHEEL (28T)	1	
20	90209-22191-00	WASHER	1	
21	93440-25084-00	CIRCLIP	1	
22	4TV-17251-00-00	GEAR, 5TH WHEEL (25T)	1	
23	4JH-17211-00-00	GEAR, 1ST WHEEL (37T)	1	
24	90387-2504A-00	COLLAR	1	
25	93102-35368-00	OIL SEAL	1	
26	4TV-17460-00-00	SPROCKET, DRIVE (15T)	1	
27	90215-21022-00	WASHER, LOCK	1	
28	90179-18020-00	NUT	1	

CONTINUED ON NEXT FRAME ►

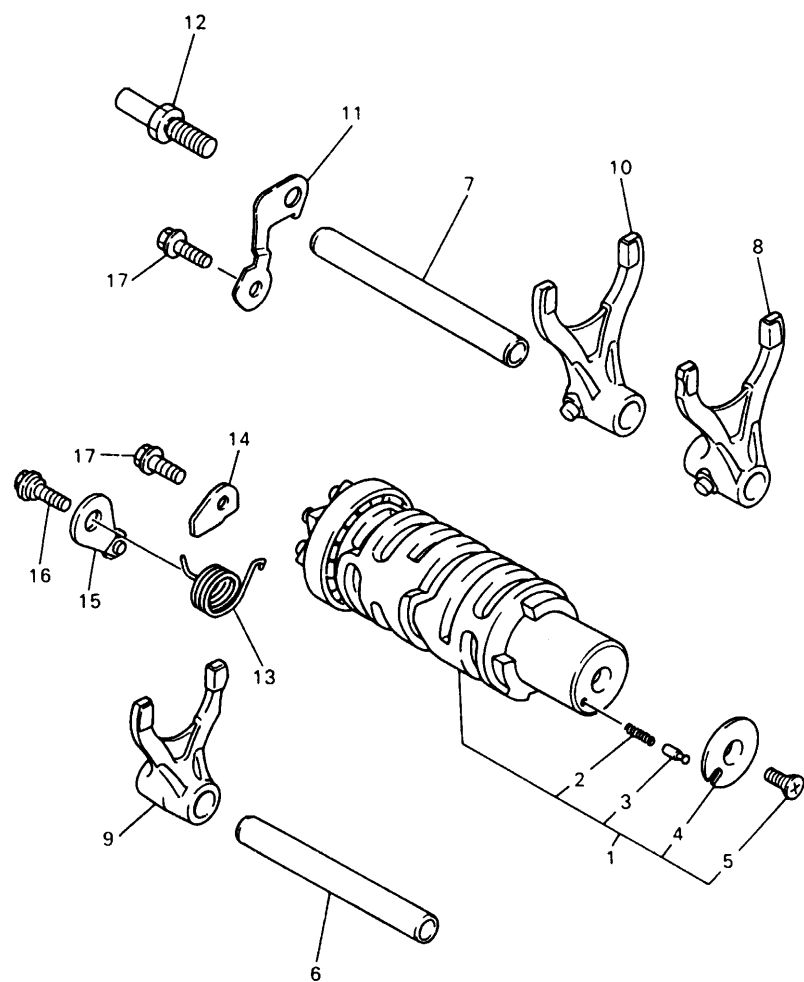
TRANSMISSION



4JH351-4170

Ref. No.	Part Number	Description	Qty	Remarks
29	93440-52014-00	CIRCLIP	1	
30	90201-20276-00	WASHER, PLATE (1.0T)	1	
31	93311-42045-00	BEARING (20NG3315NE)	1	
32	278-17425-00-00	CIRCLIP 2	1	
33	4G0-17433-01-00	NOZZLE	1	

SHIFT CAM FORK

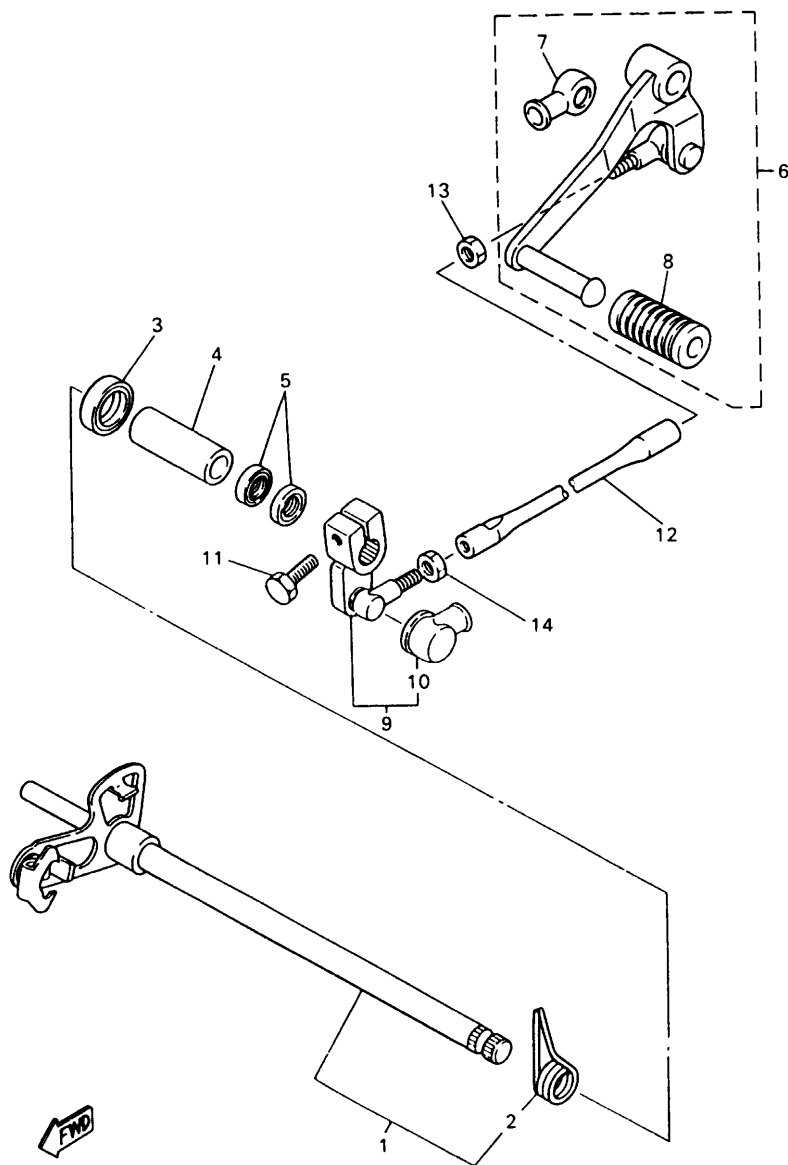


Ref. No.	Part Number	Description	Qty	Remarks
1	4JH-18540-00-00	SHIFT CAM ASSEMBLY	1	
2	90501-06022-00	. .SPRING, COMPRESSION	1	
3	278-18542-00-00	. POINT, NEUTRAL	1	
4	278-18566-00-00	. PLATE, SIDE 2	1	
5	98707-05012-00	. SCREW, COUNTERSUNK	1	
6	4JH-18531-01-00	BAR, SHIFT FORK GUIDE 1	1	
7	4JH-18535-00-00	BAR, SHIFT FORK GUIDE 2	1	
8	4JH-18511-00-00	FORK, SHIFT 1	1	
9	4JH-18512-00-00	FORK, SHIFT 2	1	
10	4JH-18513-00-00	FORK, SHIFT 3	1	
11	1WG-18536-00-00	STOPPER, SHIFT BAR	1	
12	1HX-18127-00-00	STOPPER, SCREW	1	
13	90508-237A0-00	SPRING, TORSION	1	
14	1WG-18562-00-00	PLATE, STOPPER 2	1	
15	36Y-18140-00-00	STOPPER LEVER ASSY	1	
16	90109-063F7-00	BOLT	1	
17	95827-06016-00	BOLT, FLANGE	2	



4JH351-4180

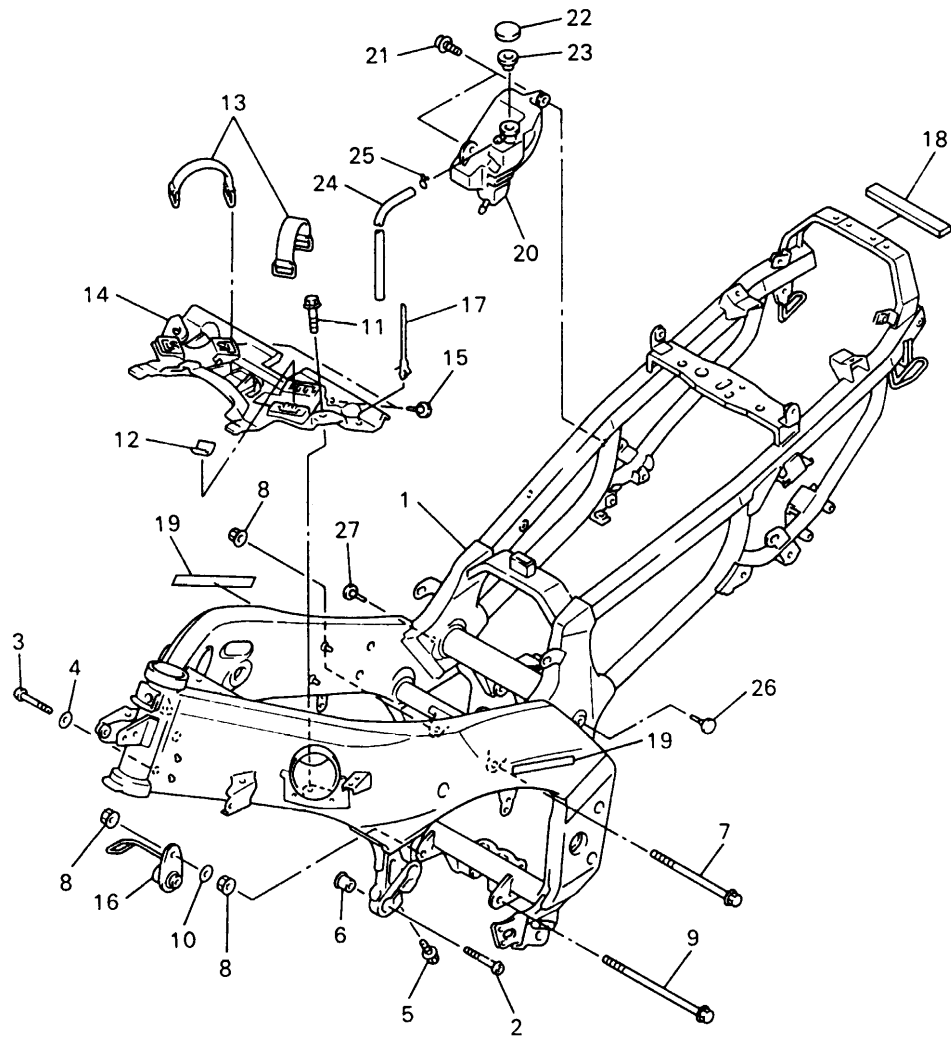
SHIFT SHAFT



4JH351-4190

Ref. No.	Part Number	Description	Qty	Remarks
1	4JH-18101-00-00	SHIFT SHAFT ASSY	1	
2	90508-32682-00	. SPRING, TORSION	1	
3	93102-12106-00	OIL SEAL (SD 12-22-5 HS)	1	
4	90560-12211-00	SPACER	1	
5	93109-12053-00	OIL SEAL (SDO 12/18/4-1)	2	
6	4JH-18110-01-00	SHIFT PEDAL ASSY	1	
7	2H9-18154-00-00	. .COVER, DUST	1	
8	132-18113-01-00	. COVER, SHIFT PEDAL	1	
9	4JH-18130-00-00	SHIFT SHAFT ASSY	1	
10	2H9-18154-00-00	. .COVER, DUST	1	
11	97027-06020-00	BOLT	1	
12	4JH-18115-01-00	ROD, SHIFT	1	
13	90170-08358-00	NUT	1	
14	95304-08700-00	NUT	1	

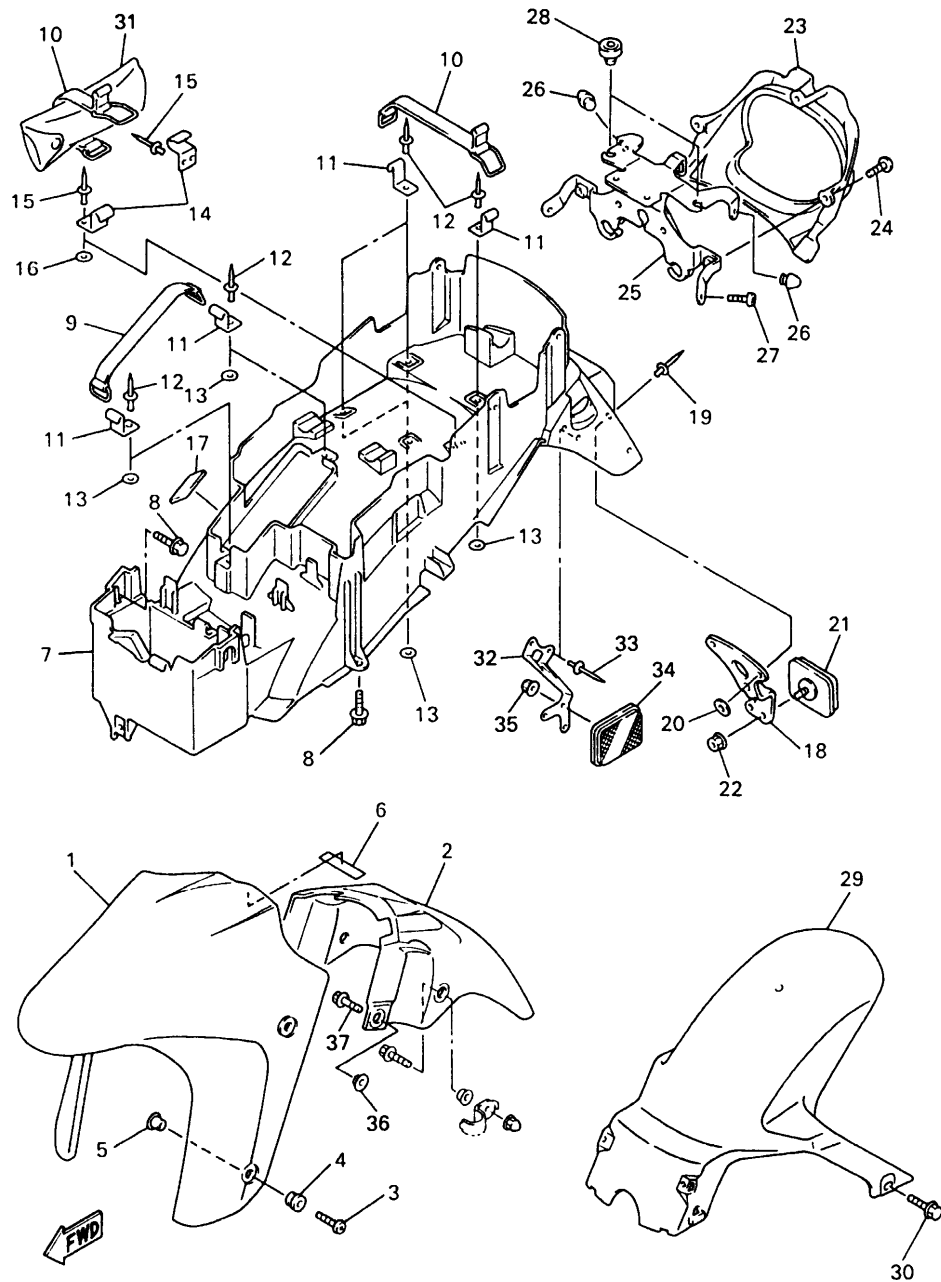
FRAME



4TV351-6200

Ref. No.	Part Number	Description	Qty	Remarks
1	4TV-21110-01-35	FRAME COMP.	1	SL
2	91314-10045-00	BOLT	2	
3	91314-10050-00	BOLT	2	
4	90201-110T8-00	WASHER, PLATE	2	
5	95814-10025-00	BOLT, FLANGE	2	
6	90387-115V8-00	COLLAR	2	
7	90105-10731-00	BOLT, FLANGE	1	
8	95707-10500-00	NUT, FLANGE	3	
9	95827-10175-00	BOLT, FLANGE	1	
10	90201-10774-00	WASHER, PLATE	1	
11	90119-06044-00	BOLT, WITH WASHER	2	
12	31A-28217-00-00	DAMPER 1	2	
13	36X-2811G-00-00	BAND	2	
14	4TV-2117M-00-00	COVER 2	1	
15	36Y-21639-00-00	DAMPER 2	2	
16	4JH-21446-00-00	STAY, MUFFLER 2	1	
17	90464-12089-00	CLAMP	2	
18	4TV-21486-00-00	DAMPER 2	1	
19	4SV-28328-11-00	EMBLEM	2	
20	4FM-21871-02-00	TANK, RECOVERY	1	
21	90159-06033-00	SCREW, WITH WASHER	1	
22	4L0-21875-00-00	CAP	1	
23	1AA-21874-00-00	.GASKET	1	
24	90445-08786-00	HOSE (L730)	1	
25	90467-08003-00	CLIP	1	
26	36Y-21639-00-00	DAMPER 2	1	
27	36Y-21639-00-00	DAMPER 2	1	

FENDER

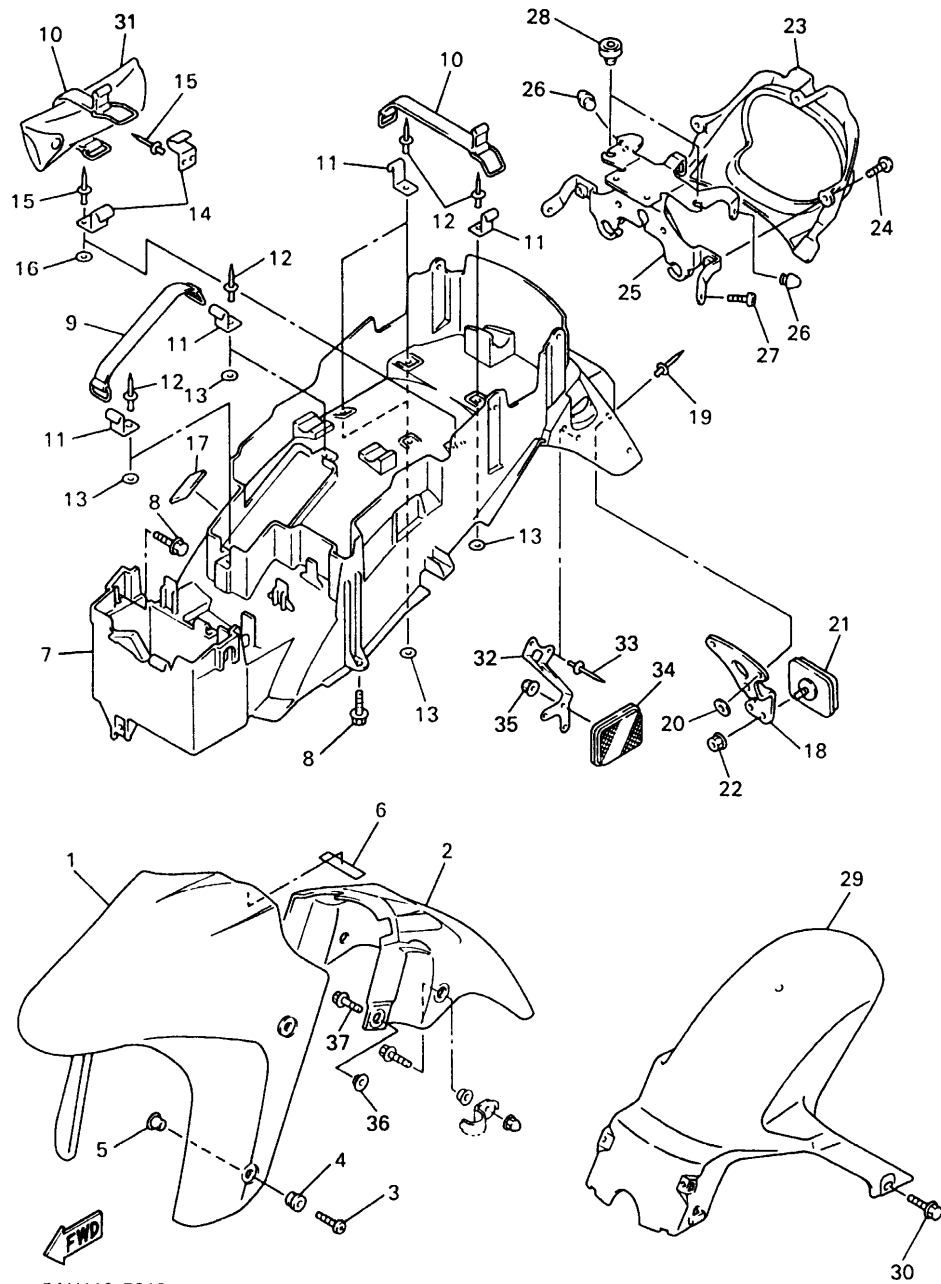


5AH110-7210

Ref. No.	Part Number	Description	Qty	Remarks
1	4SV-21511-00-6M	FENDER, FRONT	1	UR SS FOR BL2
	4SV-21511-00-P1	FENDER, FRONT	1	UR VRC1 FOR VRC1
	4SV-21511-00-P5	FENDER, FRONT	1	UR DPBMC FOR DPBMC
2	4SV-21556-00-00	FENDER, FRONT 2	1	
3	90154-06061-00	SCREW, BINDING	4	
4	90480-12072-00	GROMMET	4	
5	90387-065J6-00	COLLAR	4	
6	1LJ-2414J-00-00	DAMPER, PLATE 2	1	
7	4TV-21611-00-00	FENDER, REAR	1	
8	90119-06118-00	BOLT, WITH WASHER	6	
9	4J2-82131-01-00	BAND, BATTERY	1	
10	36X-2811G-00-00	BAND	3	
11	4HM-2162A-00-00	HOOK	6	
12	90267-40076-00	RIVET, BLIND	6	
13	90201-04018-00	WASHER, PLATE	6	
14	3VD-21366-00-00	HOOK, TOOL BAND	2	
15	90267-40076-00	RIVET, BLIND	4	
16	90201-04018-00	WASHER, PLATE	2	
17	3XV-21778-00-00	DAMPER, LOCATING 1	1	
18	4TV-85132-00-00	BRACKET, REFLECTOR 1	1	
19	90267-40076-00	RIVET, BLIND	2	
20	90201-04018-00	WASHER, PLATE	2	
21	3G1-85130-01-00	REAR REFLECTOR ASSY	1	
22	95707-05500-00	NUT, FLANGE	1	
23	4TV-2163E-00-00	COVER, REAR FENDER 2	1	
24	90154-05059-00	SCREW, BINDING	3	
25	4TV-2117E-11-00	BRACKET, TAILLIGHT	1	
26	42U-21639-00-00	DAMPER 2	2	

CONTINUED ON NEXT FRAME ►

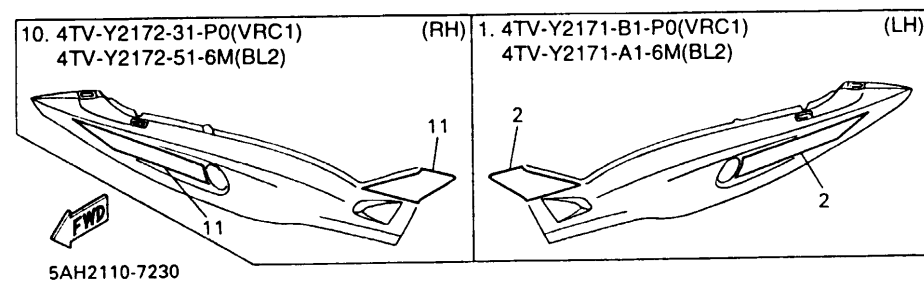
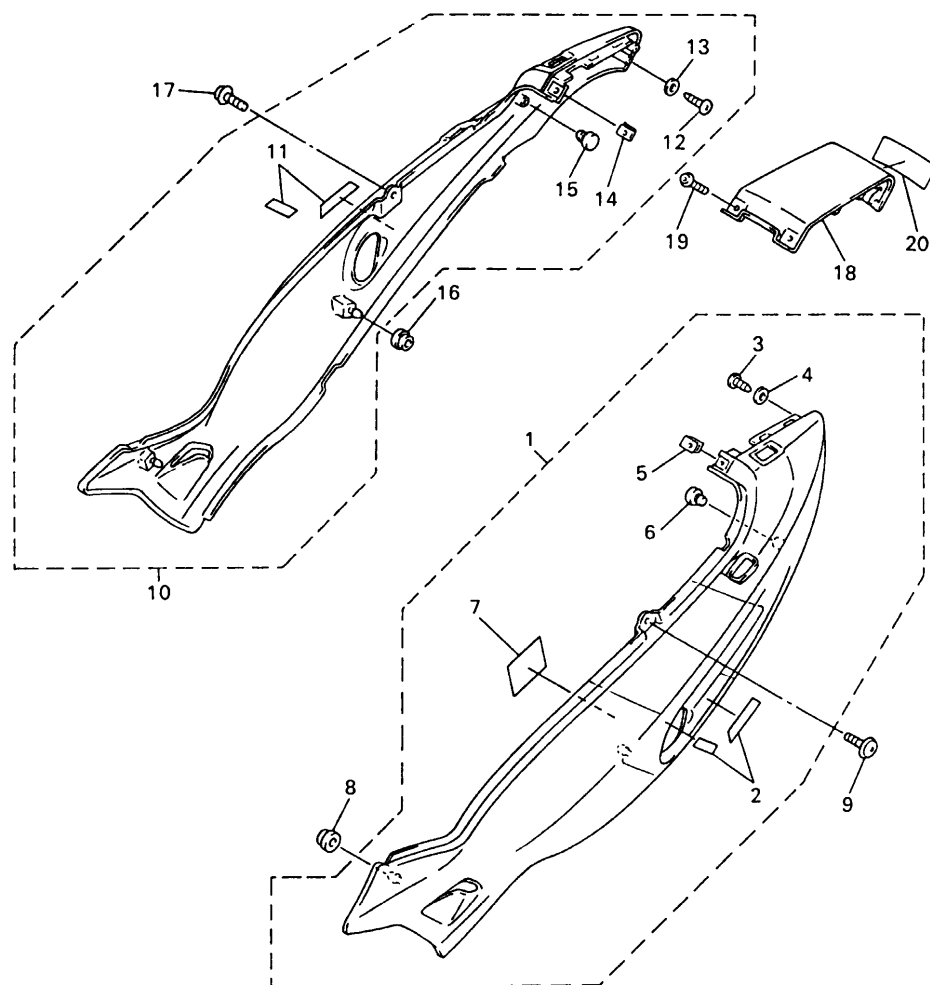
FENDER



5AH110-7210

Ref. No.	Part Number	Description	Qty	Remarks
27	92017-06016-00	BOLT, BUTTON HEAD	4	
28	4G0-24723-00-00	DAMPER, SEAT	2	
29	4JH-21650-00-00	REAR FENDER COMP.	1	
30	90119-06194-00	BOLT, WITH WASHER	3	
31	1WG-28100-01-00	TOOL KIT	1	
32	4FM-21688-00-00	BRACKET, REAR STAY	2	
33	90267-40035-00	RIVET, BLIND	4	
34	3G1-85130-01-00	REAR REFLECTOR ASSY	2	
35	95707-05500-00	NUT, FLANGE	4	
36	90387-07717-00	COLLAR	2	
37	90119-06097-00	BOLT, WITH WASHER	2	

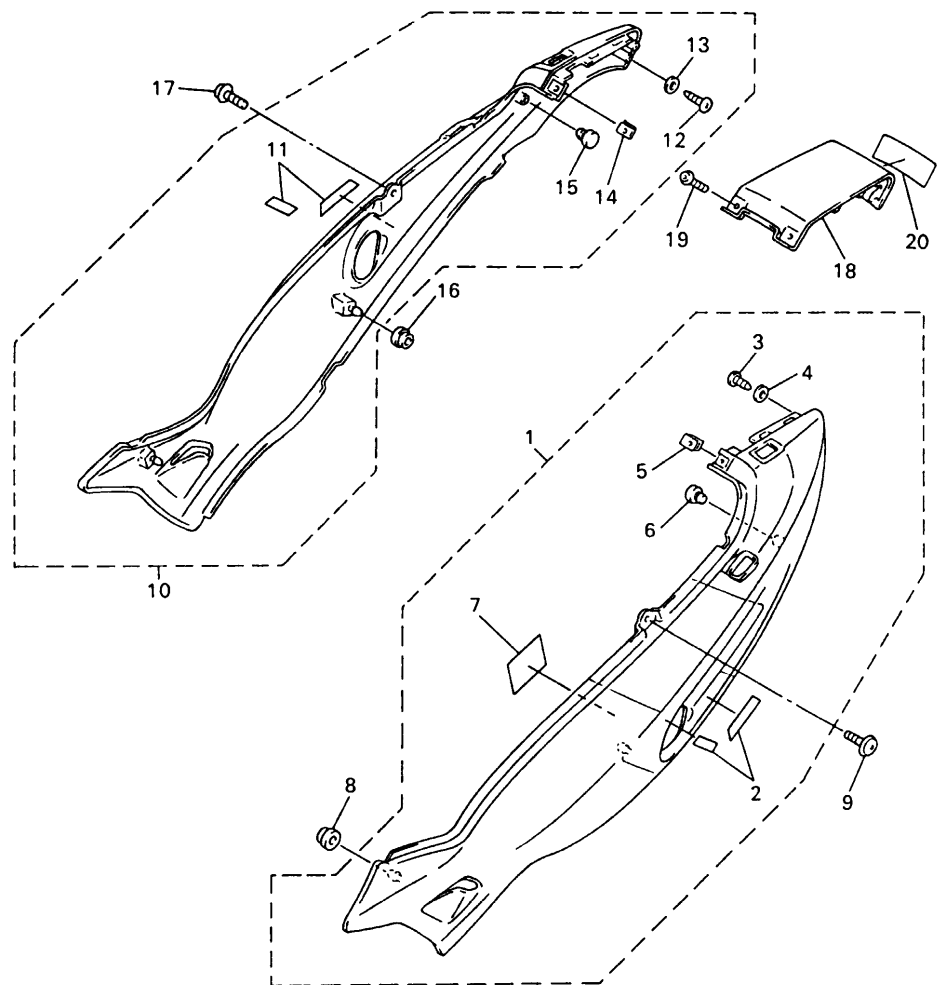
SIDE COVER



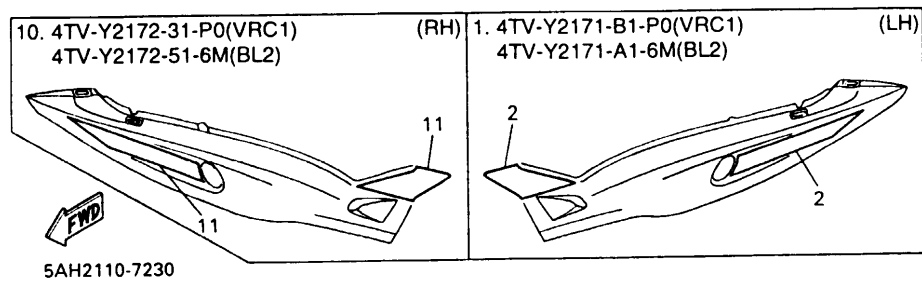
Ref. No.	Part Number	Description	Qty	Remarks
1	4TV-Y2171-B1-P0	COVER, SIDE 1	1	UR BWC1 FOR VRC1
	4TV-Y2171-61-0X	COVER, SIDE 1	1	UR DPBMC/ BWC1 FOR DPBMC
	4TV-Y2171-A1-6M	COVER, SIDE 1	1	UR SS FOR BL2
2	4TV-2173L-00-00	. GRAPHIC SET 1	1	UR FOR VRC1
	5AH-2173L-00-00	. GRAPHIC SET 1	1	UR FOR DPBMC
	4TV-2173L-20-00	. GRAPHIC SET 1	1	UR FOR BL2
3	97707-40010-00	. SCREW, TAPPING	1	
4	90201-042E0-00	. WASHER, PLATE	1	
5	90183-05024-00	. NUT, SPRING	1	
6	90338-10132-00	. PLUG	1	
7	5AH-2179R-00-00	. PLATE, EPA 2 (CALIFORNIA)	1	
8	90480-13567-00	GROMMET	2	
9	90159-06033-00	SCREW, WITH WASHER	1	
10	4TV-Y2172-31-P0	COVER, SIDE 2	1	UR BWC1 FOR VRC1
	4TV-Y2172-41-0X	COVER, SIDE 2	1	UR DPBMC/ BWC1 FOR DPBMC
	4TV-Y2172-51-6M	COVER, SIDE 2	1	UR SS FOR BL2
11	4TV-2174L-00-00	. GRAPHIC SET 2	1	UR FOR VRC1
	5AH-2174L-00-00	. GRAPHIC SET 2	1	UR FOR DPBMC
	4TV-2174L-20-00	. GRAPHIC SET 2	1	UR FOR BL2
12	97707-40010-00	. SCREW, TAPPING	1	
13	90201-042E0-00	. WASHER, PLATE	1	
14	90183-05024-00	. NUT, SPRING	1	
15	90338-10132-00	. PLUG	1	
16	90480-13567-00	GROMMET	2	
17	90159-06033-00	SCREW, WITH WASHER	1	
18	4TV-21651-00-6M	COVER, REAR FENDER	1	UR SS FOR BL2
	4TV-21651-00-P0	COVER, REAR FENDER	1	UR BWC1 FOR VRC1

CONTINUED ON NEXT FRAME ►

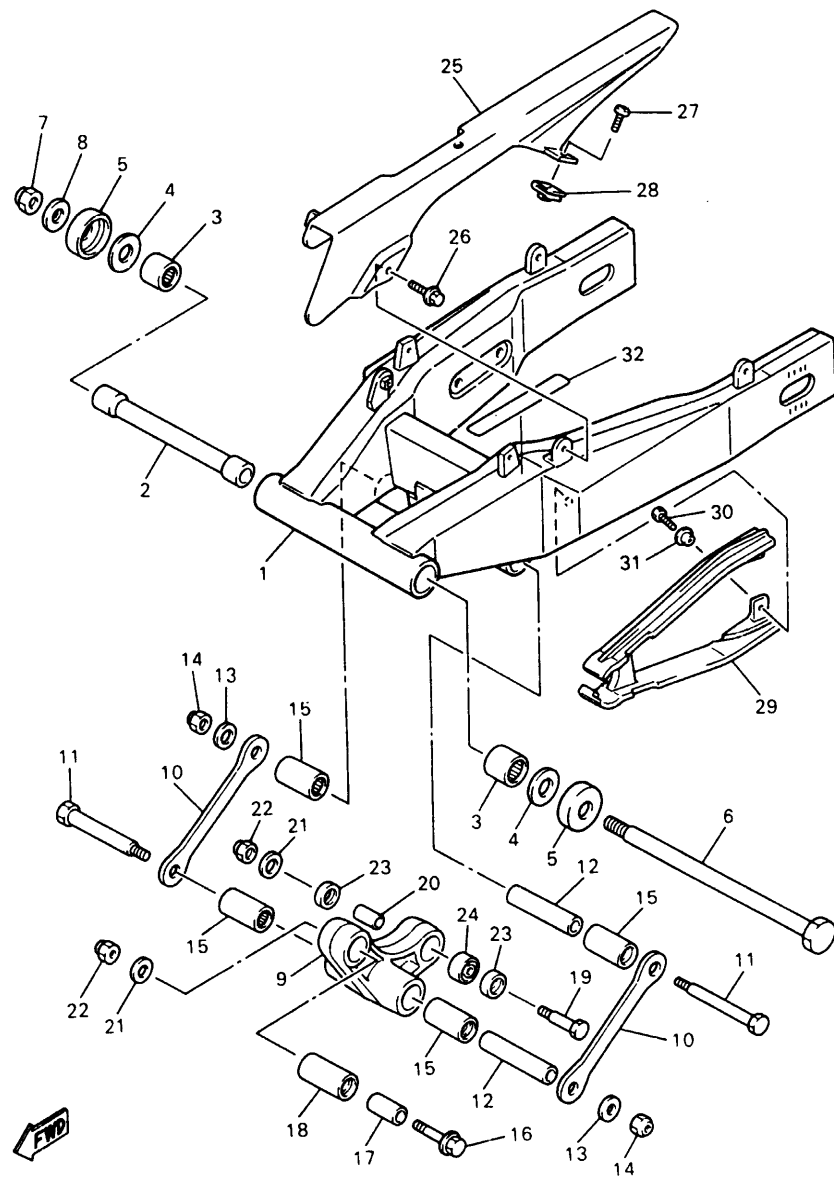
SIDE COVER



Ref. No.	Part Number	Description	Qty	Remarks
18	4TV-21651-00-P2	COVER, REAR FENDER	1	UR DPBMC FOR DPBMC
19	90154-05059-00	SCREW, BINDING	2	
20	99234-00080-00	EMBLEM, YAMAHA	1	
	99231-00080-00	EMBLEM, YAMAHA	1	UR FOR DPBMC



REAR ARM

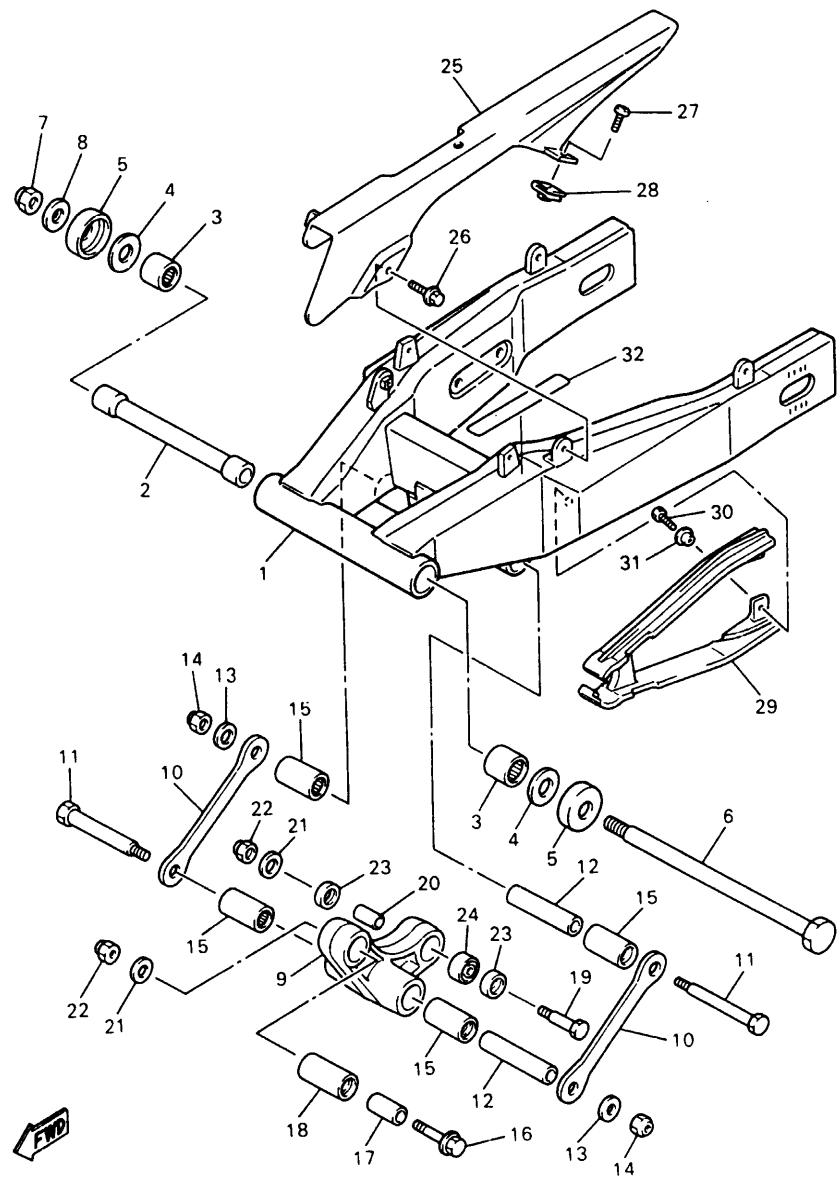


4TV351-6230

Ref. No.	Part Number	Description	Qty	Remarks
1	4JH-22110-00-35	REAR ARM COMP.	1	SL
2	47X-22184-00-00	BUSH	1	
3	93320-32403-00	BEARING	2	
4	90201-161J3-00	WASHER, PLATE	2	
5	4X7-22129-00-00	COVER, THRUST 2	2	
6	1UY-22141-01-00	SHAFT, PIVOT	1	
7	90185-16127-00	NUT, SELF-LOCKING	1	
8	90201-160F6-00	WASHER, PLATE	1	
9	4TV-2217A-00-00	ARM, RELAY	1	
10	3GM-2217M-00-00	ARM 1	2	
11	90101-12673-00	BOLT	2	
12	90387-126T1-00	COLLAR	2	
13	90201-126A7-00	WASHER, PLATE	2	
14	95617-12100-00	NUT, U	2	
15	93317-41761-00	BEARING	4	
16	90105-10727-00	BOLT, FLANGE	1	
17	90387-100T8-00	COLLAR	1	
18	93317-42060-00	BEARING	1	
19	90101-10659-00	BOLT	1	
20	90387-127W0-00	COLLAR	1	
21	90201-101J1-00	WASHER, PLATE	2	
22	95607-10100-00	NUT, U	2	
23	93109-17048-00	OIL SEAL (SDO 17-24-4)	2	
24	93317-31771-00	BEARING	1	
25	4JH-22311-00-00	CASE, CHAIN	1	
26	90119-06194-00	BOLT, WITH WASHER	1	
27	90154-05013-00	SCREW, BINDING	2	
28	90183-05024-00	NUT, SPRING	2	
29	4JH-22151-00-00	SEAL, GUARD	1	

CONTINUED ON NEXT FRAME ►

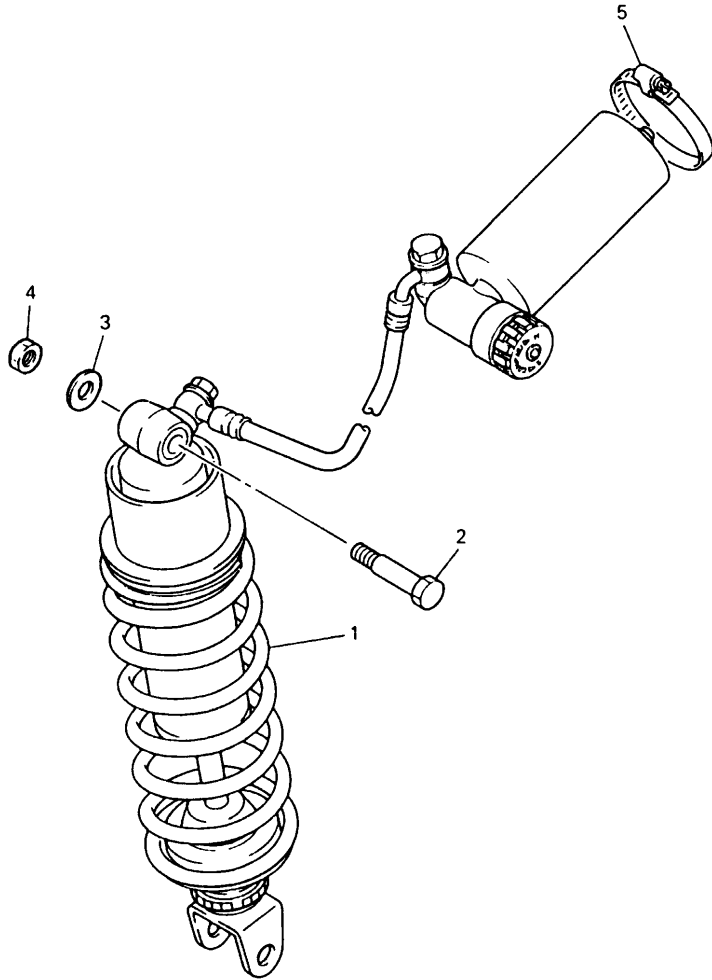
REAR ARM



4TV351-6230

Ref. No.	Part Number	Description	Qty	Remarks
30	97007-06014-00	BOLT	2	
31	90387-081R2-00	COLLAR	2	
32	3TU-28344-00-00	TAPE	1	

REAR SUSPENSION

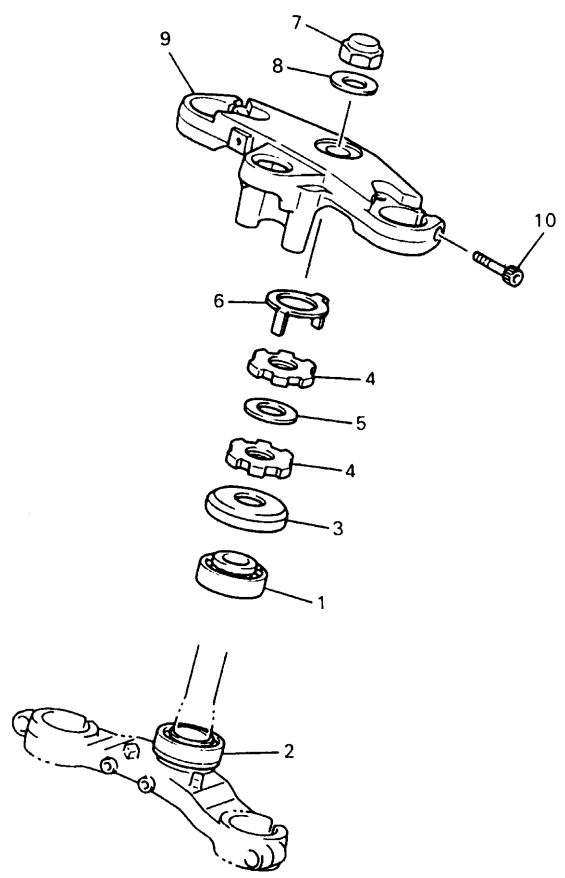


Ref. No.	Part Number	Description	Qty	Remarks
1	4TV-22210-10-00	SHOCK ABSORBER ASSEMBLY, REAR	1	
2	90109-10554-00	BOLT	1	
3	90201-101J1-00	WASHER, PLATE	1	
4	95607-10100-00	NUT, U	1	
5	90450-32008-00	.HOSE CLAMP ASSY	1	



4TV351-6240

STEERING

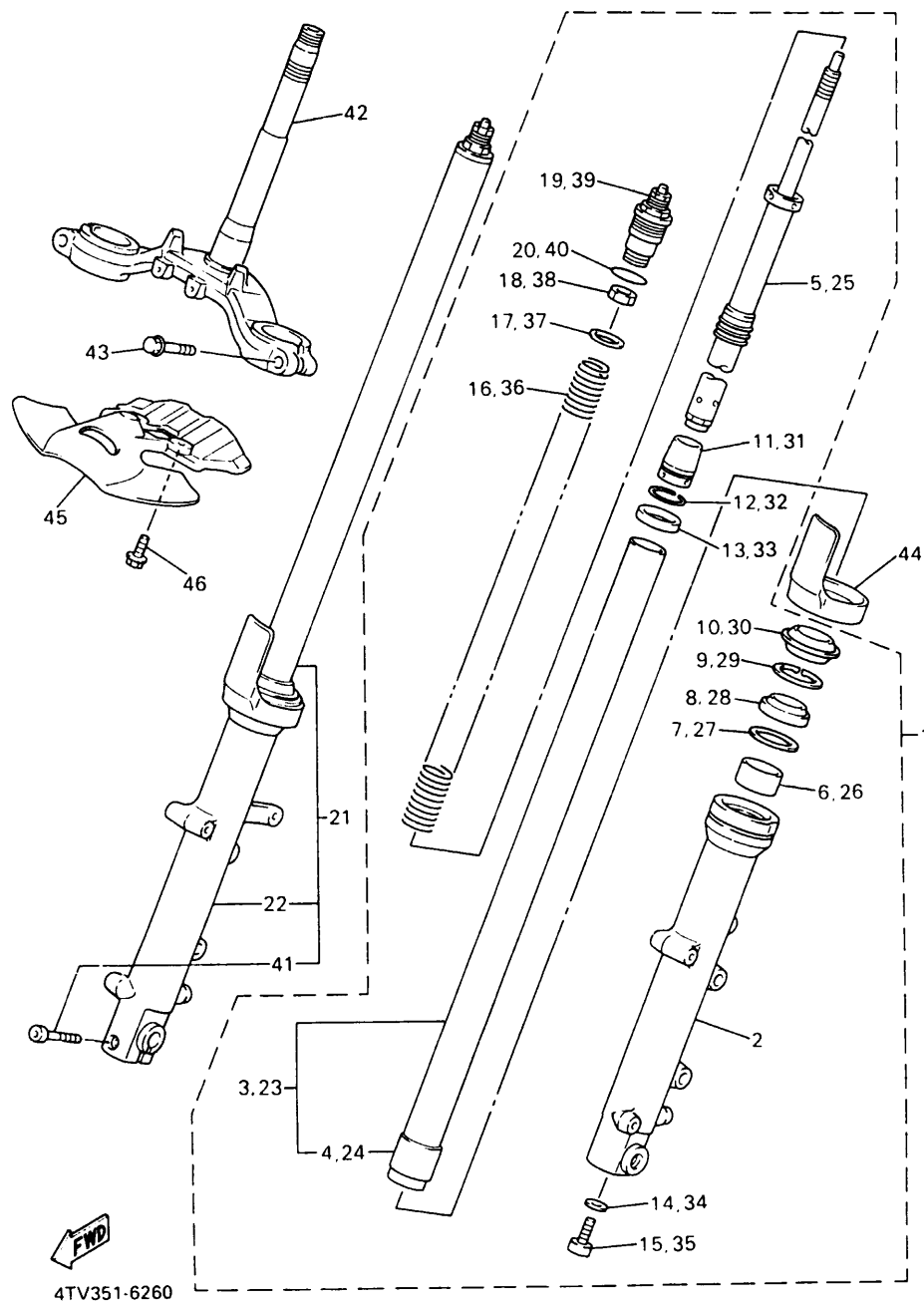


Ref. No.	Part Number	Description	Qty	Remarks
1	93332-00001-00	BEARING	1	
2	93332-00008-00	BEARING	1	
3	1W1-23416-00-00	COVER, BALL RACE 2	1	
4	90179-25033-00	NUT	2	
5	90202-26142-00	WASHER, PLATE	1	
6	26H-23418-01-00	WASHER, SPECIAL	1	
7	90176-22081-00	NUT, CROWN	1	
8	90201-220T0-00	WASHER, PLATE	1	
9	4NX-23435-00-00	CROWN, HANDLE	1	
10	91314-08030-00	BOLT	2	



4TV351-6250

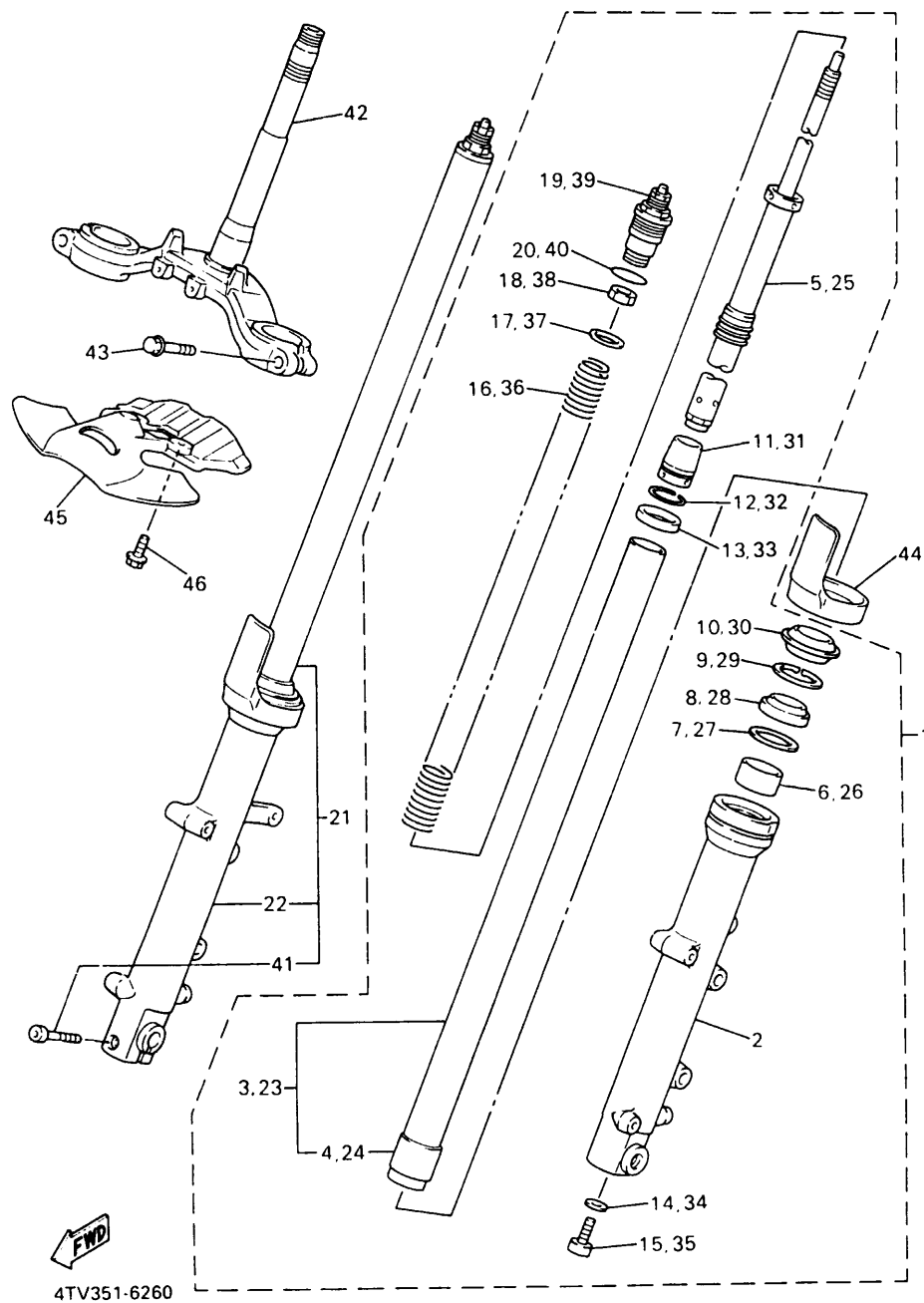
FRONT FORK



Ref. No.	Part Number	Description	Qty	Remarks
1	4TV-23102-00-00	FRONT FORK ASSY (L.H)	1	
2	4TV-23126-00-00	. TUBE, OUTER (LEFT)	1	
3	4TV-23110-00-00	. INNER TUBE COMP 1	1	
4	4FM-23171-40-00	. . METAL, SLIDE	1	
5	4TV-23170-00-00	. CYLINDER COMP., FRONT FORK	1	
6	4FM-23125-40-00	. METAL, SLIDE 1	1	
7	36Y-23146-10-00	. WASHER, OIL SEAL	1	
8	3SP-23145-L0-00	. OIL SEAL	1	
9	26H-23156-00-00	. CLIP, OIL SEAL	1	
10	3XV-23144-50-00	. SEAL, DUST	1	
11	4TV-23173-00-00	. SPINDLE, TAPER	1	
12	4TV-23153-00-00	. RING, SNAP	1	
13	4TV-23184-00-00	. CAP, AIR VALVE	1	
14	2K8-23158-L0-00	. .GASKET	1	
15	3LC-23181-00-00	. .BOLT, HEXAGON SOCKET HEAD	1	
16	4JH-23141-10-00	. SPRING, FRONT FORK	1	
17	3LC-23149-00-00	. WASHER, SPRING UPPER	1	
18	3LC-23357-00-00	. .NUT	1	
19	4JH-23111-10-00	. BOLT, CAP	1	
20	43F-23188-10-00	. O-RING	1	
21	4TV-23103-00-00	FRONT FORK ASSY (R.H)	1	
22	4TV-23136-00-00	. TUBE, OUTER (RIGHT)	1	
23	4TV-23110-00-00	. INNER TUBE COMP 1	1	
24	4FM-23171-40-00	. . METAL, SLIDE	1	
25	4TV-23170-00-00	. CYLINDER COMP., FRONT FORK	1	
26	4FM-23125-40-00	. METAL, SLIDE 1	1	
27	36Y-23146-10-00	. WASHER, OIL SEAL	1	

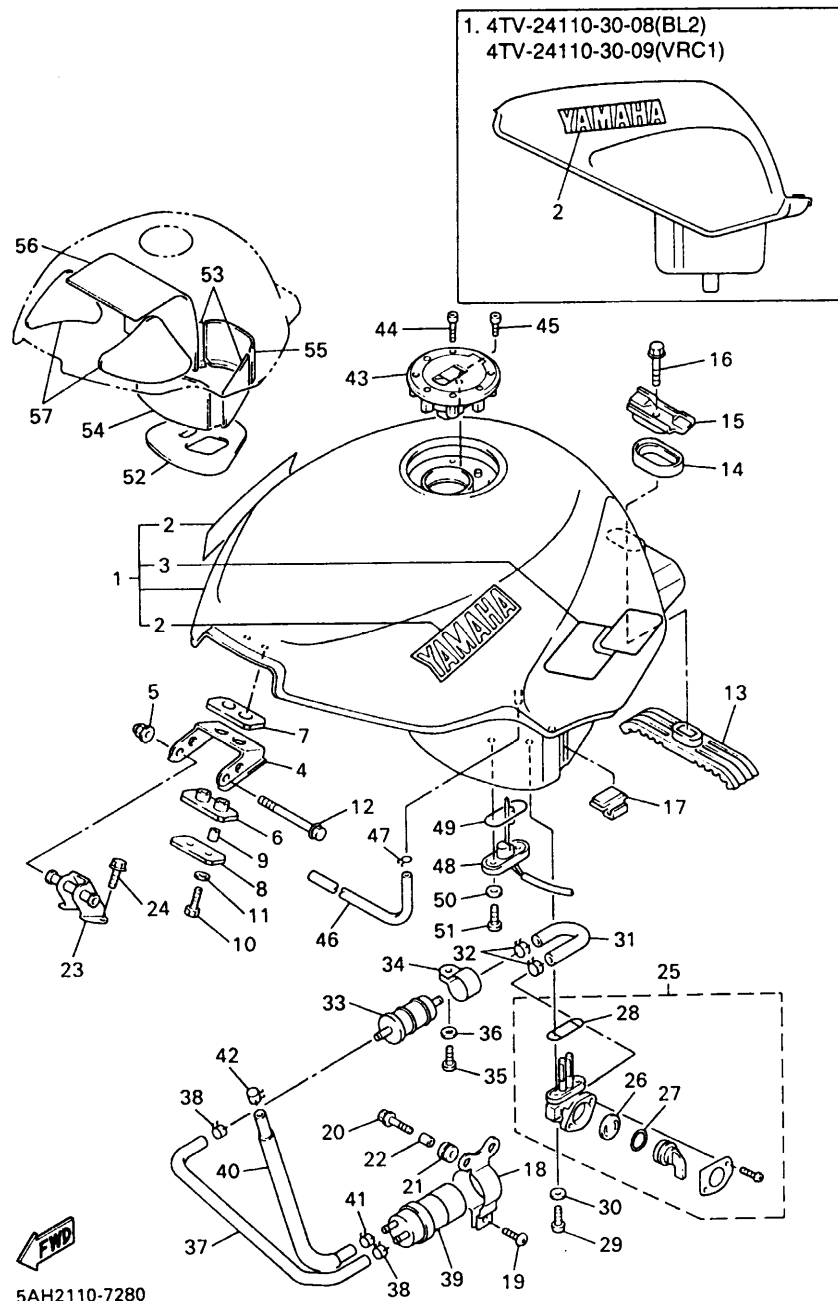
CONTINUED ON NEXT FRAME ►

FRONT FORK



Ref. No.	Part Number	Description	Qty	Remarks
28	3SP-23145-L0-00	. OIL SEAL	1	
29	26H-23156-00-00	. CLIP, OIL SEAL	1	
30	3XV-23144-50-00	. SEAL, DUST	1	
31	4TV-23173-00-00	. SPINDLE, TAPER	1	
32	4TV-23153-00-00	. RING, SNAP	1	
33	4TV-23184-00-00	. CAP, AIR VALVE	1	
34	2K8-23158-L0-00	. .GASKET	1	
35	3LC-23181-00-00	. .BOLT, HEXAGON SOCKET HEAD	1	
36	4JH-23141-10-00	. SPRING, FRONT FORK	1	
37	3LC-23149-00-00	. WASHER, SPRING UPPER ..	1	
38	3LC-23357-00-00	. .NUT	1	
39	4JH-23111-10-00	. BOLT, CAP	1	
40	43F-23188-10-00	. O-RING	1	
41	91314-08040-00	. BOLT	1	
42	4TV-23340-00-00	UNDER BRACKET COMP.	1	
43	4TV-23356-00-00	BOLT 2	2	
44	4PU-2331G-00-00	COVER	2	
45	4TV-23818-00-00	COVER, STEERING	1	
46	90119-06117-00	BOLT, WITH WASHER	2	

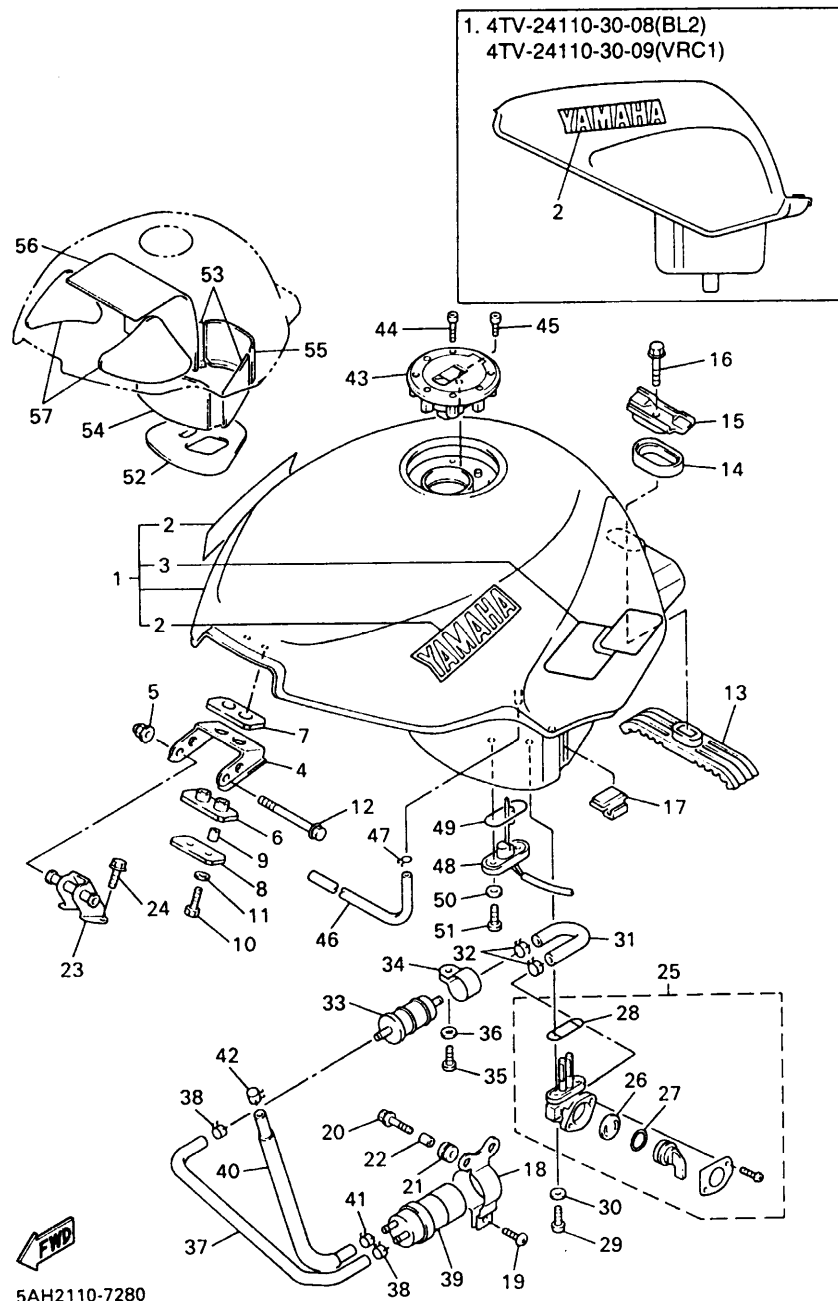
FUEL TANK



Ref. No.	Part Number	Description	Qty	Remarks
1	4TV-24110-30-04	FUEL TANK COMP.	1	UR DPBMC
	4TV-24110-30-08	FUEL TANK COMP.	1	UR BL2
	4TV-24110-30-09	FUEL TANK COMP.	1	UR VRC1
2	4TV-2153A-00-00	. EMBLEM, YAMAHA	2	UR FOR DPBMC
	4TV-2153A-20-00	. EMBLEM, YAMAHA	2	UR FOR VRC1
	4TV-2153A-30-00	. EMBLEM, YAMAHA	2	UR FOR BL2
3	5AH-24240-00-00	. GRAPHIC SET	1	FOR DPBMC
4	4FM-24191-00-00	BRACKET, FUEL TANK 1	1	
5	90176-06055-00	NUT, CROWN	1	
6	2GH-24181-00-00	DAMPER, LOCATING 1	1	
7	2GH-24183-00-00	DAMPER, LOCATING 3	1	
8	2GH-24186-00-00	WASHER, SPECIAL	1	
9	90387-06299-00	COLLAR	2	
10	97007-06025-00	BOLT	2	
11	92907-06600-00	WASHER, PLATE	2	
12	95817-06075-00	BOLT, FLANGE	1	
13	33M-24182-01-00	DAMPER, LOCATING 2	1	
14	3Y6-24183-00-00	DAMPER, LOCATING 3	1	
15	4FM-24187-00-00	WASHER, SPECIAL	1	
16	95807-08035-00	BOLT, FLANGE	1	
17	4TV-24183-10-00	DAMPER, LOCATING 3	2	
18	3CV-24491-10-00	BRACKET, FUEL PUMP	1	
19	98907-05010-00	SCREW, BIND	1	
20	90119-06096-00	BOLT, WITH WASHER	2	
21	90480-13163-00	GROMMET	2	
22	90387-060G7-00	COLLAR	2	
23	4TV-24115-00-00	STAY, FUEL TANK 1	1	
24	95027-06016-00	BOLT, FLANGE	2	
25	4TV-24500-00-00	FUEL COCK ASSY 1	1	

CONTINUED ON NEXT FRAME ►

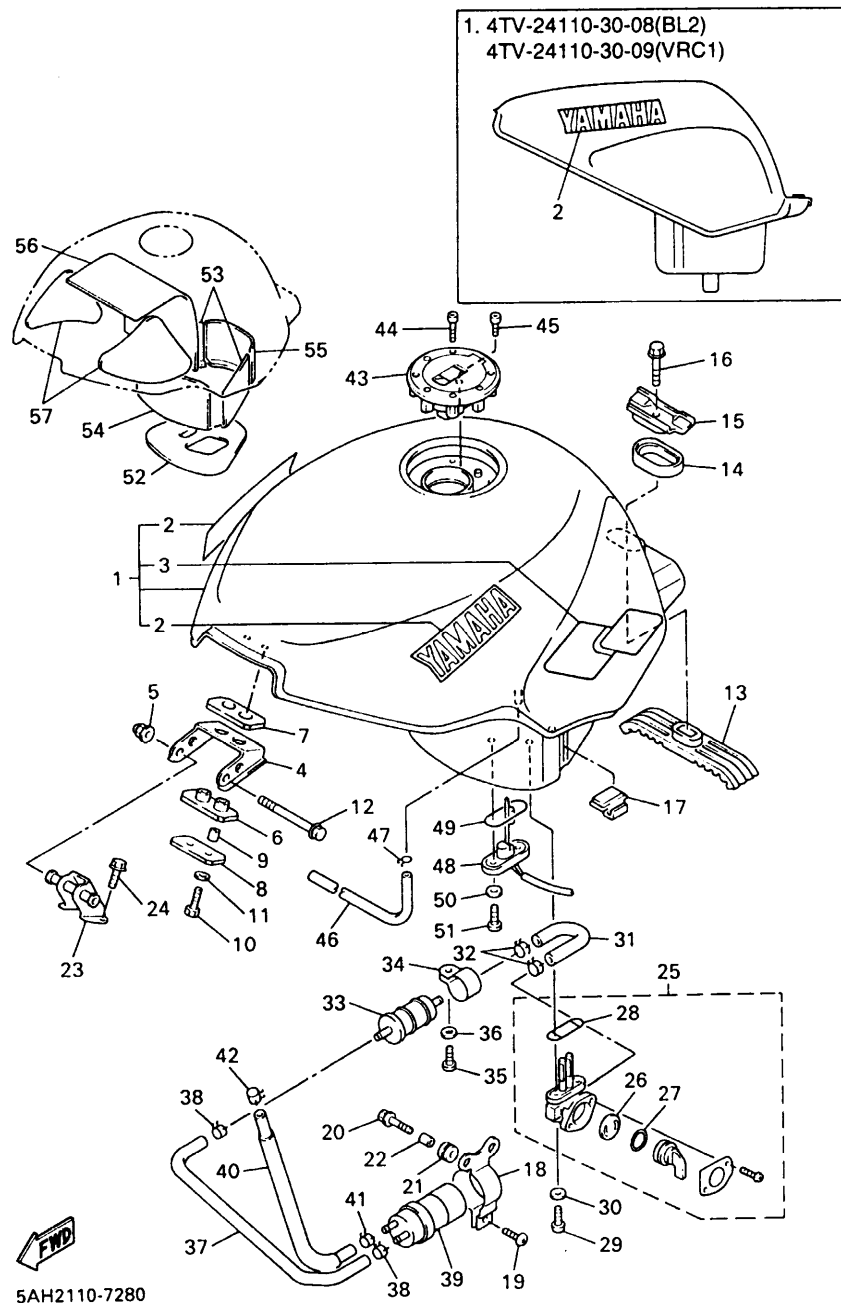
FUEL TANK



Ref. No.	Part Number	Description	Qty	Remarks
26	3XV-24523-00-00	..VALVE	1	
27	3XV-24534-00-00	..SEAL, COCK	1	
28	4X8-24512-00-00	..O-RING	1	
29	90149-06008-00	SCREW	2	
30	90202-05193-00	WASHER, PLATE	2	
31	4TV-24313-00-00	PIPE 3	1	
32	90467-14057-00	CLIP	2	
33	4TV-24560-00-00	FILTER ASSY	1	
34	1AE-24366-00-00	CLAMP, FUEL PIPE 1	1	
35	98507-06012-00	SCREW, PAN HEAD	1	
36	92907-06600-00	WASHER, PLATE	1	
37	4TV-24311-00-00	PIPE, FUEL 1	1	
38	90467-14057-00	CLIP	2	
39	4TV-13907-00-00	FUEL PUMP COMP.	1	
40	4TV-14294-00-00	HOSE	1	
41	90467-13123-00	CLIP	1	
42	90467-11032-00	CLIP	1	
43	4HN-24602-00-00	CAP ASSEMBLY	1	
44	90110-05112-00	BOLT, HEXAGON SOCKET HEAD	3	
45	91317-05010-00	BOLT	1	
46	90445-107H3-00	HOSE (L700)	1	
47	90467-09006-00	CLIP	1	
48	3GM-85752-01-00	SENDER UNIT ASSY, FUEL METER	1	
49	42X-85753-00-00	GASKET, SENDER UNIT	1	
50	90202-05193-00	WASHER, PLATE	2	
51	90149-06008-00	SCREW	2	
52	4TV-24145-00-00	DAMPER, SIDE COVER	1	

CONTINUED ON NEXT FRAME ►

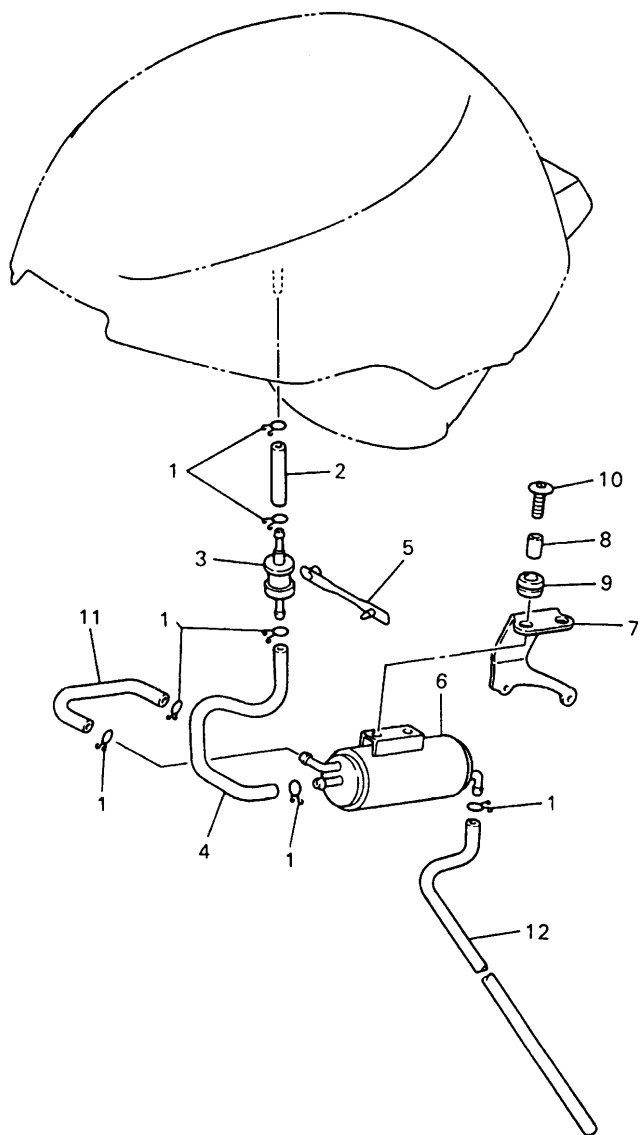
FUEL TANK



Ref. No.	Part Number	Description	Qty	Remarks
53	4TV-24145-10-00	DAMPER, SIDE COVER	2	
54	4TV-24145-20-00	DAMPER, SIDE COVER	1	
55	4TV-24145-30-00	DAMPER, SIDE COVER	1	
56	4TV-24145-40-00	DAMPER, SIDE COVER	1	
57	4TV-24145-50-00	DAMPER, SIDE COVER	2	

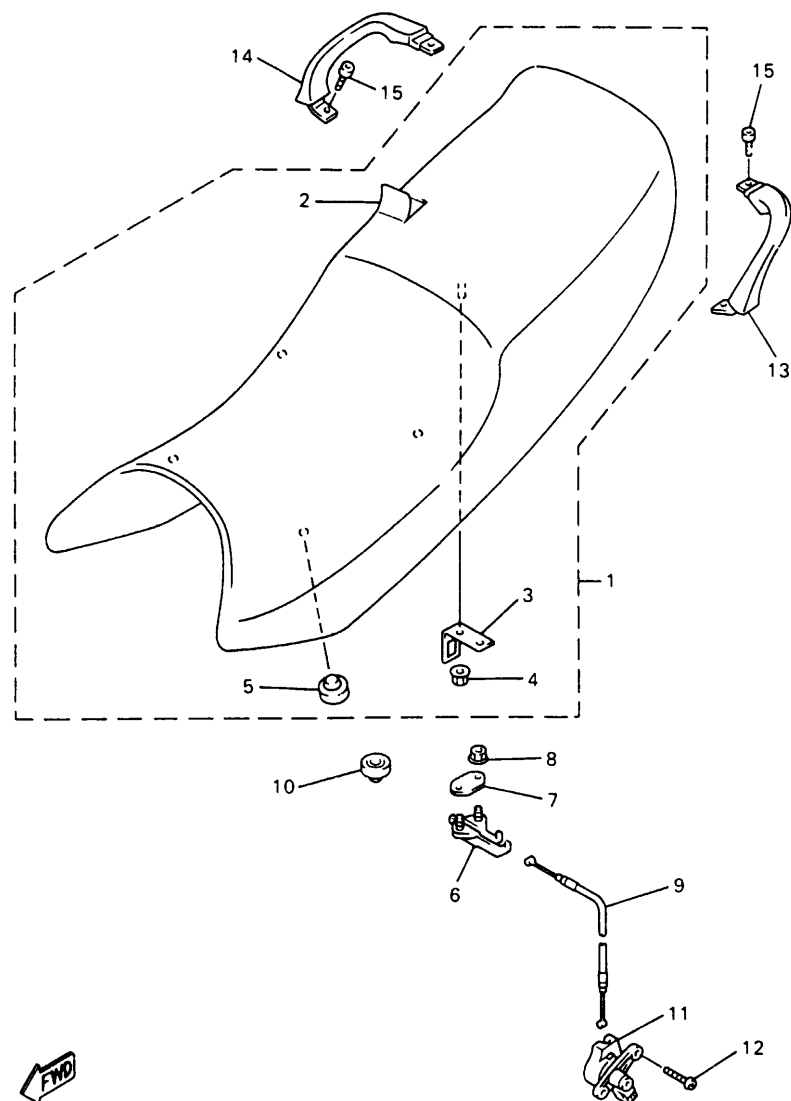
FUEL TANK 2

Ref. No.	Part Number	Description	Qty	Remarks
1	90467-10008-00	CLIP	7	
2	90445-11697-00	HOSE	1	
3	25H-24180-00-00	ROLL OVER VALVE ASSY ...	1	
4	3LK-24311-00-00	PIPE, FUEL 1	1	
5	90464-07121-00	CLAMP	1	
6	3LK-24170-00-00	CANISTER ASSY	1	
7	4NC-14413-01-00	STAY	1	
8	90387-060G7-00	COLLAR	2	
9	90480-13018-00	GROMMET	2	
10	90110-06200-00	BOLT, HEXAGON SOCKET HEAD	2	
11	4NC-24313-00-00	PIPE 3	1	
12	90445-10141-00	HOSE (L320)	1	



5AH2110-7290

SEAT

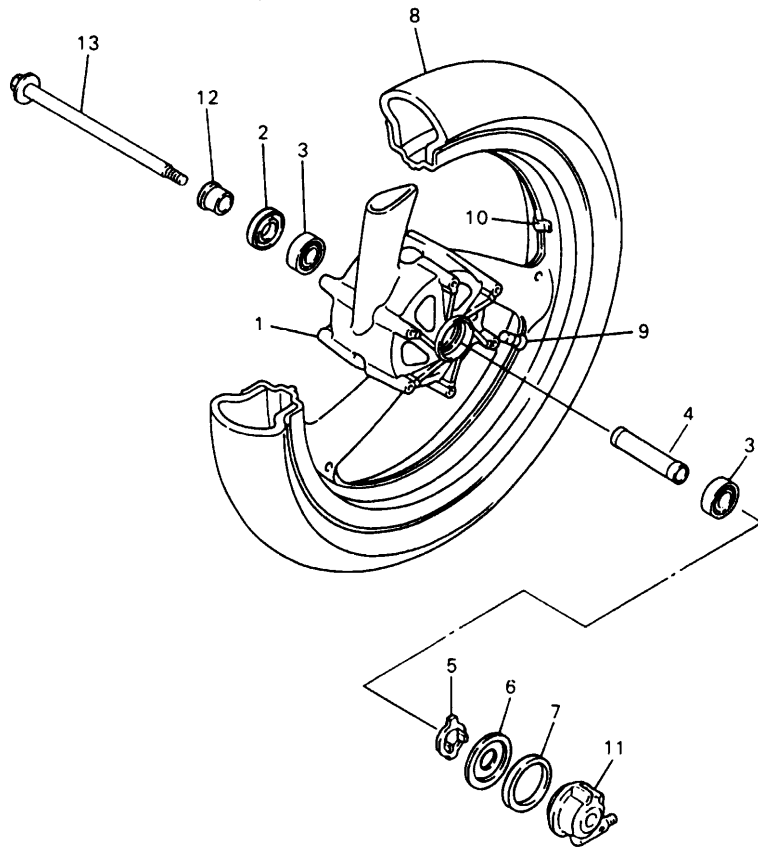


Ref. No.	Part Number	Description	Qty	Remarks
1	4TV-24730-00-00	DOUBLE SEAT ASSY	1	
2	4TV-24731-00-00	. COVER, SEAT	1	
3	4HM-24728-00-00	..BRACKET, SEAT	1	
4	90179-06635-00	..NUT	1	
5	22W-24741-00-00	..PAD, SEAT	4	
6	4BP-24780-00-00	SEAT LOCK ASSY	1	
7	4BP-24792-00-00	PLATE	1	
8	95707-06500-00	NUT, FLANGE	2	
9	4TV-2478E-00-00	CABLE, SEAT LOCK	1	
10	22W-24741-00-00	.PAD, SEAT	2	
11	3YX-21308-00-00	HELMET HANGER ASSY	1	
12	90149-06313-00	SCREW	2	
13	4BP-21644-01-00	STAY, REAR	1	
14	4BP-21645-01-00	STAY, REAR	1	
15	90109-060E9-00	BOLT	4	



4TV351-6280

FRONT WHEEL

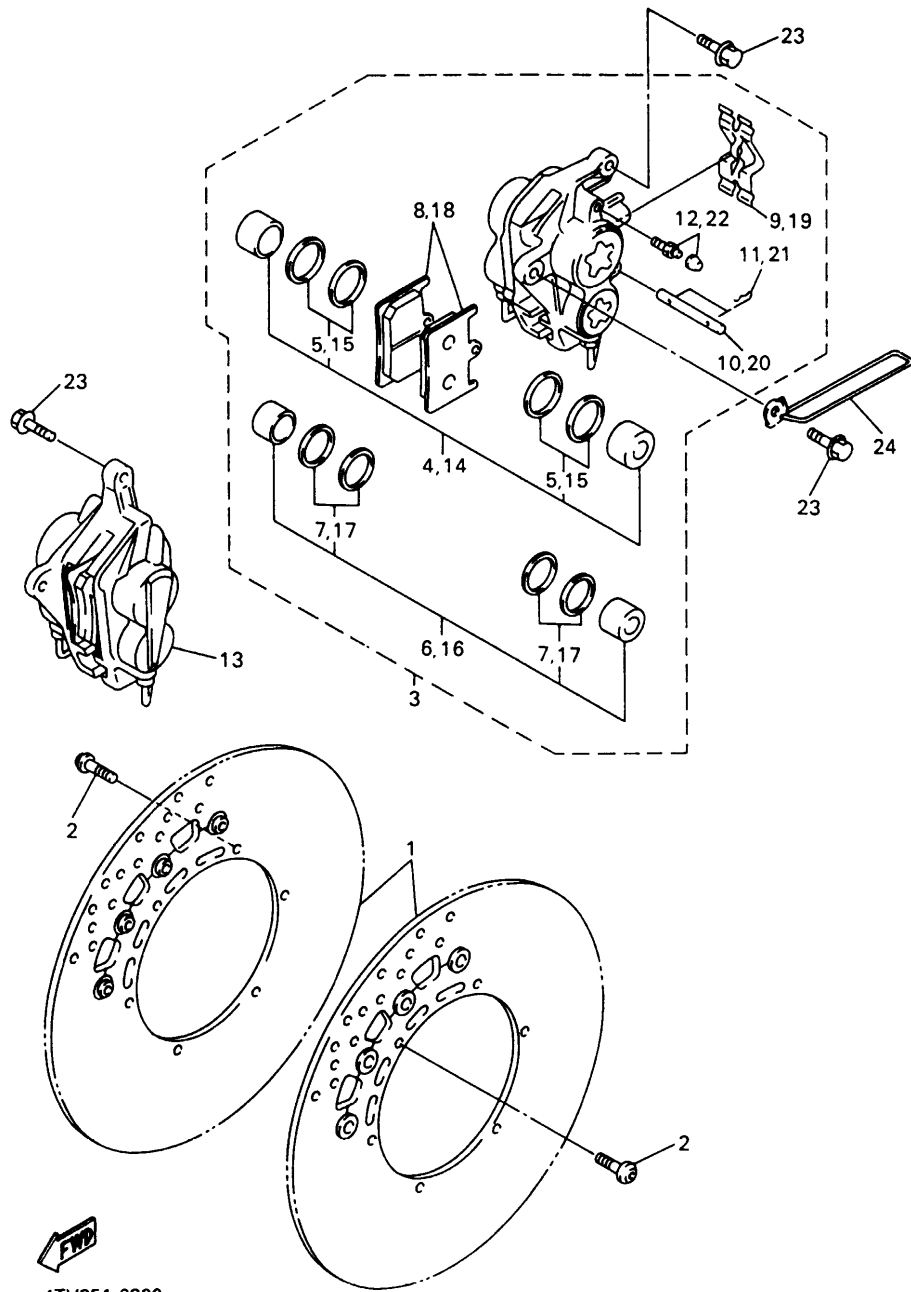


Ref. No.	Part Number	Description	Qty	Remarks
1	4TV-25168-00-35	CAST WHEEL, FRONT	1	UR SL FOR DPBMC
	4TV-25168-00-7B	CAST WHEEL, FRONT	1	VRC1
2	93102-23252-00	OIL SEAL	1	
3	93306-20314-00	BEARING (B6203)	2	
4	90560-17356-00	SPACER	1	
5	341-25149-00-00	CLUTCH, METER	1	
6	341-25846-00-00	RETAINER, CLUTCH	1	
7	93105-45017-00	OIL SEAL	1	
8	94112-1709N-00	TIRE (120/60ZR17 BT50F)	1	BRIDGESTONE
9	93900-00030-00	VALVE, RIM	1	
10	29L-25398-00-00	BALANCER, WHEEL (10G)	1	UR
	29L-25398-10-00	BALANCER, WHEEL (20G)	1	UR
	29L-25398-20-00	BALANCER, WHEEL (30G)	1	UR
11	4HM-25190-10-00	GEAR UNIT ASSY	1	
12	90387-177V5-00	COLLAR	1	
13	3GM-25181-03-00	AXLE, WHEEL	1	



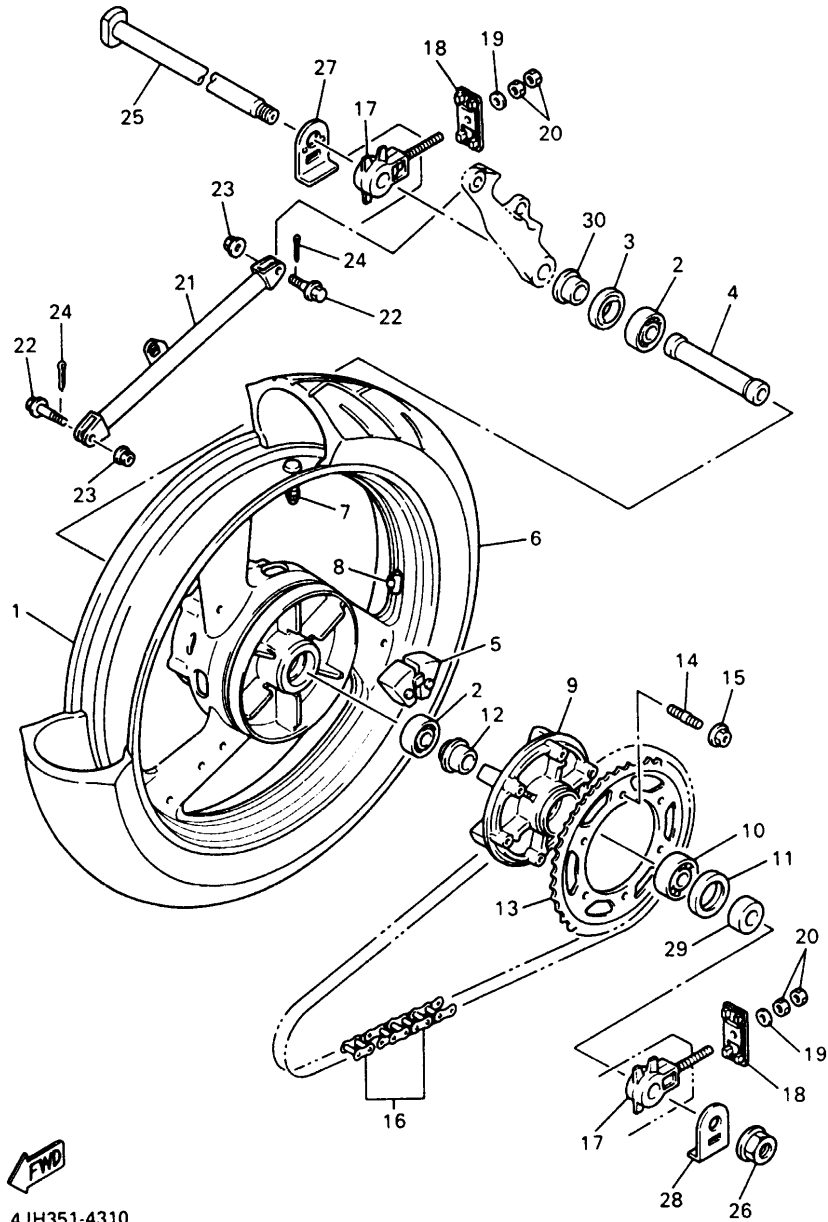
4TV351-6290

FRONT BRAKE CALIPER



Ref. No.	Part Number	Description	Qty	Remarks
1	4SV-2581T-00-00	DISC BRAKE ASSY	2	
2	90109-083G4-00	BOLT	12	
3	4SV-2580T-00-00	CALIPER ASSY (LEFT)	1	
4	4SV-W0057-00-00	.PISTON ASSY, CALIPER	1	
5	3MA-W0047-10-00	...CALIPER SEAL KIT	1	
6	4SV-W0057-10-00	.PISTON ASSY, CALIPER	1	
7	3GM-W0047-10-00	...CALIPER SEAL KIT	1	
8	4SV-W0045-00-00	.BRAKE PAD KIT	1	
9	4SV-25919-00-00	.SUPPORT, PAD	1	
10	4SV-25924-00-00	.PIN, PAD	1	
11	3GM-25925-00-00	.CLIP	2	
12	1J3-W0048-00-00	.BLEED SCREW KIT	1	
13	4SV-2580U-00-00	CALIPER ASSY (RIGHT)	1	
14	4SV-W0057-00-00	.PISTON ASSY, CALIPER	1	
15	3MA-W0047-10-00	...CALIPER SEAL KIT	1	
16	4SV-W0057-10-00	.PISTON ASSY, CALIPER	1	
17	3GM-W0047-10-00	...CALIPER SEAL KIT	1	
18	4SV-W0045-00-00	.BRAKE PAD KIT	1	
19	4SV-25919-00-00	.SUPPORT, PAD	1	
20	4SV-25924-00-00	.PIN, PAD	1	
21	3GM-25925-00-00	.CLIP	2	
22	1J3-W0048-00-00	.BLEED SCREW KIT	1	
23	90105-10638-00	BOLT, FLANGE	4	
24	4TV-21596-00-00	HOLDER	1	

REAR WHEEL

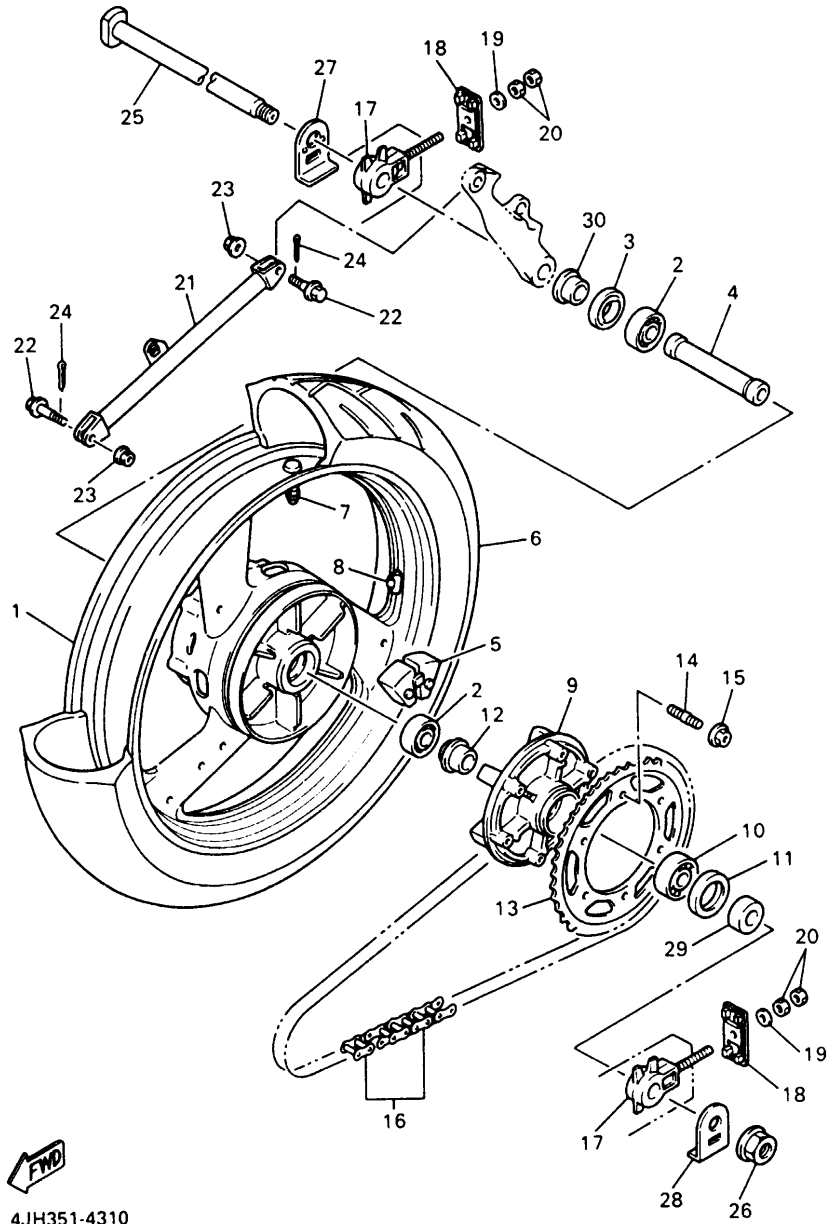


4JH351-4310

Ref. No.	Part Number	Description	Qty	Remarks
1	4JH-25338-00-7B	CAST WHEEL, REAR	1	VRC1
	4JH-25338-00-35	CAST WHEEL, REAR	1	UR SL FOR DPBMC
2	93306-20417-00	BEARING (B62042RS)	2	
3	93102-28022-00	OIL SEAL	1	
4	90387-2004F-00	COLLAR	1	
5	4FM-25364-00-00	DAMPER	6	
6	94116-1709P-00	TIRE (160/60ZR17 BT50R)	1	BRIDGESTONE
7	93900-00030-00	VALVE, RIM	1	
8	29L-25398-00-00	BALANCER, WHEEL (10G)	1	UR
	29L-25398-10-00	BALANCER, WHEEL (20G)	1	UR
	29L-25398-20-00	BALANCER, WHEEL (30G)	1	UR
9	4FM-25366-00-00	CLUTCH, HUB	1	
10	93306-20644-00	BEARING	1	
11	93102-40211-00	OIL SEAL	1	
12	90387-2004E-00	COLLAR	1	
13	4JH-25447-00-00	SPROCKET, DRIVEN (47T)	1	
14	90116-10575-00	BOLT, STUD	6	
15	95607-10200-00	NUT, SELF-LOCKING	6	
16	94581-59108-00	CHAIN (DID50VA7-108LE)	1	
17	3XW-25388-00-00	PULLER, CHAIN 1	2	
18	4JH-22174-00-00	END 1	2	
19	92907-08600-00	.WASHER, PLATE	2	
20	95307-08600-00	NUT	4	
21	4JH-25371-01-00	BAR, TENSION	1	
22	90105-08321-00	BOLT, FLANGE	2	
23	95707-08500-00	NUT, FLANGE	2	
24	91401-20015-00	PIN, COTTER	2	
25	3GM-25381-A0-00	AXLE, WHEEL	1	
26	95607-18200-00	BOLT, STUD	1	

CONTINUED ON NEXT FRAME ►

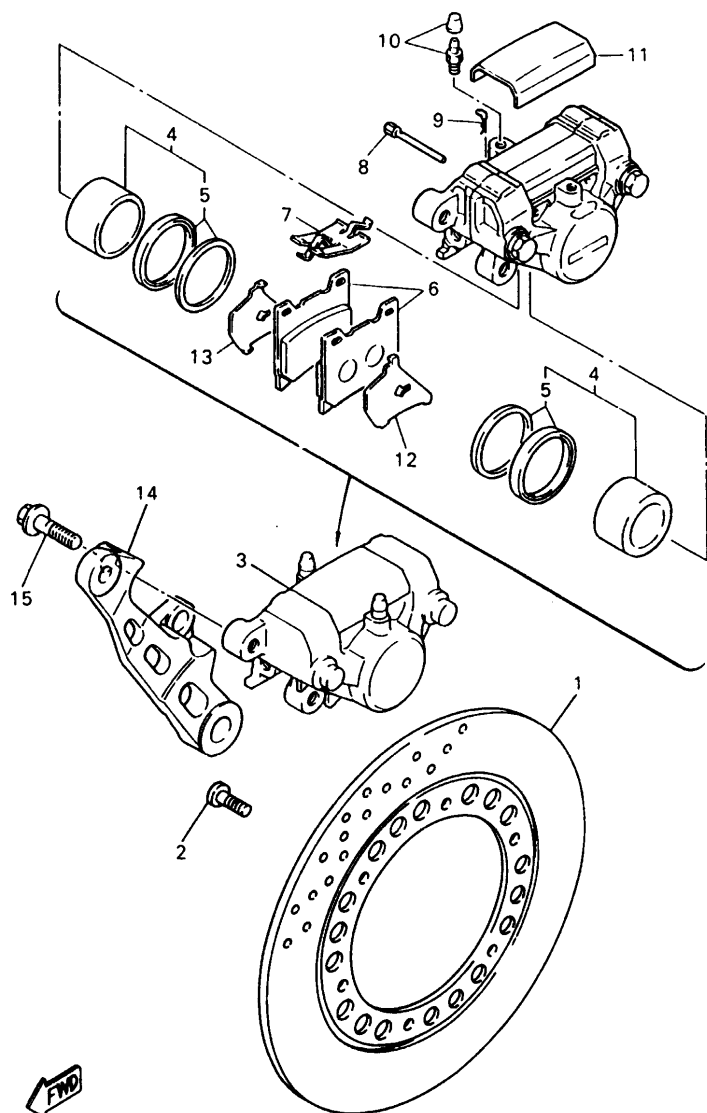
REAR WHEEL



4JH351-4310

Ref. No.	Part Number	Description	Qty	Remarks
27	4JH-25384-03-00	WASHER, WHEEL	1	
28	4JH-25384-12-00	WASHER, WHEEL	1	
29	90387-2004C-00	COLLAR	1	
30	90387-2004D-00	COLLAR	1	

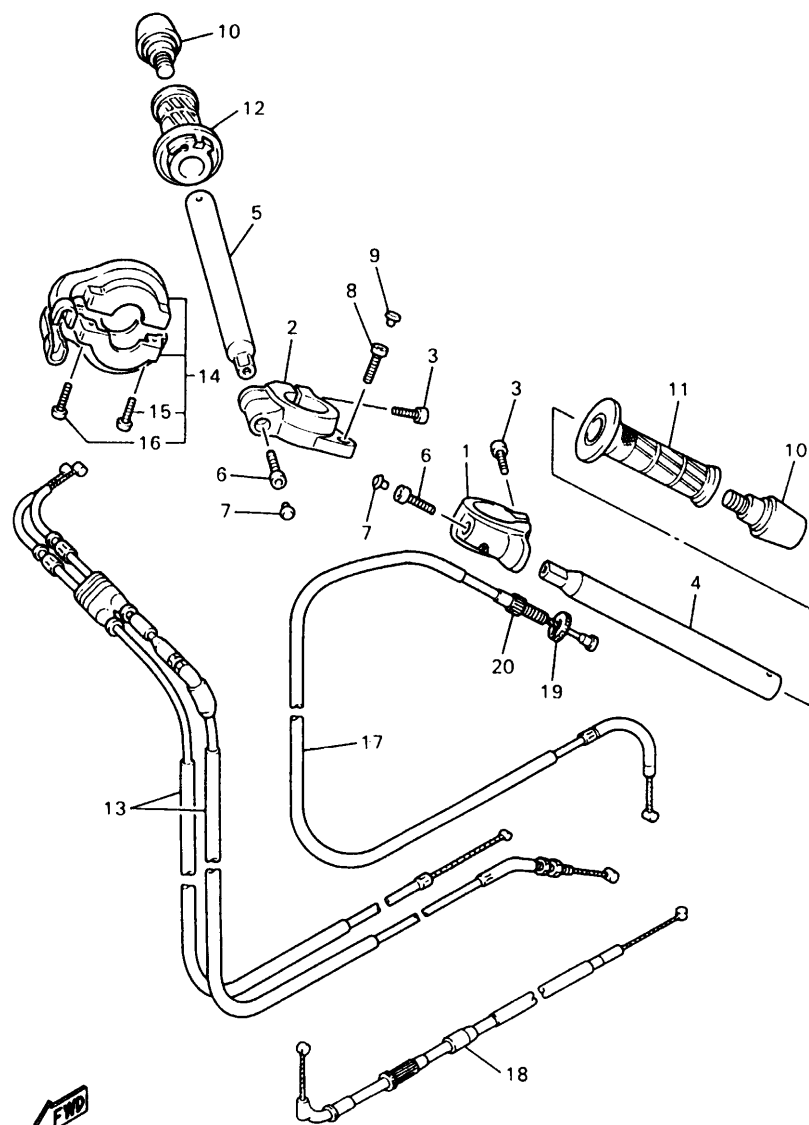
REAR BRAKE CALIPER



4JH351-4320

Ref. No.	Part Number	Description	Qty	Remarks
1	4JH-2582W-00-00	DISC, REAR BRAKE 2	1	
2	90109-083G4-00	BOLT	6	
3	3GM-2580W-A0-00	CALIPER ASSY, REAR 2	1	
4	31A-W0057-00-00	. PISTON ASSY, CALIPER	1	
5	31A-W0047-00-00	. . CALIPER SEAL KIT	1	
6	1FK-W0046-02-00	. BRAKE PAD KIT 2	1	
7	29L-25919-A0-00	. SUPPORT, PAD	1	
8	3HE-25924-00-00	. .PIN, PAD	2	
9	3HE-25925-00-00	. CLIP	2	
10	1J3-W0048-00-00	. .BLEED SCREW KIT	2	
11	51J-25836-00-00	. COVER, DUST	1	
12	1FK-25827-00-00	. SHIM, CALIPER	1	
13	1FK-25828-00-00	. SHIM, CALIPER	1	
14	4JH-25819-00-00	BRACKET, CALIPER	1	
15	90105-10638-00	BOLT, FLANGE	2	

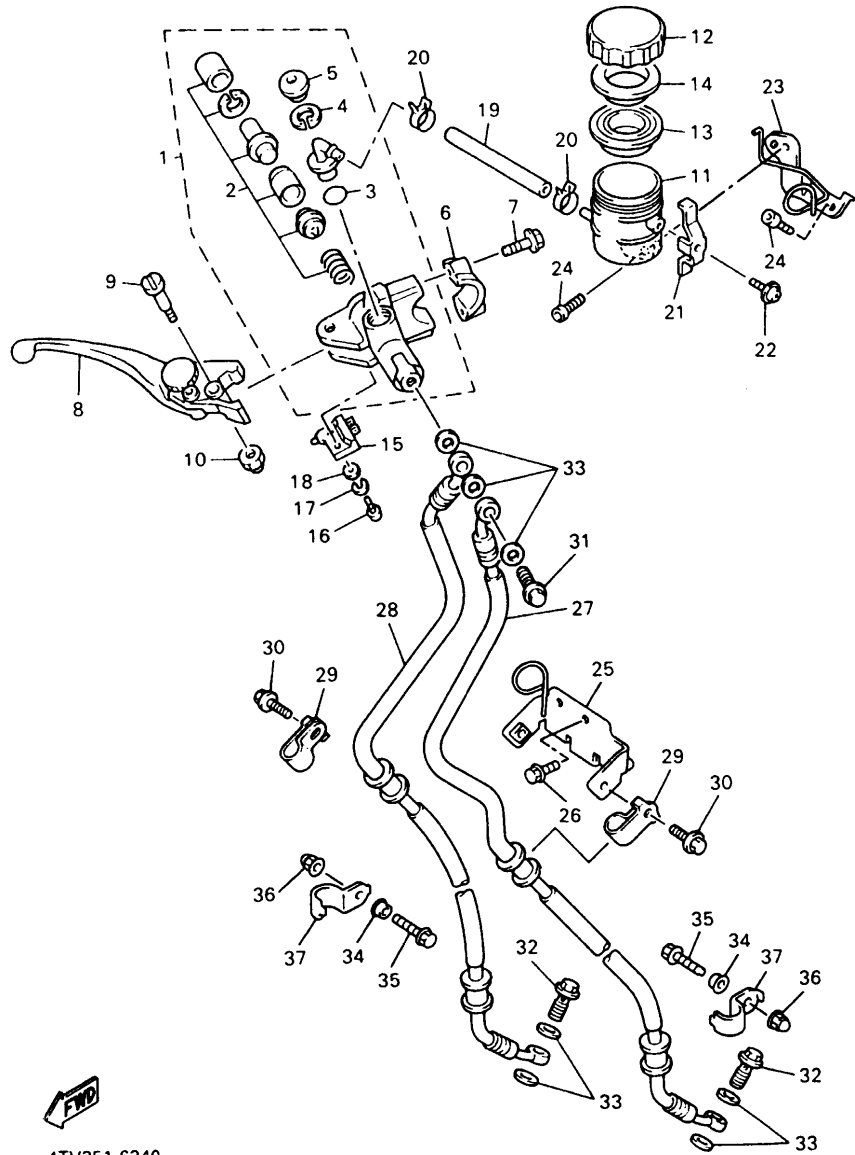
STEERING HANDLE CABLE



4TV351-6330

Ref. No.	Part Number	Description	Qty	Remarks
1	4JH-26121-00-00	BOSS, HANDLEBAR (L.H)	1	
2	4JH-26122-00-00	BOSS, HANDLEBAR (R.H)	1	
3	91314-06020-00	BOLT	4	
4	4SV-26111-00-00	HANDLEBAR	1	
5	4SV-26112-00-00	BAR, HANDLE	1	
6	91317-08025-00	BOLT	2	
7	341-23469-00-00	CAP, BOLT	2	
8	91317-06025-00	BOLT	2	
9	10L-23469-00-00	CAP, BOLT	2	
10	36Y-26246-00-00	END, GRIP	2	
11	4FM-26241-00-00	GRIP (LEFT)	1	
12	4JD-26240-00-00	GRIP ASSY	1	
13	4TV-26302-00-00	THROTTLE CABLE ASSY	1	
14	3LN-26270-01-00	CABLE CONNECTOR CAP ASSY	1	
15	98507-05020-00	. SCREW, PAN HEAD	1	
16	98507-05025-00	. SCREW, PAN HEAD	1	
17	4JH-26335-10-00	CABLE, CLUTCH	1	
18	4TV-26331-00-00	CABLE, STARTER 1	1	
19	90179-08148-00	.NUT	1	
20	90123-08046-00	.BOLT	1	

FRONT MASTER CLINDER

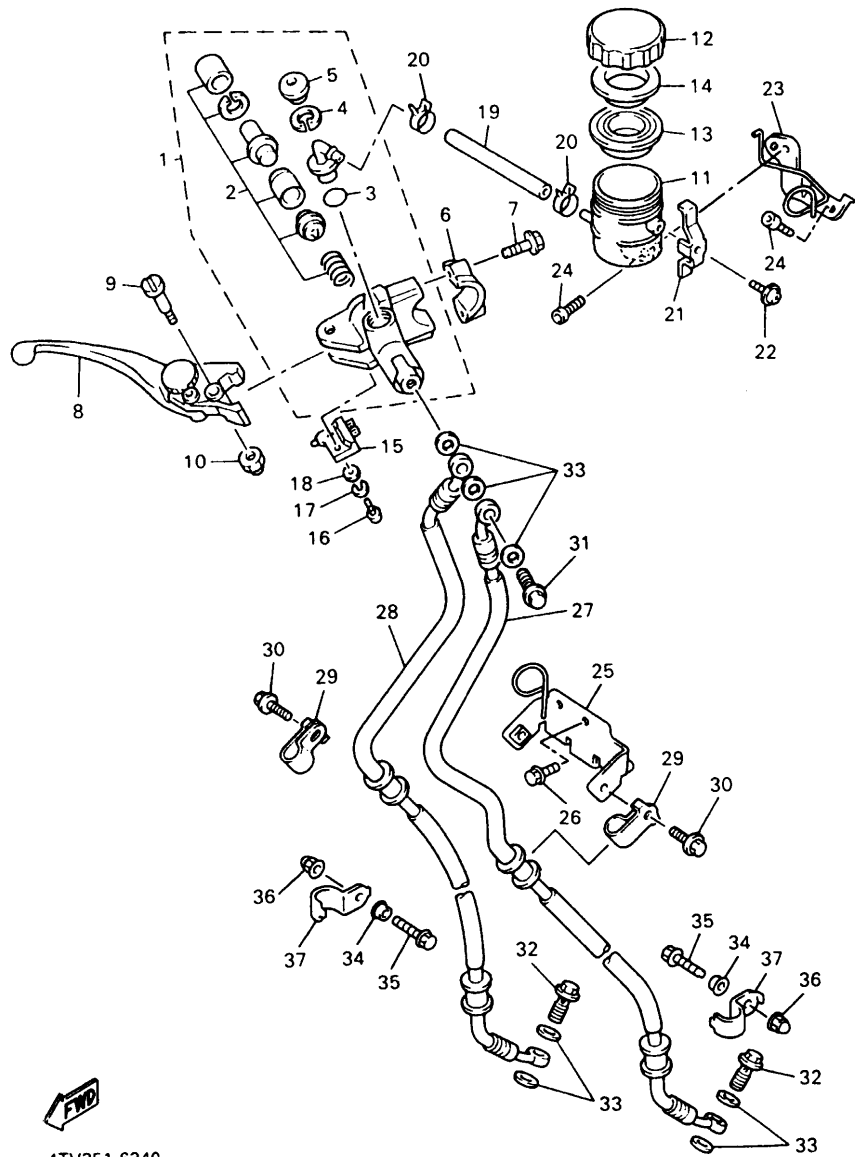


4TV351-6340

Ref. No.	Part Number	Description	Qty	Remarks
1	4SV-W2587-00-00	MASTER CYLINDER SUB ASSY	1	
2	4SV-W0041-00-00	. CYLINDER KIT, MASTER	1	
3	93210-15620-00	.O-RING	1	
4	2VN-25866-00-00	.CIRCLIP	1	
5	3FV-2589A-00-00	.COVER, DUST	1	
6	56A-25867-00-00	BRACKET, MASTER CYLINDER	1	
7	95026-06025-00	BOLT, FLANGE	2	
8	4SV-83922-00-00	LEVER 2	1	
9	3FV-2589F-00-00	BOLT, LEVER	1	
10	95606-06100-00	.NUT, U	1	
11	3FV-25894-00-00	TANK, RESERVOIR	1	
12	3GM-25852-50-00	CAP, RESERVOIR	1	
13	3FV-25854-00-00	DIAPHRAGM, RESERVOIR	1	
14	2J2-25855-50-00	BUSH, DIAPHRAGM	1	
15	3FV-83980-00-00	FRONT STOP SWITCH ASSY	1	
16	98502-04012-00	SCREW, PAN HEAD	1	
17	92902-04100-00	WASHER, SPRING	1	
18	92902-04600-00	WASHER, PLATE	1	
19	3GM-2582F-00-00	HOSE	1	
20	3PA-24356-00-00	CLIP, PIPE 1	2	
21	3FV-2589G-00-00	HOLDER	1	
22	3GM-2589H-00-00	.SCREW	1	
23	4TV-26292-00-00	STAY	1	
24	91317-06012-00	BOLT	2	
25	4TV-2134K-00-00	BRACKET, HORN	1	
26	95807-06012-00	BOLT, FLANGE	2	
27	4TV-25872-00-00	HOSE, BRAKE 1	1	
28	4TV-25873-00-00	HOSE, BRAKE 2	1	
29	90461-10132-00	CLAMP	2	

CONTINUED ON NEXT FRAME ►

FRONT MASTER CLINDER

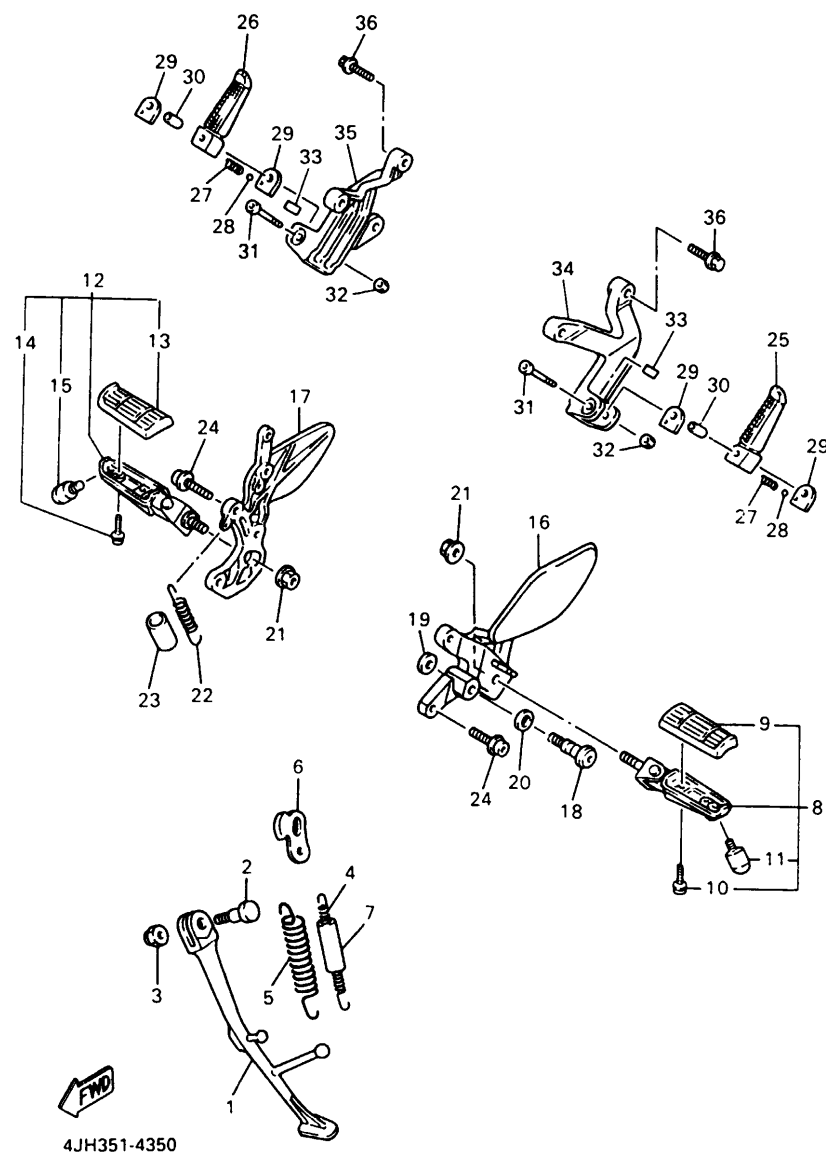


Ref. No.	Part Number	Description	Qty	Remarks
30	95807-06012-00	BOLT, FLANGE	2	
31	90401-10160-00	BOLT, UNION	1	
32	90401-10159-00	BOLT, UNION	2	
33	90201-10118-00	WASHER, PLATE	7	
34	90387-07717-00	COLLAR	2	
35	90119-06097-00	BOLT, WITH WASHER	2	
36	90176-06065-00	NUT, CROWN	2	
37	4SV-25876-00-00	HOLDER, BRAKE HOSE 2	2	



4TV351-6340

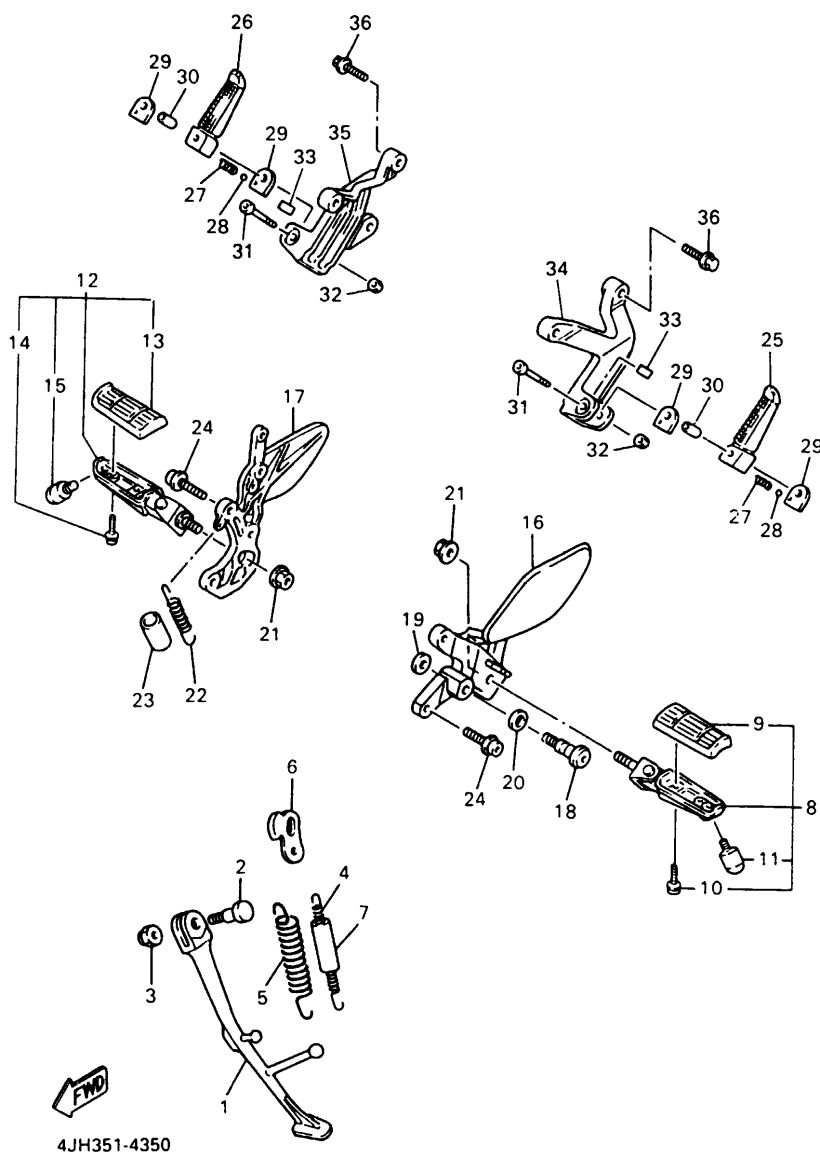
STAND FOOTREST



Ref. No.	Part Number	Description	Qty	Remarks
1	4FM-27311-00-00	STAND, SIDE	1	
2	90109-104E6-00	BOLT	1	
3	90185-10037-00	NUT, SELF-LOCKING	1	
4	90506-18224-00	SPRING, TENSION	1	
5	90506-26225-00	SPRING, TENSION	1	
6	4FM-27315-00-00	LINK, SIDE STAND	1	
7	1TX-27351-00-00	GUIDE, SIDE STAND	1	
8	4JH-27410-01-00	FRONT FOOTREST ASSY (LEFT)	1	
9	3YX-27413-00-00	. COVER, FOOTREST	1	
10	90157-05079-00	. SCREW, PAN HEAD	2	
11	3HE-27435-00-00	. BOLT	1	
12	4JH-27420-01-00	FRONT FOOTREST ASSY (RIGHT)	1	
13	3YX-27413-00-00	. COVER, FOOTREST	1	
14	90157-05079-00	. SCREW, PAN HEAD	2	
15	3HE-27435-00-00	. BOLT	1	
16	4FM-27442-02-00	BRACKET 2	1	
17	4FM-27443-02-00	BRACKET 3	1	
18	2YK-27434-01-00	BOLT	1	
19	90201-08326-00	.WASHER, PLATE	1	
20	90206-12074-00	WASHER, WAVE	1	
21	90179-10247-00	NUT	2	
22	90506-20377-00	SPRING, TENSION	1	
23	90446-17346-00	HOSE	1	
24	91314-08025-00	BOLT	4	
25	3XV-27431-01-00	FOOTREST, REAR 1	1	
26	3XV-27441-11-00	FOOTREST, REAR 2	1	
27	90501-12743-00	.SPRING, COMPRESSION	2	

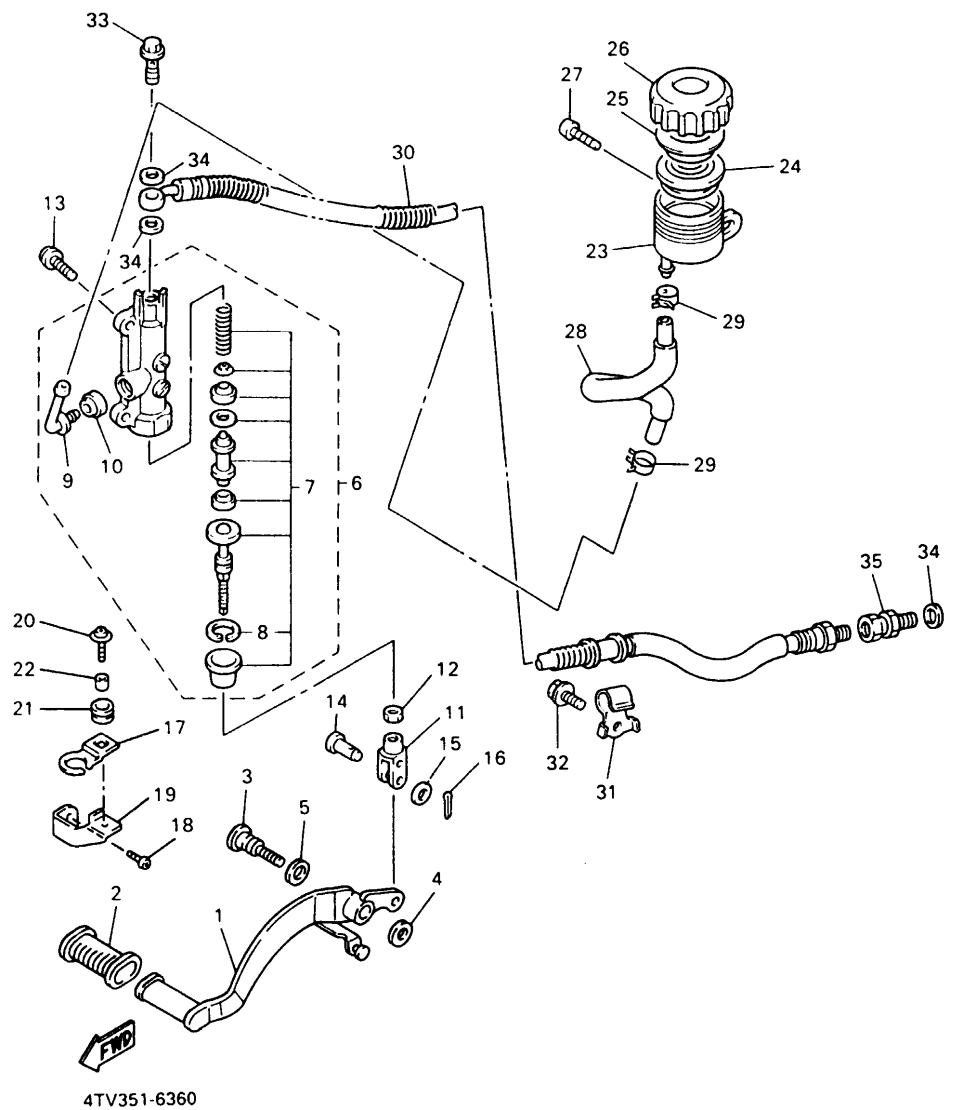
CONTINUED ON NEXT FRAME ►

STAND FOOTREST



Ref. No.	Part Number	Description	Qty	Remarks
28	93501-04011-00	.BALL	2	
29	1HX-27437-00-00	.WASHER, SPECIAL	4	
30	90387-064H8-00	.COLLAR	2	
31	95024-06045-00	BOLT, FLANGE	2	
32	95604-06200-00	.NUT, U FLANGE	2	
33	1HX-27415-00-00	PLATE, FOOTREST	2	
34	4JH-2741L-03-00	BRACKET 4	1	
35	4JH-2742L-03-00	BRACKET 5	1	
36	95814-08035-00	BOLT, FLANGE	4	

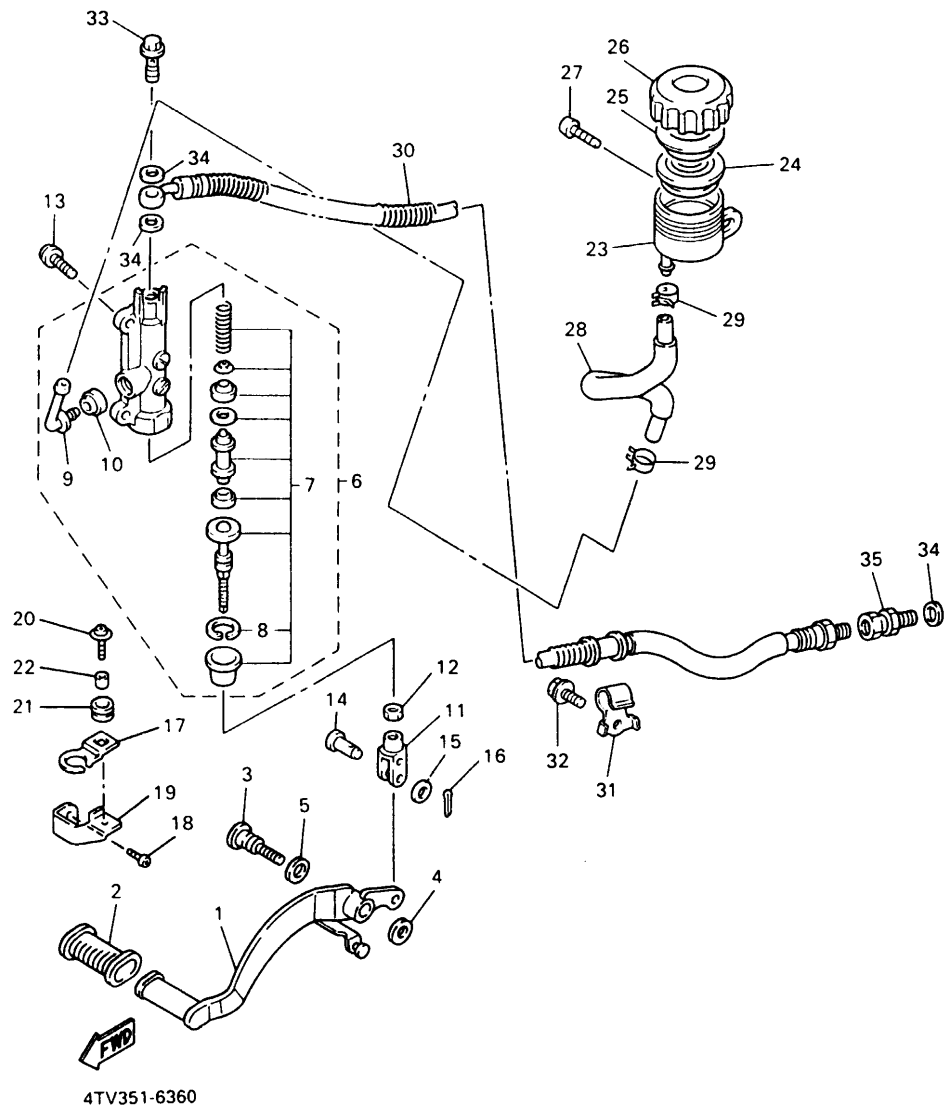
REAR MASTER CYLINDER



Ref. No.	Part Number	Description	Qty	Remarks
1	4JH-27211-10-00	PEDAL, BRAKE	1	
2	22N-18113-00-00	COVER, SHIFT PEDAL	1	
3	4SV-27261-00-00	SHAFT	1	
4	90201-104R2-00	WASHER, PLATE	1	
5	90206-14086-00	WASHER, WAVE	1	
6	4BH-2583V-00-00	RR. MASTER CYLINDER ASSY.	1	
7	4BH-W0042-50-00	. CYLINDER KIT, MASTER	1	
8	3LN-2585G-00-00	...CIRCLIP	1	
9	4BP-2582A-00-00	..JOINT	1	
10	4BP-2585F-00-00	..BUSH	1	
11	47X-27222-00-00	JOINT	1	
12	95307-08700-00	NUT	1	
13	92014-08020-00	BOLT, BUTTON HEAD	2	
14	90240-08124-00	PIN, CLEVIS	1	
15	90201-08083-00	WASHER, PLATE	1	
16	91401-20012-00	PIN, COTTER	1	
17	4SV-2144G-00-00	STAY, STOP SWITCH	1	
18	98507-06010-00	.SCREW, PAN HEAD	1	
19	4SV-21441-00-00	BRACKET, STOP SWITCH	1	
20	90159-06150-00	SCREW, WITH WASHER	1	
21	90480-12607-00	GROMMET	1	
22	90387-06023-00	COLLAR	1	
23	31A-25894-01-00	TANK, RESERVOIR	1	
24	360-25854-00-00	DIAPHRAGM, RESERVOIR	1	
25	2GU-25855-00-00	BUSH, DIAPHRAGM	1	
26	2KF-25852-50-00	CAP, RESERVOIR	1	
27	90159-06085-00	SCREW, WITH WASHER	1	
28	4JH-25895-00-00	HOSE, RESERVOIR	1	
29	90467-14057-00	CLIP	2	

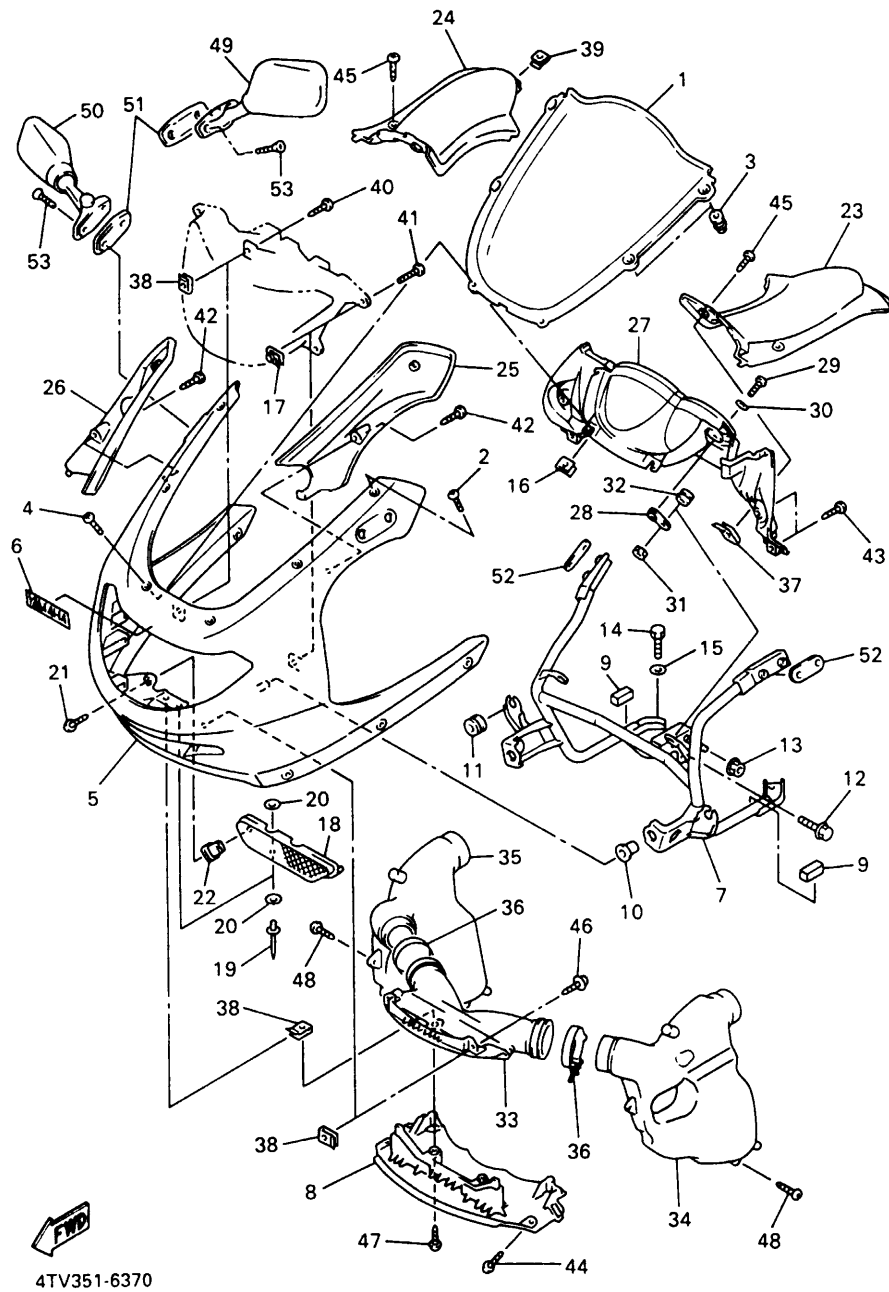
CONTINUED ON NEXT FRAME ➤

REAR MASTER CYLINDER



Ref. No.	Part Number	Description	Qty	Remarks
30	4JH-25874-01-00	HOSE, BRAKE	1	
31	90461-08031-00	CLAMP	1	
32	95807-06012-00	BOLT, FLANGE	1	
33	90401-10159-00	BOLT, UNION	1	
34	90201-10118-00	WASHER, PLATE	3	
35	3LC-25885-00-00	JOINT	1	

COWLING 1

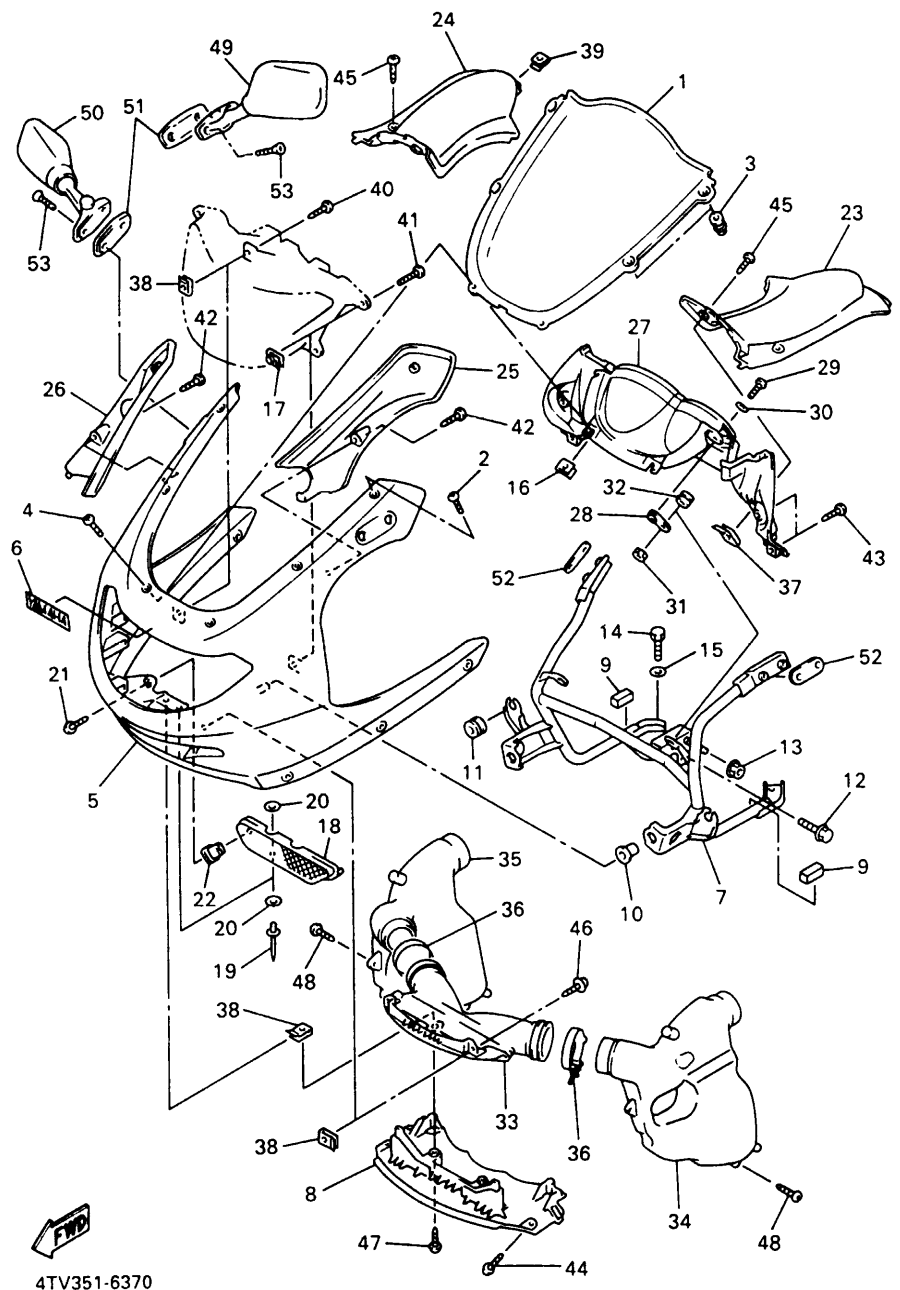


4TV351-6370

Ref. No.	Part Number	Description	Qty	Remarks
1	4TV-28381-00-00	WINDSHIELD	1	
2	90150-05023-00	SCREW, ROUND HEAD	4	
3	90179-05523-00	NUT	4	
4	90150-05024-00	SCREW, ROUND HEAD	2	
5	4TV-2835G-00-4B	BODY, FRONT UPPER 1	1	UR BL2
	4TV-2835G-00-P0	BODY, FRONT UPPER 1	1	UR VRC1
	4TV-2835G-00-P3	BODY, FRONT UPPER 1	1	UR DPBMC
6	99237-00100-00	EMBLEM, YAMAHA	1	UR FOR BL2
	99231-00100-00	EMBLEM, YAMAHA	1	UR FOR DPBMC
	99236-00100-00	EMBLEM, YAMAHA	1	UR FOR VRC1
7	4TV-28356-00-00	STAY 1	1	
8	4TV-2835H-00-4B	BODY, FRONT UPPER 2	1	UR BL2
	4TV-2835H-00-P0	BODY, FRONT UPPER 2	1	UR VRC1
	4TV-2835H-00-P3	BODY, FRONT UPPER 2	1	UR DPBMC
9	22F-21746-01-00	DAMPER	2	
10	90480-18277-00	GROMMET	2	
11	90480-18330-00	GROMMET	2	
12	90109-08789-00	BOLT	1	
13	95607-08200-00	NUT, SELF-LOCKING	1	
14	97027-08016-00	BOLT	2	
15	92907-08600-00	.WASHER, PLATE	2	
16	90183-05074-00	.NUT, SPRING	2	
17	90183-05074-00	.NUT, SPRING	4	
18	4TV-2172A-00-00	PANEL 1	1	
19	90267-40105-00	RIVET, BLIND	2	
20	90201-04018-00	WASHER, PLATE	4	
21	97707-40012-00	SCREW, TAPPING	2	
22	90480-01605-00	GROMMET	2	
23	4TV-2836K-00-00	PANEL, INNER 1	1	

CONTINUED ON NEXT FRAME ►

COWLING 1

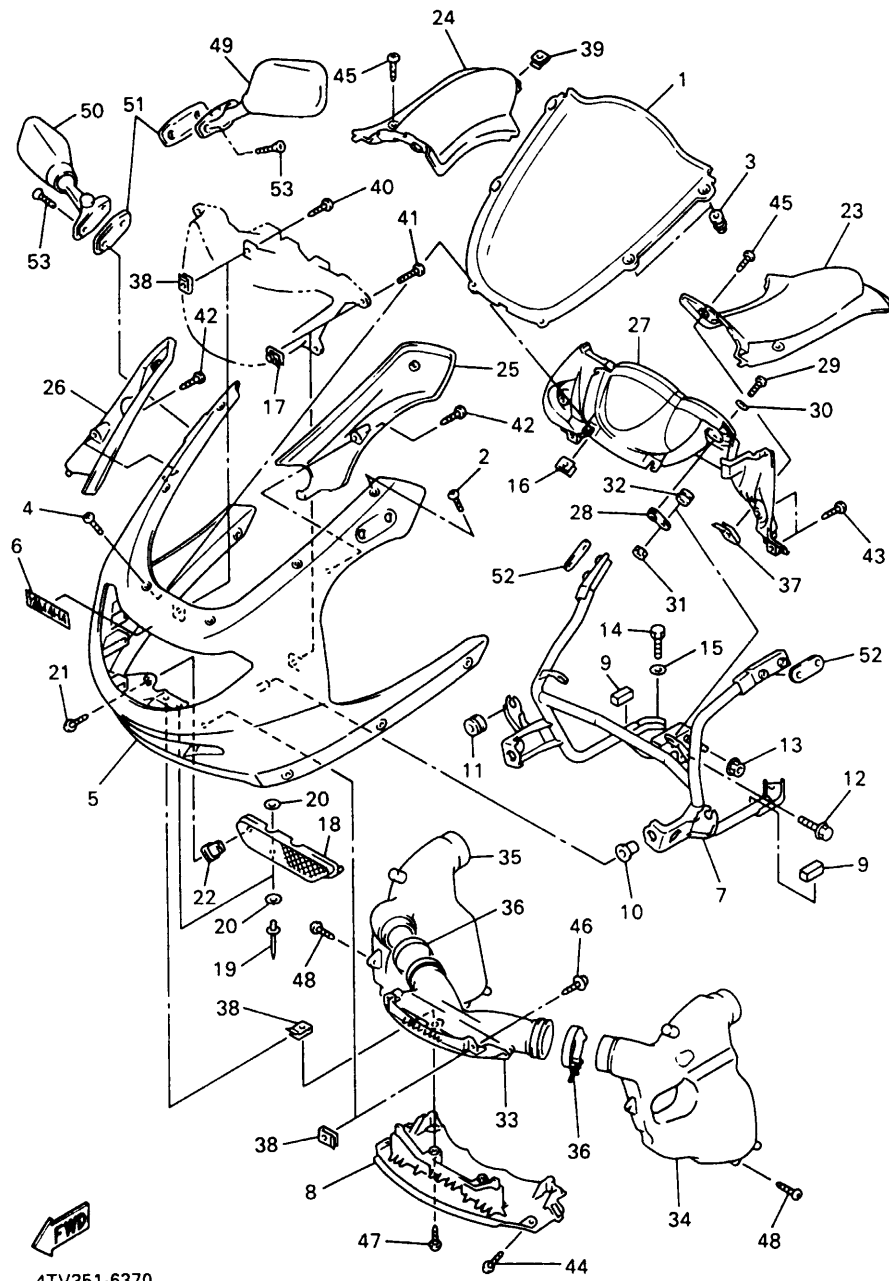


4TV351-6370

Ref. No.	Part Number	Description	Qty	Remarks
24	4TV-2836L-00-00	PANEL, INNER 2	1	
25	4TV-2836M-00-00	PANEL, INNER 3	1	
26	4TV-2836N-00-00	PANEL, INNER 4	1	
27	4TV-2836R-00-00	PANEL, INNER 5	1	
28	4TV-2833A-00-00	BRACET 7	2	
29	98507-05012-00	SCREW, PAN HEAD	2	
30	92907-05600-00	WASHER, PLATE	2	
31	95307-06600-00	NUT	2	
32	90480-14585-00	GROMMET	2	
33	4TV-2838N-00-00	DUCT 1	1	
34	4TV-2838R-00-00	DUCT 2	1	
35	4TV-2838T-00-00	DUCT 3	1	
36	4TV-13575-00-00	BAND	2	
37	90183-05042-00	NUT, SPRING	2	
38	90183-05042-00	NUT, SPRING	7	
39	90183-05042-00	NUT, SPRING	2	
40	97707-50016-00	SCREW, TAPPING	1	
41	90159-05065-00	SCREW, WITH WASHER	4	
42	90167-05077-00	SCREW, TAPPING	4	
43	90167-05078-00	SCREW, TAPPING	4	
44	97704-50016-00	SCREW, TAPPING	2	
45	90167-05077-00	SCREW, TAPPING	6	
46	90167-05015-00	SCREW, TAPPING	2	
47	90167-05077-00	SCREW, TAPPING	2	
48	97707-50016-00	SCREW, TAPPING	6	
49	4FM-26280-10-00	REAR VIEW MIRROR ASSY (LEFT)	1	BLACK
50	4FM-26290-10-00	REAR VIEW MIRROR ASSY (RIGHT)	1	BLACK

CONTINUED ON NEXT FRAME ►

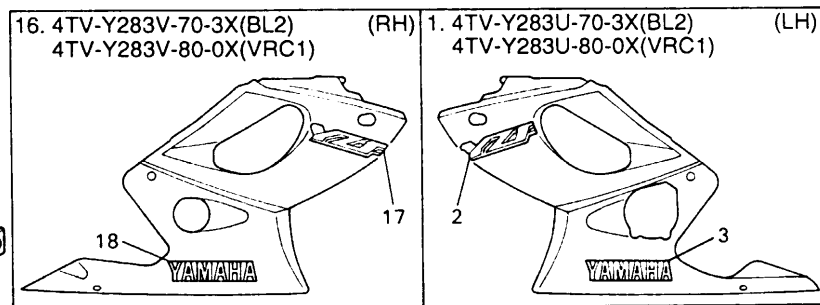
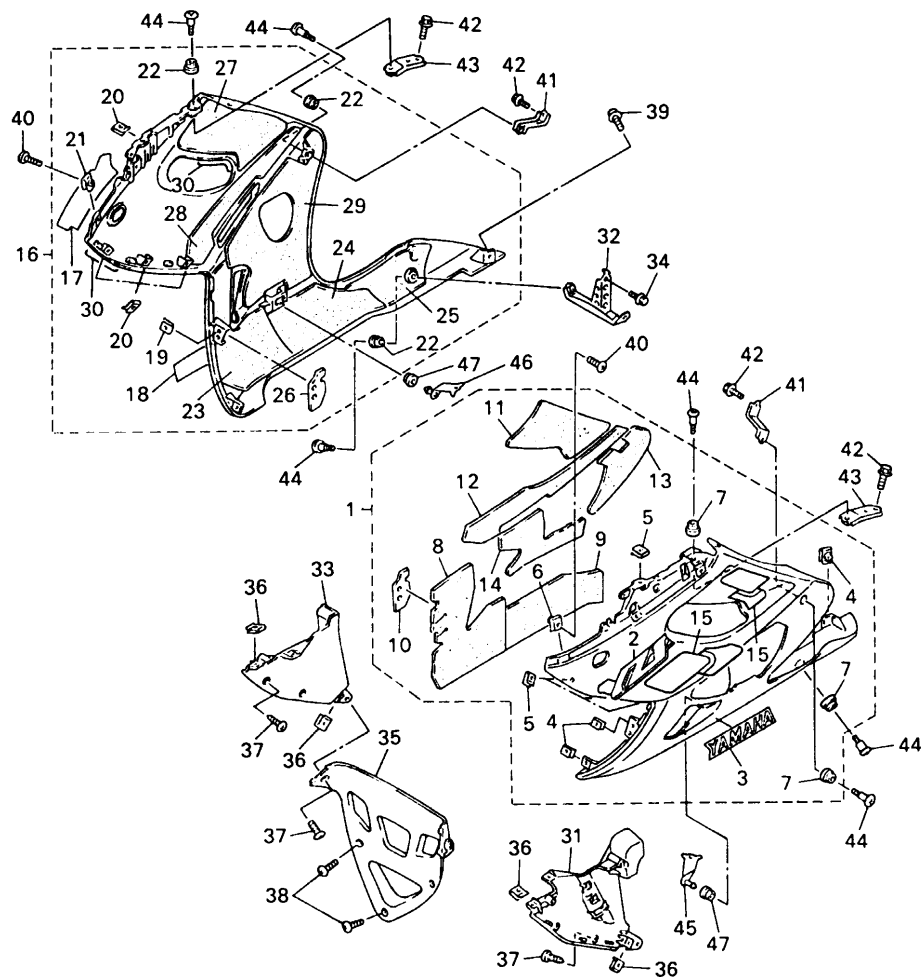
COWLING 1



4TV351-6370

Ref. No.	Part Number	Description	Qty	Remarks
51	4FM-26299-00-00	PLATE, MIRROR FITTING 2 ...	2	
52	3XV-26298-00-00	PLATE, MIRROR FITTING 1 ...	2	
53	90151-06061-00	SCREW, COUNTERSUNK	4	

COWLING 2

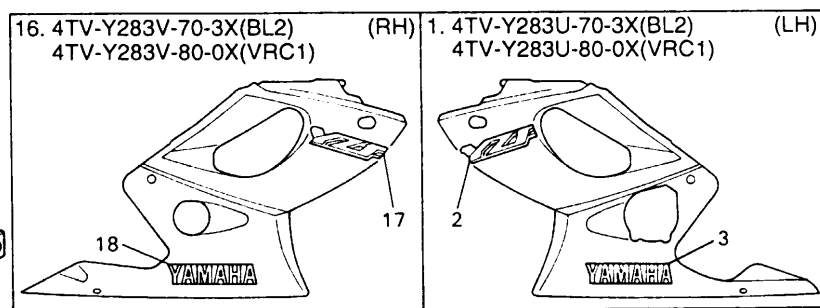
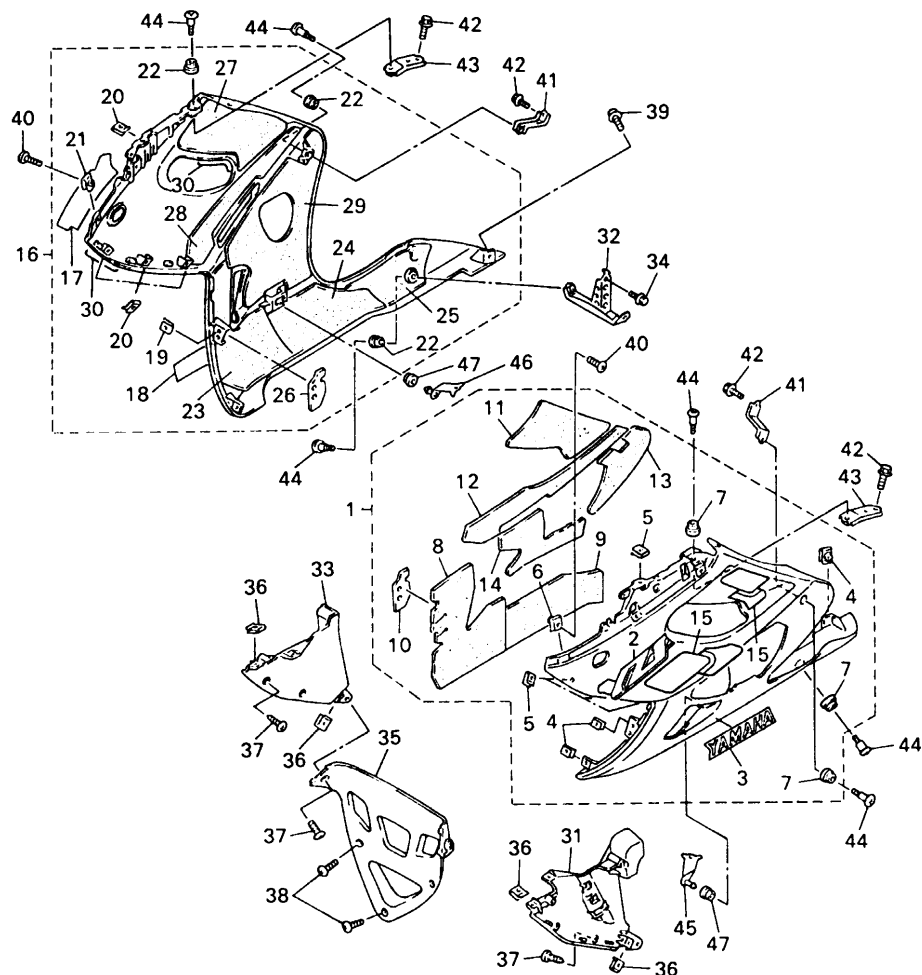


5AH110-7380

Ref. No.	Part Number	Description	Qty	Remarks
1	4TV-Y283U-60-P3	PANEL ASSEMBLY 1	1	UR DPBMC FOR DPBMC
	4TV-Y283U-70-3X	PANEL ASSEMBLY 1	1	UR BL2/SS FOR BL2
	4TV-Y283U-80-0X	PANEL ASSEMBLY 1	1	UR VRC1/BWC1 FOR VRC1
2	4WF-28391-40-00	. GRAPHIC 1	1	UR FOR DPBMC
	4WF-28391-30-00	. GRAPHIC 1	1	UR FOR BL2
	4WF-28391-00-00	. GRAPHIC 1	1	UR FOR VRC1
3	99231-00280-00	. EMBLEM, YAMAHA	1	UR FOR DPBMC
	99234-00280-00	. EMBLEM, YAMAHA	1	
4	90183-05074-00	. NUT, SPRING	3	
5	90183-05042-00	. NUT, SPRING	4	
6	90183-05073-00	. NUT, SPRING	3	
7	90480-13398-00	. GROMMET	3	
8	4TV-2848L-03-00	. SEAT 3	1	
9	4TV-2848N-02-00	. SEAT 5	1	
10	4TV-2848R-00-00	. SEAT 7	1	
11	4TV-28227-00-00	. DAMPER 2	1	
12	4TV-2834F-00-00	. DAMPER	1	
13	4TV-2837J-00-00	. DAMPER 5	1	
14	4TV-2837K-00-00	. DAMPER 6	1	
15	5AH-28301-00-00	. GRAPHIC SET, LOWER COVER 1	1	FOR DPBMC
16	4TV-Y283V-60-P3	PANEL ASSEMBLY 2	1	UR DPBMC FOR DPBMC
	4TV-Y283V-70-3X	PANEL ASSEMBLY 2	1	UR BL2/SS FOR BL2
	4TV-Y283V-80-0X	PANEL ASSEMBLY 2	1	UR VRC1/BWC1 FOR VRC1
17	4WF-28392-40-00	. GRAPHIC 2	1	UR FOR DPBMC
	4WF-28392-30-00	. GRAPHIC 2	1	UR FOR BL2

CONTINUED ON NEXT FRAME ►

COWLING 2

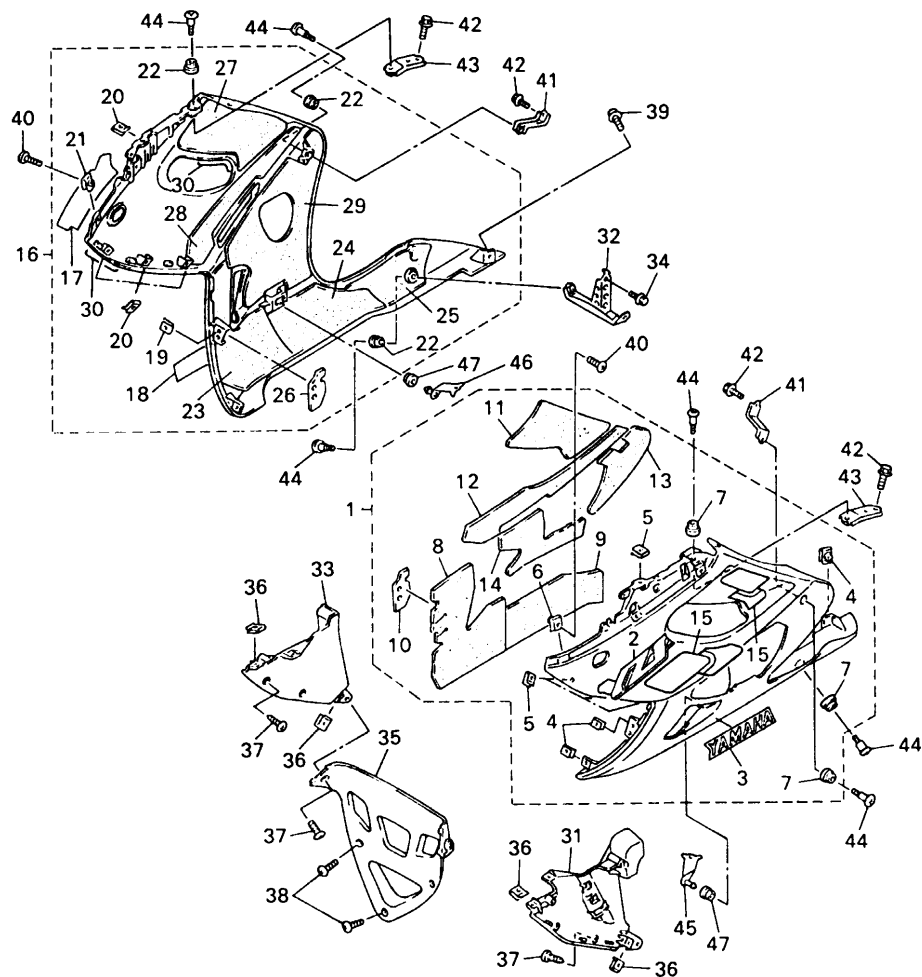


5AH110-7380

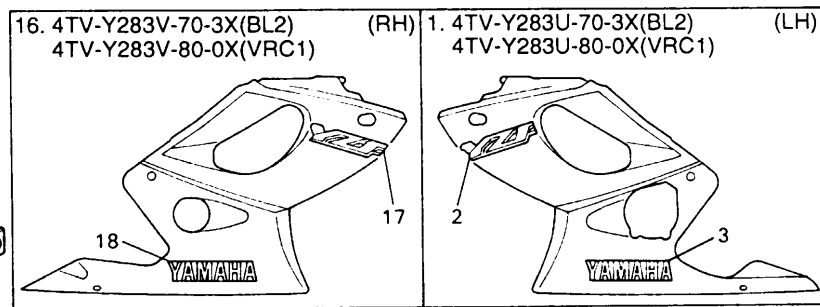
Ref. No.	Part Number	Description	Qty	Remarks
17	4WF-28392-00-00	. GRAPHIC 2	1	UR FOR VRC1
18	99231-00280-00	. EMBLEM, YAMAHA	1	UR FOR DPBMC
	99234-00280-00	. EMBLEM, YAMAHA	1	
19	90183-05074-00	. .NUT, SPRING	1	
20	90183-05042-00	. NUT, SPRING	4	
21	90183-05073-00	. NUT, SPRING	3	
22	90480-13398-00	. GROMMET	3	
23	4TV-2848K-03-00	. SEAT 2	1	
24	4TV-2848M-02-00	. SEAT 4	1	
25	4TV-2848H-00-00	. SEAT	1	
26	4TV-2848P-00-00	. SEAT 6	1	
27	4TV-28217-00-00	. DAMPER 1	1	
28	4TV-2834E-00-00	. DAMPER	1	
29	4TV-28371-00-00	. DAMPER	1	
30	5AH-28303-00-00	. GRAPHIC SET, LOWER COVER 2	1	FOR DPBMC
31	4TV-2835J-00-4B	BODY, FRONT LOWER 1	1	UR BL2
	4TV-2835J-00-P0	BODY, FRONT LOWER 1	1	UR VRC1
	4TV-2835J-00-P3	BODY, FRONT LOWER 1	1	UR DPBMC
32	4JH-2831T-00-00	STAY, SUPPORT 1	1	
33	4TV-2835K-00-4B	BODY, FRONT LOWER 2	1	UR BL2
	4TV-2835K-00-P0	BODY, FRONT LOWER 2	1	UR VRC1
	4TV-2835K-00-P3	BODY, FRONT LOWER 2	1	UR DPBMC
34	95807-06010-00	BOLT, FLANGE	1	
35	4TV-28385-00-4B	COVER, LOWER	1	UR BL2
	4TV-28385-00-P0	COVER, LOWER	1	UR VRC1
	4TV-28385-00-P3	COVER, LOWER	1	UR DPBMC
36	90183-05042-00	NUT, SPRING	4	
37	97704-50016-00	SCREW, TAPPING	8	

CONTINUED ON NEXT FRAME ►

COWLING 2

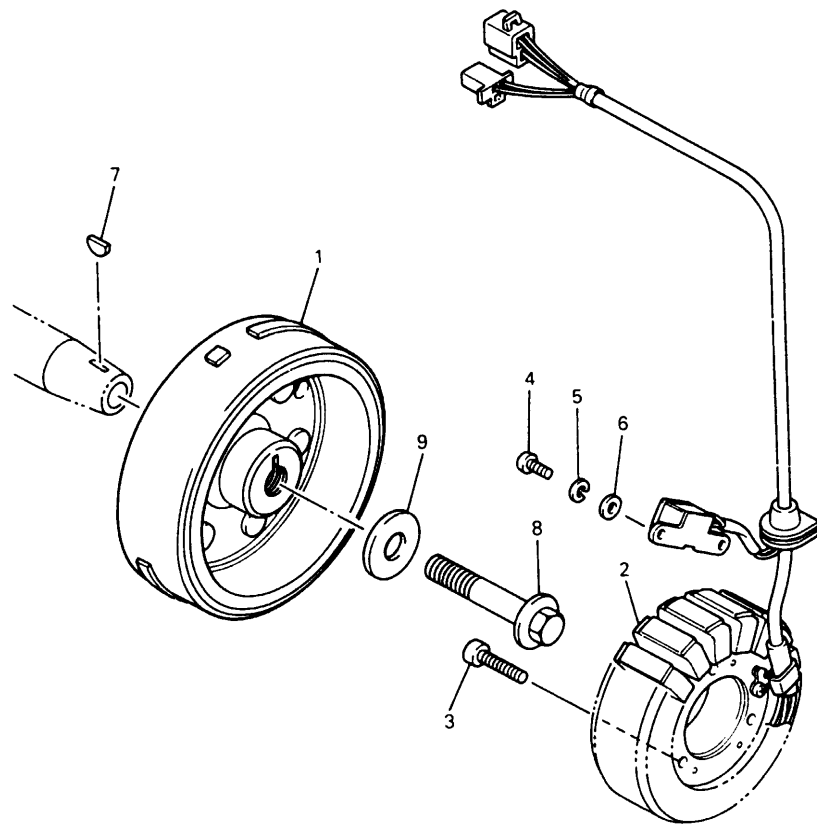


Ref. No.	Part Number	Description	Qty	Remarks
38	90154-05059-00	SCREW, BINDING	3	
39	90159-05065-00	SCREW, WITH WASHER	1	
40	90154-05059-00	SCREW, BINDING	6	
41	4JH-2832U-00-00	STAY, SIDE 1	2	
42	95807-06010-00	BOLT, FLANGE	4	
43	4TV-2836H-00-00	BRACKET 5	2	
44	90150-06036-00	SCREW, ROUND HEAD	6	
45	4JH-2836F-00-00	BRACKET 2	1	
46	4JH-2836G-00-00	BRACKET 4	1	
47	90480-01531-00	GROMMET	2	



5AH110-7380

GENERATOR

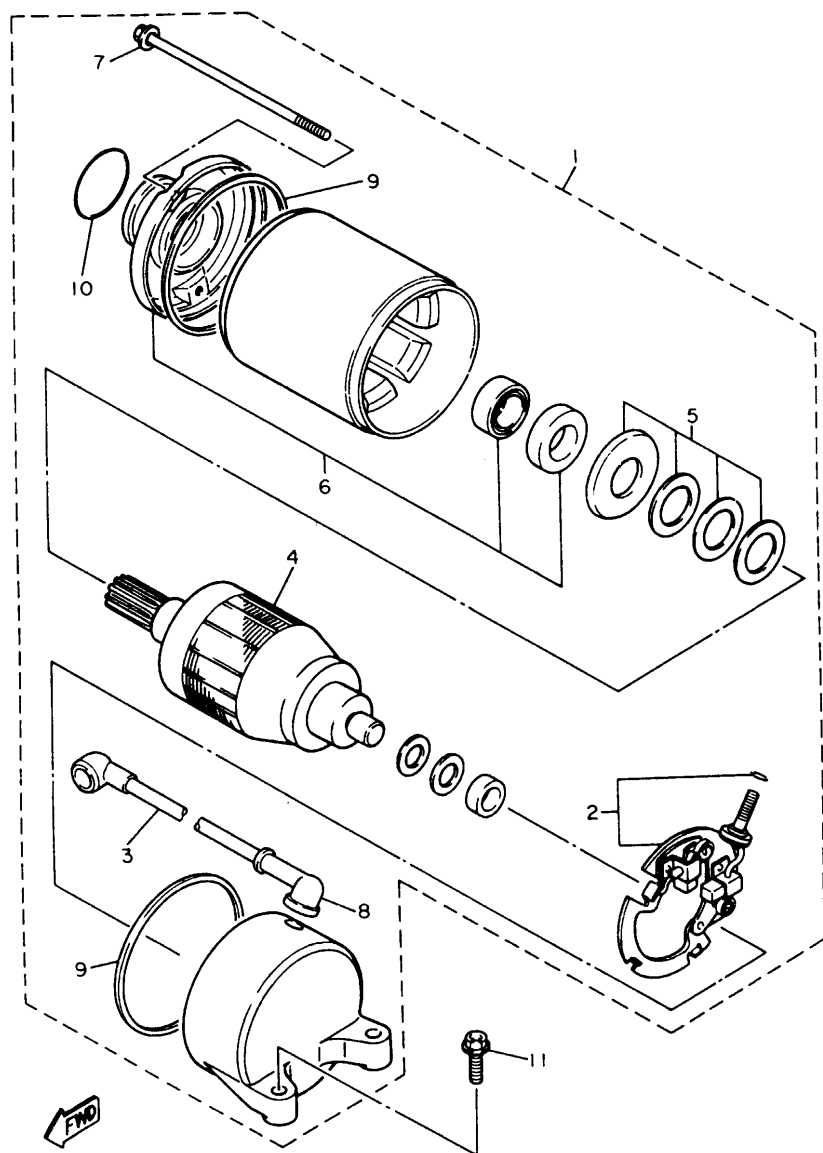


Ref. No.	Part Number	Description	Qty	Remarks
1	4TV-81450-00-00	ROTOR ASSY	1	
2	4TV-81410-00-00	STATOR ASSY	1	
3	92017-06030-00	BOLT, BUTTON HEAD	3	
4	98507-05016-00	SCREW, PAN HEAD	2	
5	92907-05600-00	WASHER, PLATE	2	
6	90201-05027-00	WASHER, PLATE	2	
7	90280-03047-00	KEY, WOODRUFF	1	
8	90105-12584-00	BOLT, FLANGE	1	
9	90201-121H0-00	WASHER, PLATE	1	



4JH351-4390

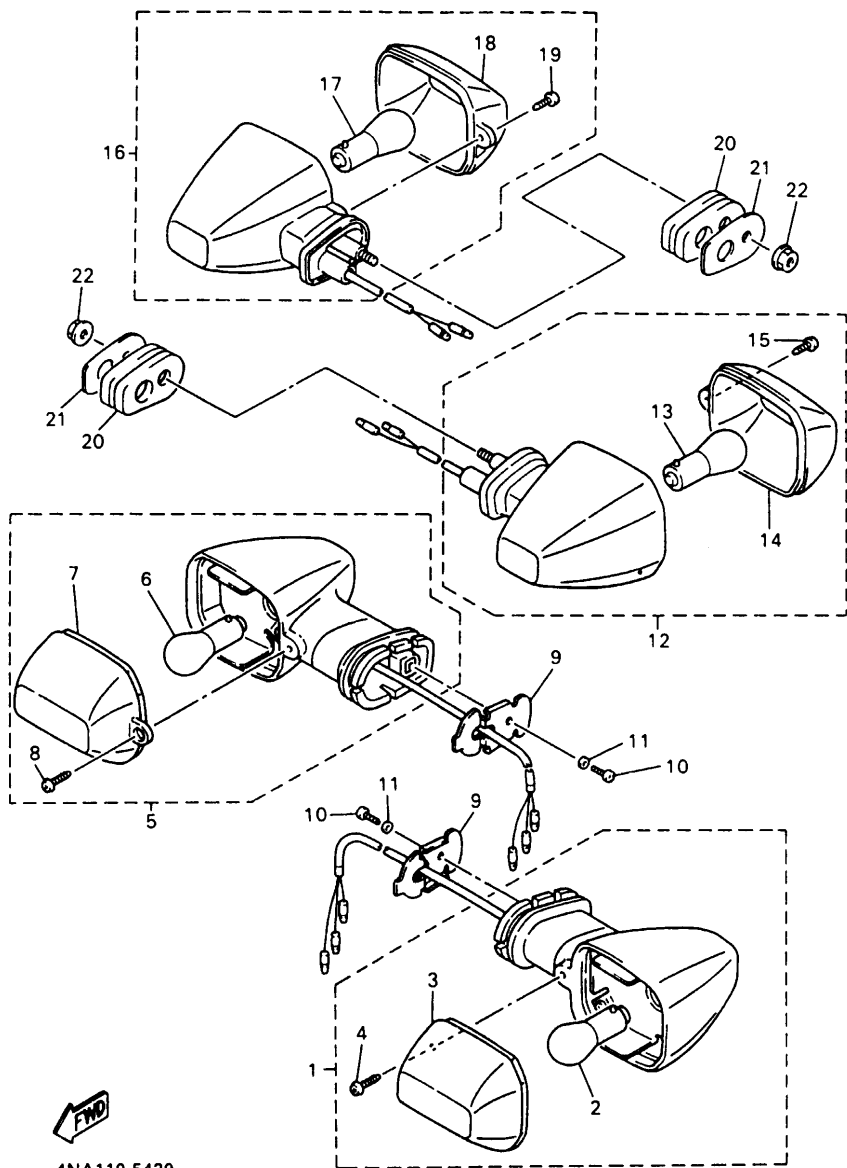
STARTING MOTOR



3HE332-9400

Ref. No.	Part Number	Description	Qty	Remarks
1	3HE-81800-00-00	STARTING MOTOR ASSEMBLY	1	
2	3HE-81840-00-00	. BRUSH HOLDER ASSY	1	
3	1HX-81815-00-00	. CORD, STARTER MOTOR	1	
4	3HE-81850-00-00	. ARMATURE ASSY	1	
5	3AJ-81809-00-00	. .WASHER KIT	1	
6	3HE-81830-00-00	. FRONT BRACKET ASSY	1	
7	3HE-81826-00-00	. BOLT	1	
8	4G0-81871-00-00	. CAP	1	
9	11H-81844-00-00	. .GASKET	2	
10	1FK-81847-00-00	. .O-RING	1	
11	95027-06025-00	BOLT, FLANGE	2	

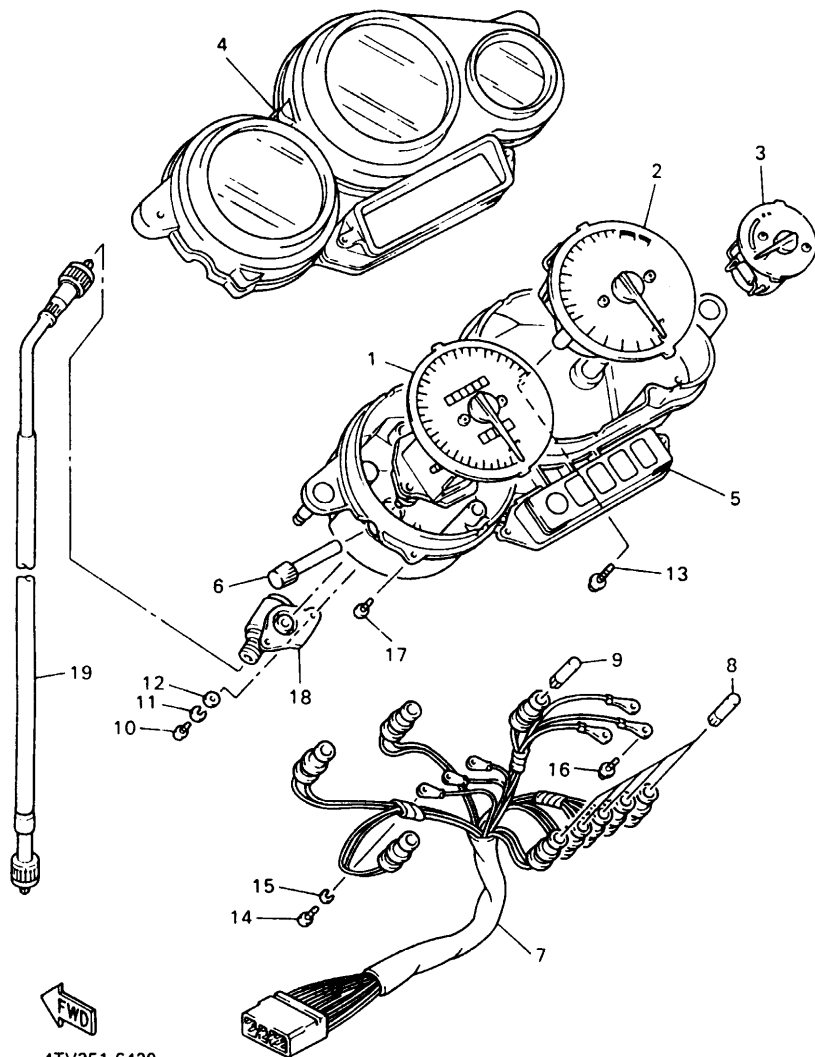
FLASHER LIGHT



4NA110-5420

Ref. No.	Part Number	Description	Qty	Remarks
1	4JH-83310-11-00	FRONT FLASHER LIGHT ASSY 1	1	
2	256-84714-61-00	..BULB (12V-27/8W)	1	
3	4JH-83332-10-00	..LENS, FLASHER	1	
4	97702-40610-00	..SCREW, TAPPING	1	
5	4JH-83320-11-00	FRONT FLASHER LIGHT ASSY 2	1	
6	256-84714-61-00	..BULB (12V-27/8W)	1	
7	4JH-83342-10-00	..LENS, FLASHER 2	1	
8	97702-40610-00	..SCREW, TAPPING	1	
9	4JH-83318-00-00	STAY, FLASHER 1	2	
10	98507-04008-00	..SCREW, PAN HEAD	2	
11	92907-04600-00	WASHER	2	
12	4JH-83330-20-00	REAR FLASHER LIGHT ASSY 1	1	
13	256-83311-70-00	..BULB (12V-27W)	1	
14	4JH-83332-10-00	..LENS, FLASHER	1	
15	97702-40610-00	..SCREW, TAPPING	1	
16	4JH-83340-20-00	FLASHER LIGHT ASSY 2	1	
17	256-83311-70-00	..BULB (12V-27W)	1	
18	4JH-83342-10-00	..LENS, FLASHER 2	1	
19	97702-40610-00	..SCREW, TAPPING	1	
20	4FM-83345-00-00	PLUG, BLIND	2	
21	4FM-83369-00-00	STAY, FLASHER 2	2	
22	95707-06500-00	NUT, FLANGE	2	

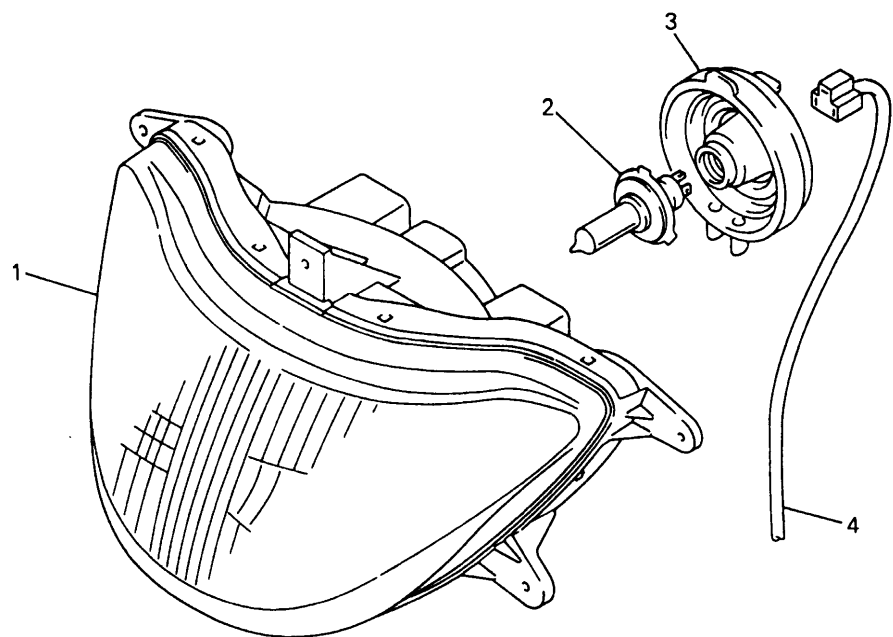
METER



4TV351-6420

Ref. No.	Part Number	Description	Qty	Remarks
1	4SV-83570-10-00	SPEEDOMETER ASSEMBLY ..	1	
2	4TV-83540-00-00	TACHOMETER ASSY	1	
3	4SV-83590-00-00	WATER TEMPERATURE ASSY	1	
4	4FM-83559-00-00	COVER, METER	1	
5	4FM-8353H-40-00	CASE, UNDER	1	
6	4SV-83578-00-00	KNOB, TRIP METER	1	
7	4TV-83509-00-00	SOCKET CORD ASSY	1	
8	4R0-83517-00-00	BULB (12V-3.4W T10)	5	
9	3GM-83517-00-00	BULB (12V-1.7W, T10)	4	
10	98507-04010-00	.SCREW, PAN HEAD	4	
11	92907-04100-00	.WASHER, SPRING	4	
12	92907-04600-00	WASHER	4	
13	4NX-83546-00-00	BOLT	2	
14	98507-03010-00	.SCREW, PAN HEAD	3	
15	92907-03100-00	.WASHER	3	
16	90159-03102-00	SCREW, WITH WASHER	3	
17	90164-04006-00	TAPPING SCREW	5	
18	4FM-83520-00-00	SOCKET CORD ASSY	1	
19	4TV-83550-00-00	SPEEDOMETER CABLE ASSY	1	

HEADLIGHT

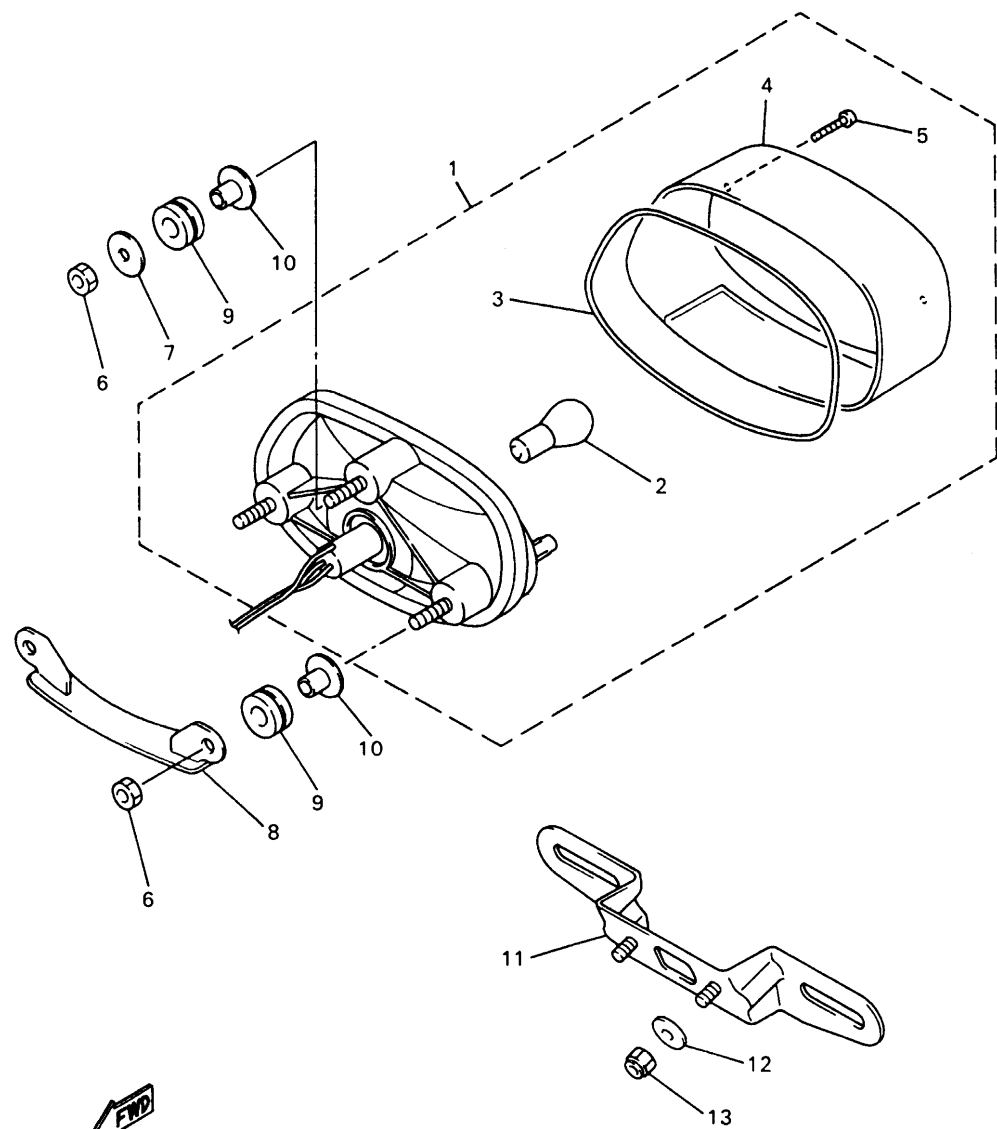


Ref. No.	Part Number	Description	Qty	Remarks
1	4TV-84310-20-00	HEADLIGHT UNIT ASSY	1	
2	4K0-84314-G0-00	BULB (12V 60/55W HALOGEN)	1	LM
3	4TV-84397-00-00	COVER, SOCKET	1	
4	4WF-84359-00-00	CORD, HEADLIGHT	1	



4WF171-6440

TAILLIGHT

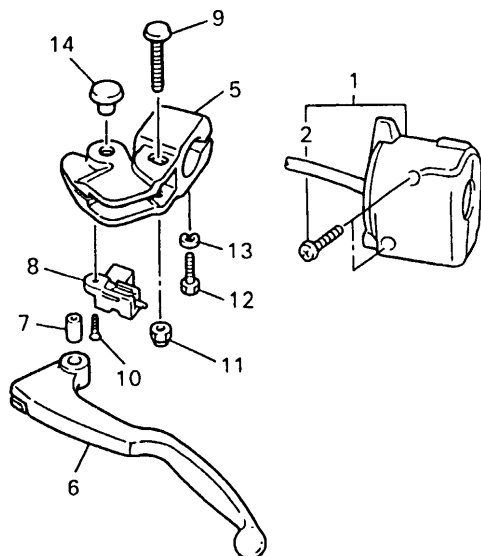
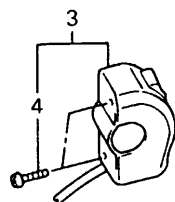


Ref. No.	Part Number	Description	Qty	Remarks
1	4TV-84700-00-00	TAILLIGHT ASSY	1	
2	256-84714-60-00	.BULB (12V-21/5W)	1	
3	4TR-84723-00-00	.GASKET, TAIL LENS	1	
4	4TR-84733-00-00	.LENS, TAILLIGHT	1	
5	97706-40620-00	.SCREW, TAPPING	2	
6	95307-06600-00	NUT	3	
7	90201-06071-00	WASHER, PLATE	1	
8	4WF-84716-00-00	COVER, TAILLIGHT	1	
9	90480-18276-00	GROMMET	3	
10	90387-062W4-00	COLLAR	3	
11	4TV-84751-00-00	BRACKET, LICENSE	1	
12	90201-06380-00	WASHER, PLATE	2	
13	95607-06100-00	.NUT, U	2	



4WF171-6450

HANDLE SWITCH LEVER

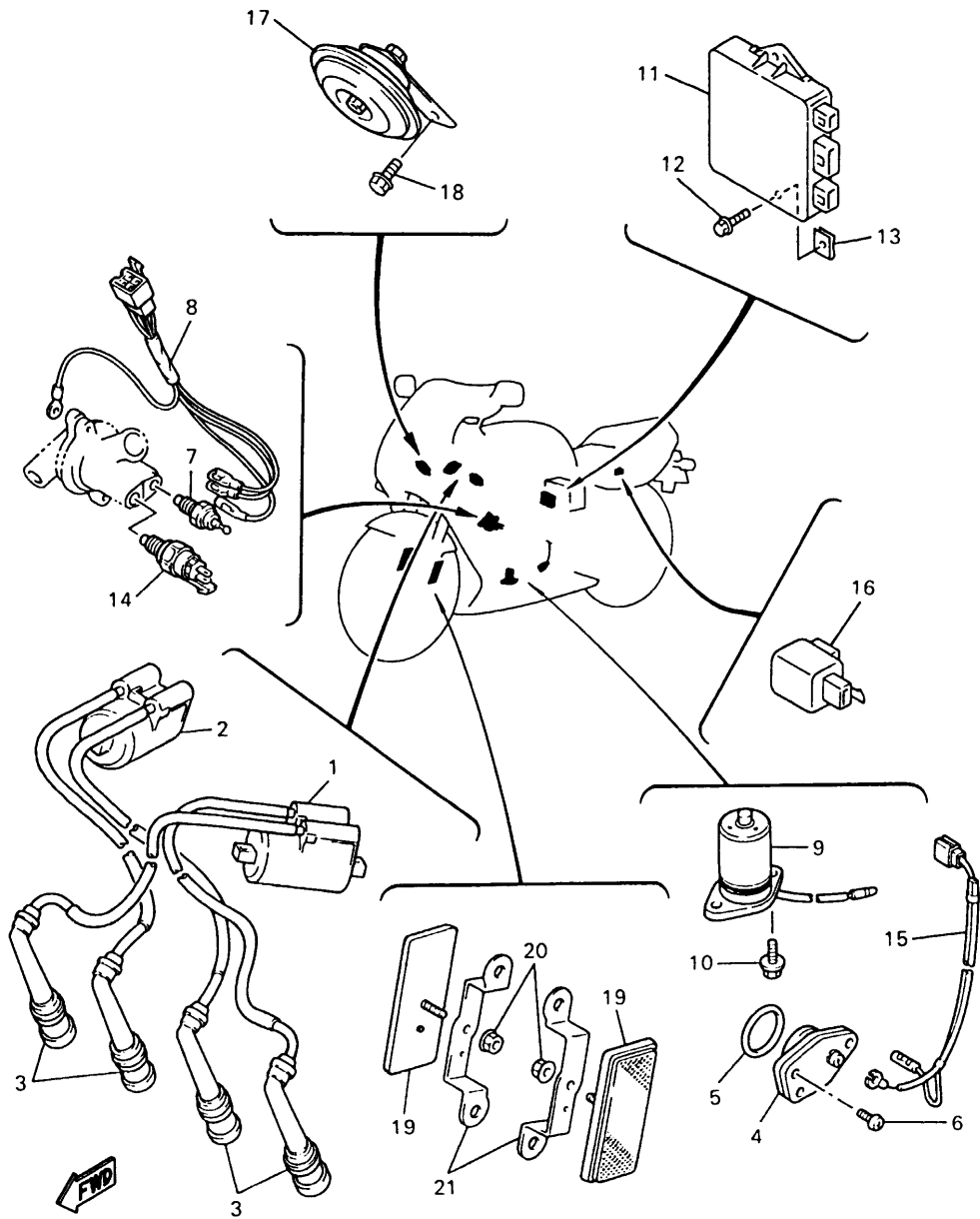


Ref. No.	Part Number	Description	Qty	Remarks
1	4WF-83973-00-00	SWITCH, HANDLE 3	1	
2	98507-05025-00	. SCREW, PAN HEAD	2	
3	4WN-83975-00-00	SWITCH, HANDLE 2	1	
4	98507-05018-00	. .SCREW, PAN HEAD	2	
5	29L-82911-01-00	HOLDER, LEVER 1	1	
6	3LN-83912-00-00	LEVER 1	1	
7	31A-83913-00-00	COLLAR, LEVER 1	1	
8	31A-82917-00-00	SWITCH	1	
9	31A-83945-00-00	BOLT, LEVER	1	
10	98707-03008-00	SCREW, FLAT HEAD	1	
11	95607-06100-00	.NUT, U	1	
12	97007-06025-00	BOLT	1	
13	92907-06100-00	WASHER, SPRING	1	
14	90338-09012-00	PLUG	1	



5AH110-7450

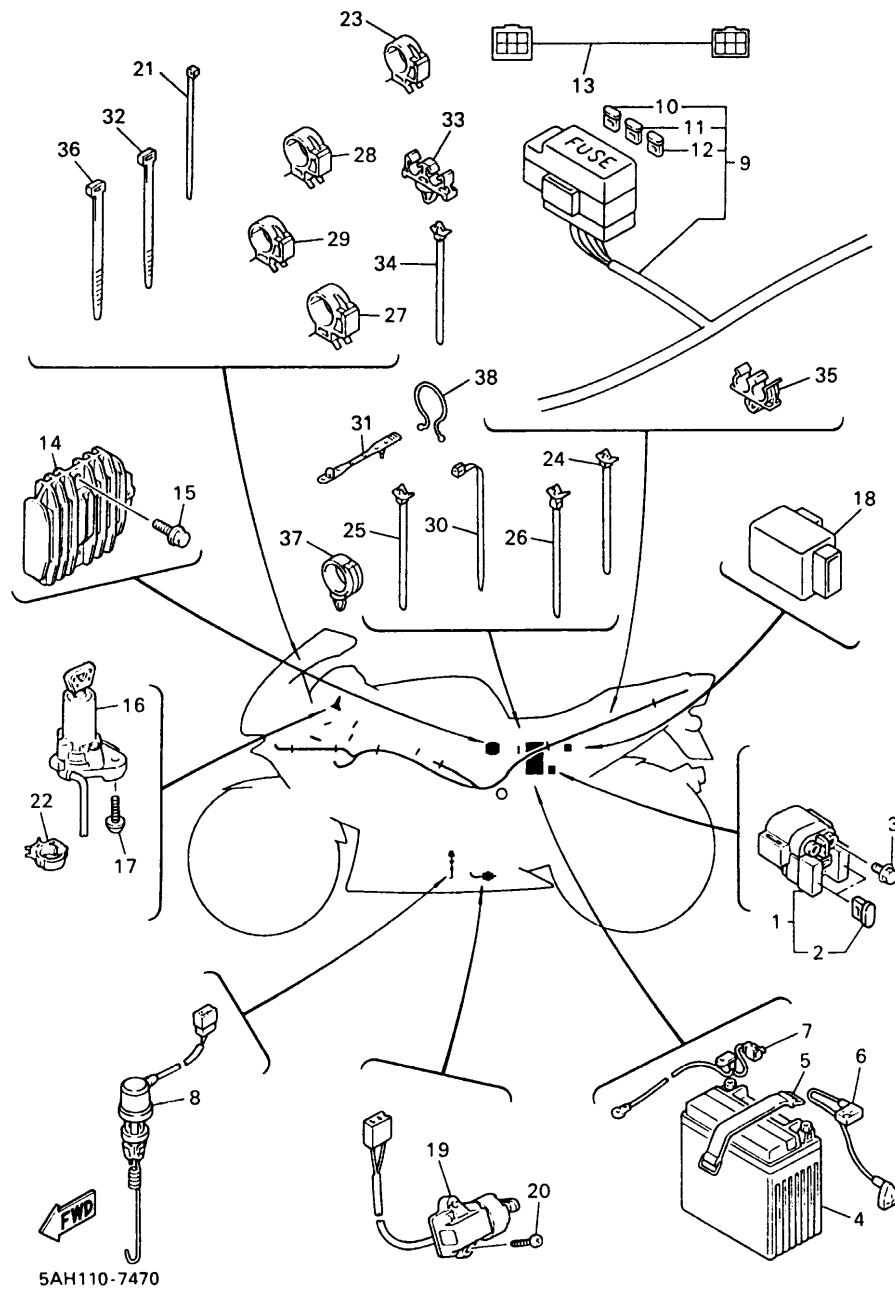
ELECTRICAL 1



5AH110-7460

Ref. No.	Part Number	Description	Qty	Remarks
1	4TV-82310-01-00	IGNITION COIL ASSY	1	
2	4FM-82320-01-00	IGNITION COIL ASSY	1	
3	4TV-82370-00-00	PLUG CAP ASSY	4	
4	1AE-82540-00-00	NEUTRAL SWITCH ASSY	1	
5	93210-29196-00	O-RING	1	
6	98507-06016-00	SCREW, PAN HEAD	2	
7	11H-83591-00-00	THERMO UNIT	1	
8	3TJ-82583-00-00	WIRE, SUB LEAD	1	
9	4JH-85720-00-00	OIL LEVEL GAUGE ASSEMBLY	1	
10	95027-06016-00	BOLT, FLANGE	2	
11	4TV-82305-50-00	IGNITOR UNIT ASSY	1	
12	95027-06020-00	BOLT, FLANGE	1	
13	90183-06023-00	NUT, SPRING	1	
14	3LN-82560-01-00	THERMOSWITCH ASSY	1	
15	1WG-82541-00-00	WIRE, LEAD	1	
16	4MY-83350-01-00	FLASHER RELAY ASSY	1	
17	4TH-83371-00-00	HORN	1	
18	95807-06012-00	BOLT, FLANGE	1	
19	11H-85110-01-00	REFLECTOR ASSY	2	
20	95707-05500-00	NUT, FLANGE	2	
21	4SV-85112-00-00	BRACKET, REFLECTOR 1	2	

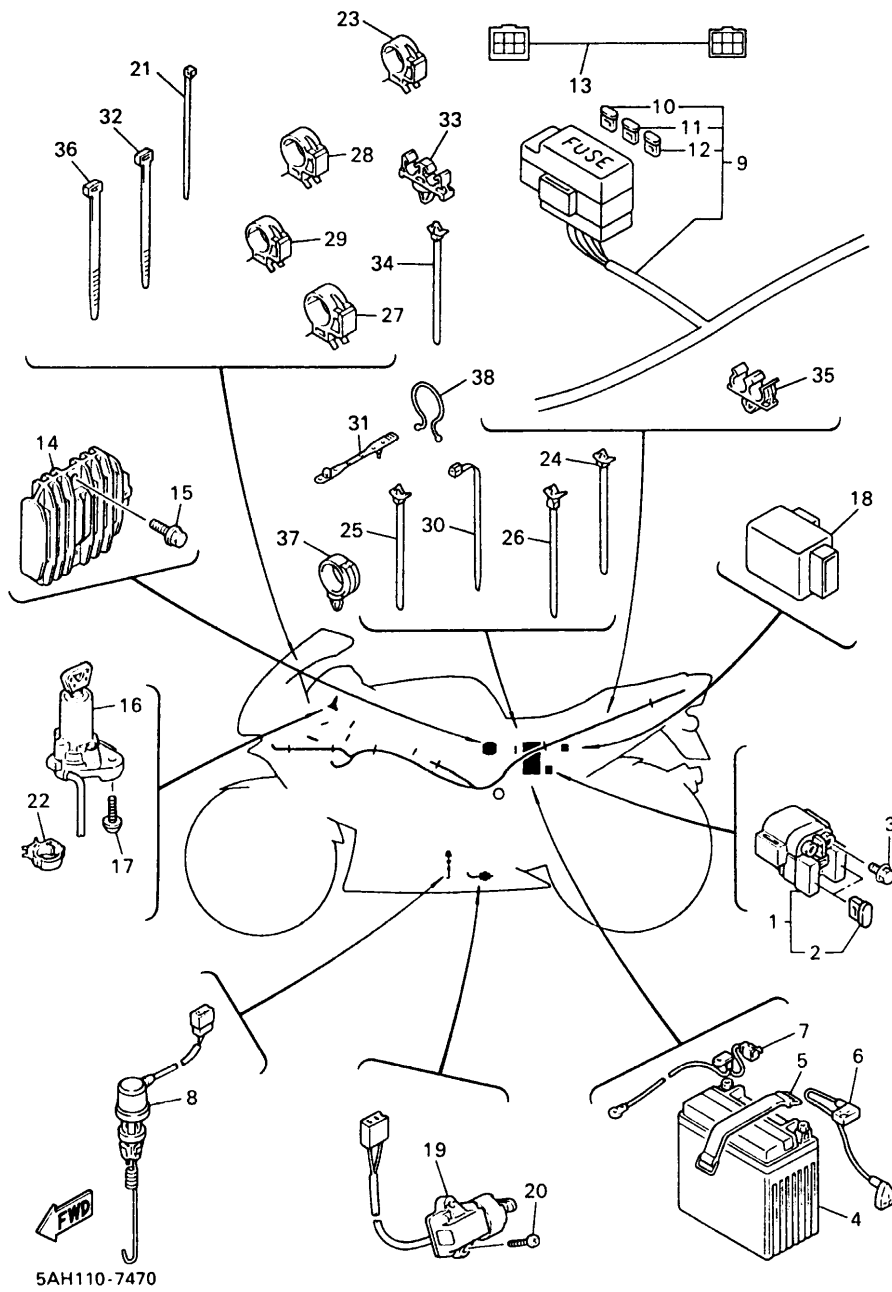
ELECTRICAL 2



Ref. No.	Part Number	Description	Qty	Remarks
1	4DN-81940-00-00	STARTER RELAY ASSY	1	
2	1AE-82151-00-00	. . FUSE (30A-BL)	2	
3	95027-06008-00	BOLT, FLANGE	2	
4	BTY-YTX12-BS-00	BATTERY ASSY (YTX12-BS)	1	
5	2T4-82131-00-00	BAND, BATTERY	1	
6	4JH-82115-00-00	WIRE, PLUS LEAD	1	
7	4JH-82116-00-00	WIRE, MINUS LEAD	1	
8	1KT-82530-03-00	STOP SWITCH ASSY	1	
9	4WF-82590-00-00	WIRE HARNESS ASSY	1	
10	2GH-82151-00-00	. . FUSE (20A-BL)	2	
11	2KW-82151-00-00	. FUSE (7.5A-BL)	3	
12	36Y-82151-00-00	. . FUSE (15A-BL)	1	
13	4TV-82509-00-00	WIRE, SUB LEAD	1	
14	4JH-81960-01-00	RECTIFIER & REGULATOR ASSY	1	
15	95807-06020-00	BOLT, FLANGE	2	
16	4NA-82501-01-00	MAIN SWITCH STEERING LOCK	1	
17	90109-080G5-00	BOLT	2	
18	4TV-81950-00-00	RELAY ASSY	1	
19	3LD-82566-50-00	SWITCH, SIDE STAND	1	
20	90157-05079-00	SCREW, PAN HEAD	2	
21	90464-13073-00	CLAMP	2	
22	90464-15192-00	CLAMP	1	
23	90464-10190-00	CLAMP	5	
24	90464-12089-00	CLAMP	1	
25	90464-12089-00	CLAMP	2	
26	90464-10112-00	CLAMP	1	
27	90464-25217-00	CLAMP	1	

CONTINUED ON NEXT FRAME ►

ELECTRICAL 2



Ref. No.	Part Number	Description	Qty	Remarks
28	90464-15192-00	CLAMP	2	
29	90464-10190-00	CLAMP	1	
30	90464-15195-00	CLAMP	4	
31	90464-07121-00	CLAMP	2	
32	1UA-82591-00-00	BAND	1	
33	90464-08211-00	CLAMP	2	
34	90464-12089-00	CLAMP	2	
35	90464-08126-00	CLAMP	1	
36	25G-83936-01-00	BAND, SWITCH CORD	1	
37	90464-20181-00	CLAMP	1	
38	90464-16039-00	CLAMP	1	